

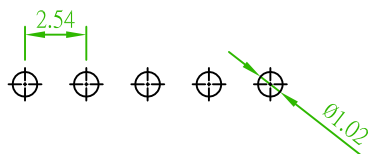
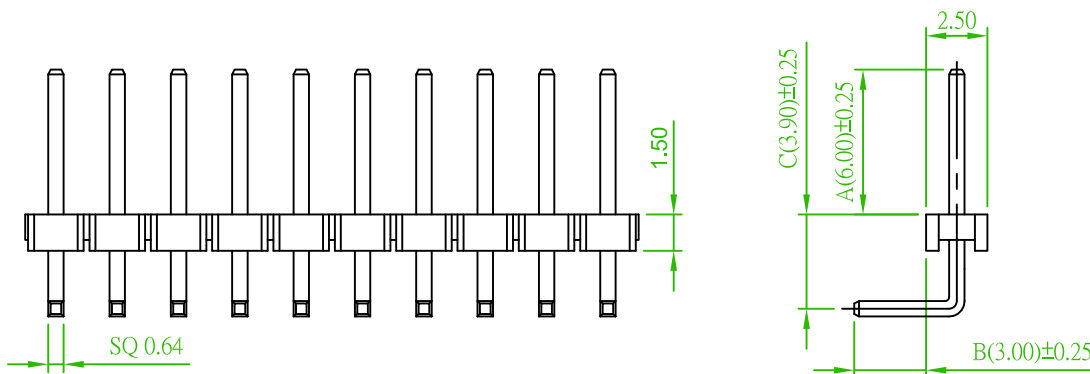
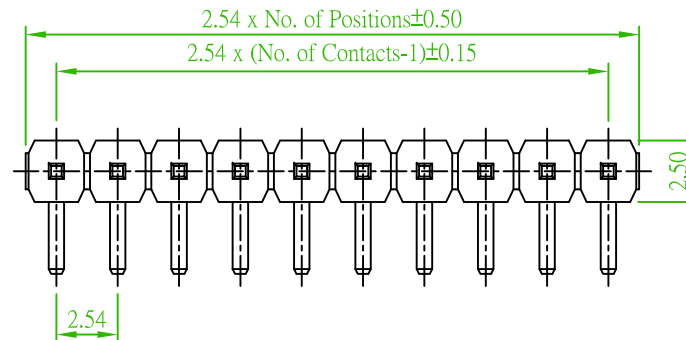
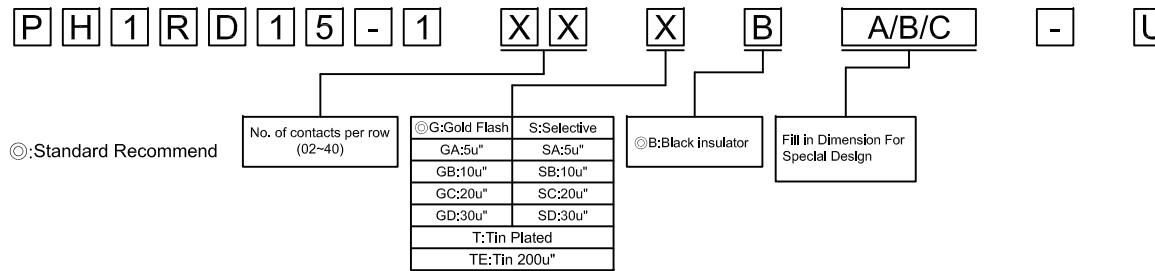
SPECIFICATION

Current Rate:3 AMP
 Insulation Resistance:1000M Ω Min.
 Contact Resistance:20m Ω Max.
 Dielectric voltage:1000V AC for one minute
 Operation Temperature:-40 °C to +105 °C

MATERIAL

Insulator:High Temperature Thermoplastic,UL 94V-0
 Terminal::Copper Alloy

ORDER INFORMATION



Recommended PCB Layout
 (PCB TOLERANCE ±0.05)

AREA	REV.	DESCRIPTION	DATE

糧德精密有限公司
 Amtek Technology Co., Ltd.
 TEL:886-2-2268-8036
 FAX:886-2-2268-8035

品名 TITLE	PIN HEADER 2.54mm RIGHT ANGLE TYPE PLASTIC HEIGHT 1.5mm				
品號 PART NO.	PH1RD15-1XX-U			日期 DATE	2012/08/20
圖號 DRAWING NO.	PH1RD15-1XX-U	版本 REV.	A	繪圖 DRAWN	Jeff
客戶品號 CUSTOMER P/N		比例 SCALE	FREE	核對 CHECKED	Sharron
公差 TOLERANCE	.X ±0.35 .XX ±0.25	單位 UNIT	mm	核准 APPROVED	John