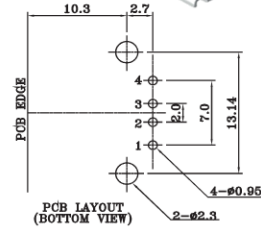
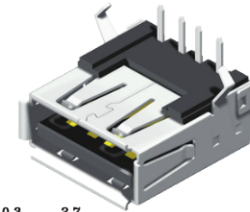
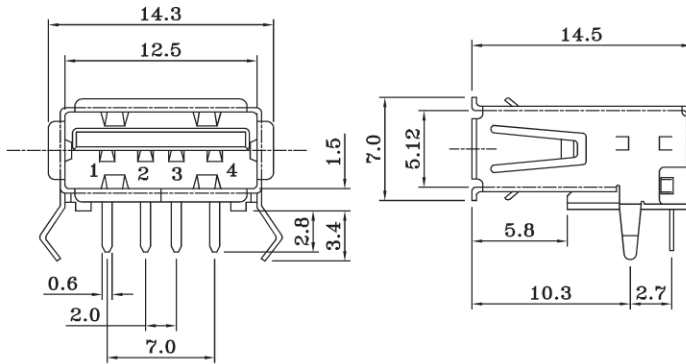


## USB A Type Female Dip 90° 4P



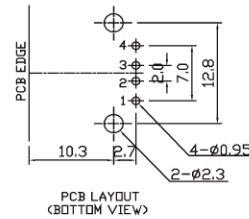
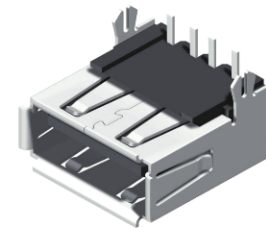
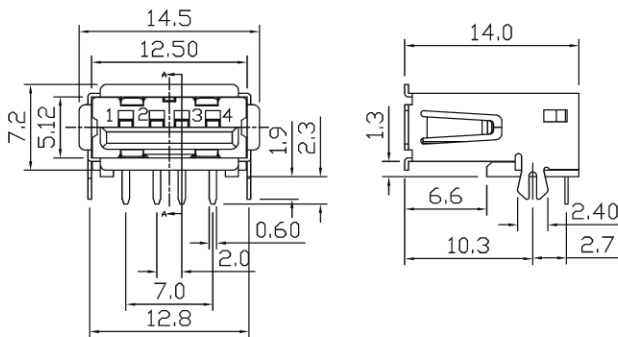
No.	Name	Q'ty	Material	Remarks & Thickness	Finish
1	Housing	1	PBT G.F.		White/Black
2	Pin Term.	4	Copper Alloy T:0.25	Gold:1-3 $\mu$ m; Ni:40-60; Tin:120 $\mu$ m (100% Pure Tin of Lead Free Plating)	Gold/Tin Plating

P/N.:5US2A01RF-104S0XLAN1

Old P/N:USB-001-AX-L

B:Black W:White

## USB A Type Female Reverse Dip 90° 4P



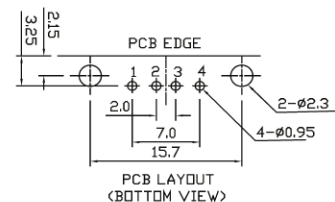
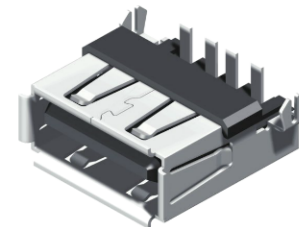
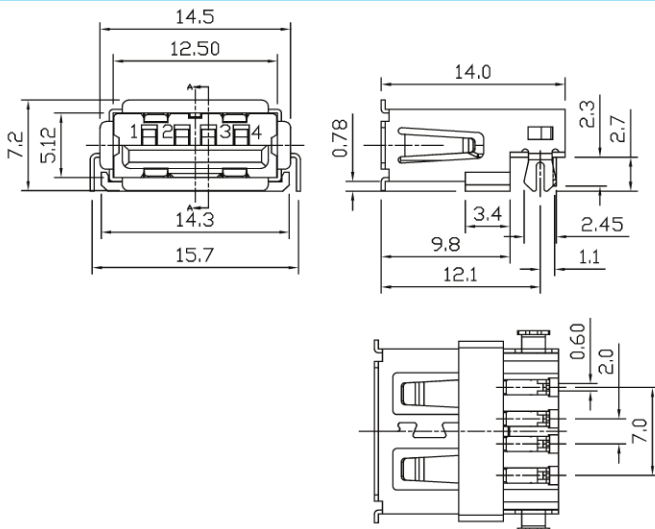
No.	Name	Material	Finish	Q'TY	Remark
1	Housing	PBT G.F.	Black/White	1	
2	Terminal	Phos. Bronze T=0.25	Gold/Tin Plated	4	Gold:1-3 $\mu$ m; Ni:40-60 $\mu$ m; Tin:120 $\mu$ m (100% Pure Tin of Lead Free Plating)

P/N.:5US2A02RF-104S0XLAN1

Old P/N:USB-001RD-AX-L

B:Black W:White

## USB A Type Female Reverse Flat Dip 90° 4P



No.	Name	Material	Finish	Q'TY	Remark
1	Housing	PBT G.F.	Black/White	1	
2	Terminal	Phos. Bronze T=0.25	Gold/Tin Plated	4	Gold:1-3 $\mu$ m; Ni:40-60 $\mu$ m; Tin:120 $\mu$ m (100% pure Tin of lead free plating)

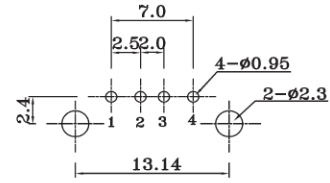
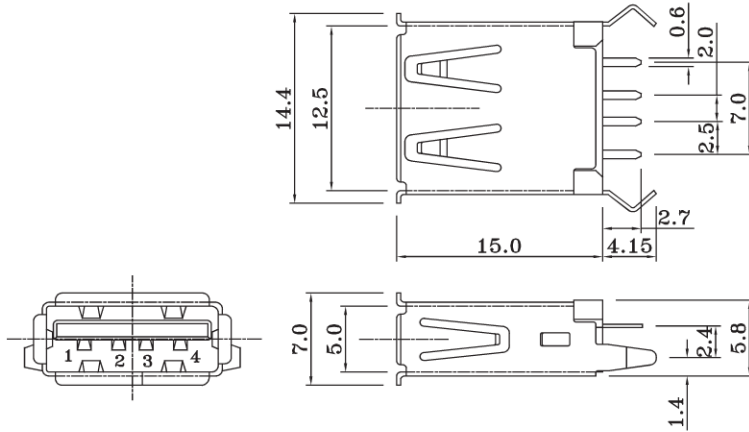
P/N.:5US2A03RF-104S0XLAN1

Old P/N:USB-001RD-A1X-L

B:Black W:White



## USB A Type Female Dip 180° 4P



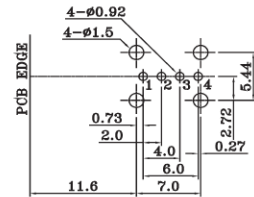
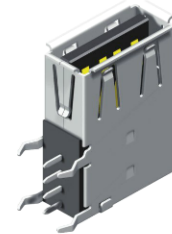
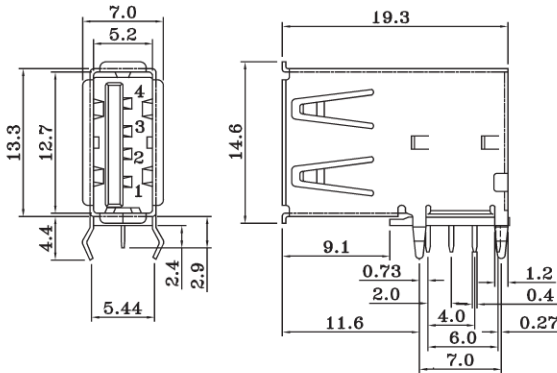
PCB LAYOUT  
(BOTTOM VIEW)

No.	Name	Q'ty	Material	Remarks & Thickness	Finish
1	Housing	1	PBT G.F.		White/Black
2	Pin Term.	4	Copper Alloy T:0.25	Ni:1~1.5u;Tin:3u. Gold:1~3u*	Gold/Tin Plated
3	Bottom Cover	1	PBT G.F.		White

**P/N.:5US2A04DF-104S0XCAN1**

Old P/N:USB-001K-AX-L B:Black W:White

## USB A Type Female Dip Upright 4P



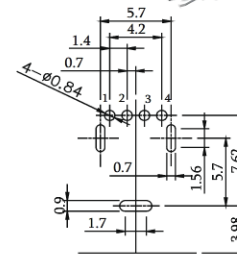
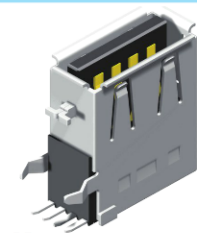
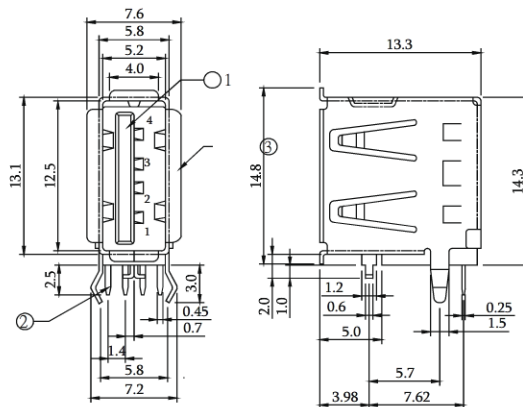
PCB LAYOUT  
(BOTTOM VIEW)

No.	Name	Q'ty	Material	Remarks & Thickness	Finish
1	Housing	1	PBT G.F.		White/Black
2	Pin Term.	4	Copper Alloy T:0.25	Ni:1~1.5u;Tin:3u. Gold:1~3u*	Gold/Tin Plated
3	Bottom Cover	1	PBT G.F.		White

**P/N.:5US2A05RF-104S0XLAN1**

Old P/N:USB-001V-AX-L B:Black W:White

## USB A Type Female Dip Upright 4P



PCB EDGE  
COMPONENT SIDE  
(PCB LAYOUT)

No.	Name	Q'ty	Material	Remarks & Thickness	Finish
1	Housing	1	Nylon 9T G.F.		White/Black
2	Pin Term.	4	PBS T:0.25	Ni:1~1.5u;Tin:3u. Gold:1~3u*	Gold/Tin Plated

**P/N.:5US2A06RF-104S0XLAN1**

Old P/N:USB-001VF-AX-U B:Black W:White

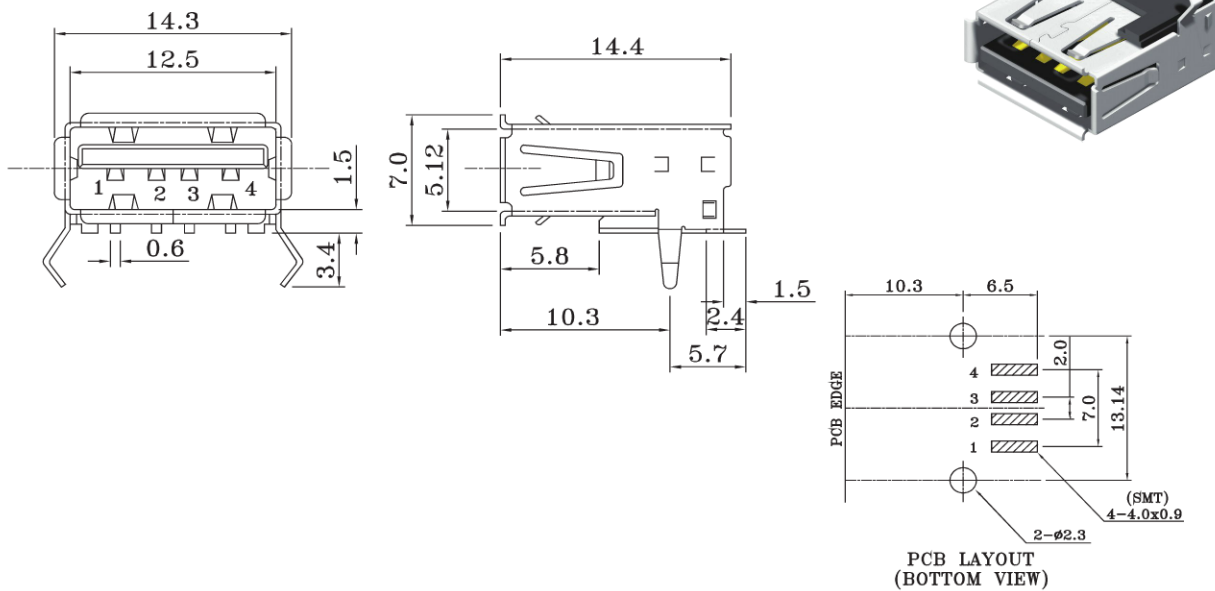
USB Conn. Series



ROHS

AMTEK COMMUNICATIONS MANUFACTURING

## USB A Type Female SMT 90° 4P

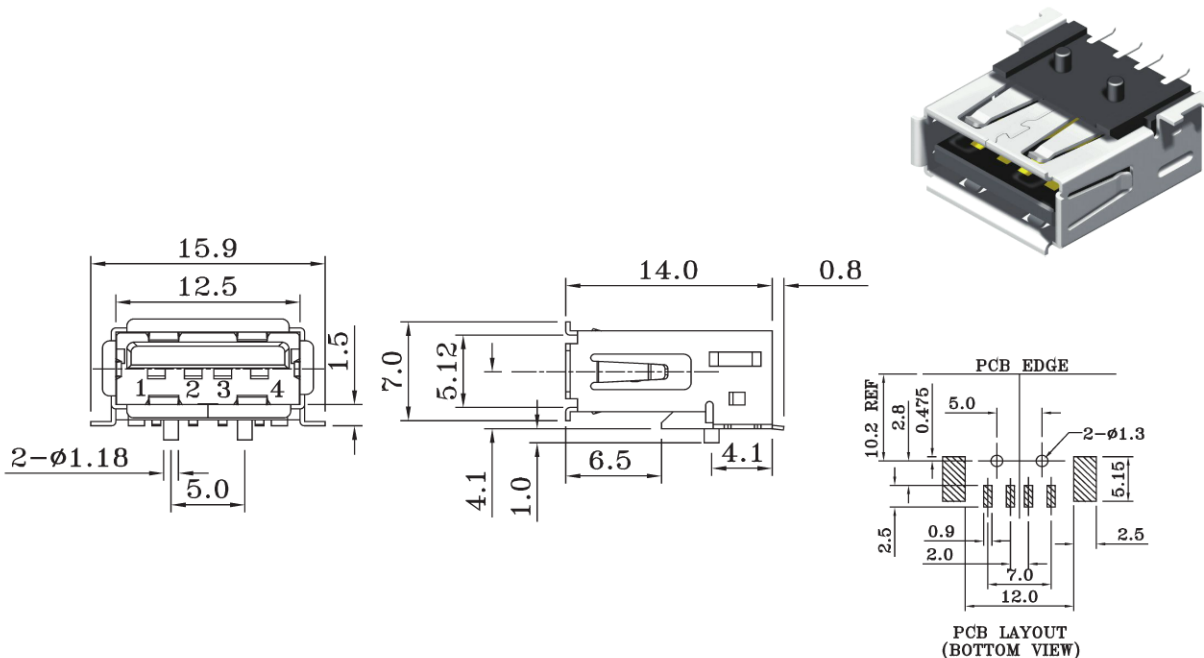


No.	Name	Q'ty	Material	Remarks & Thickness	Finish
1	Housing	1	Nylon 9T G.F.		White/Black
2	Pin Term.	4	Copper Alloy T:0.25	Ni:1~1.5u;Tin:3u. Gold:1~3u*	Gold/Tin Plated

**P/N.:5US2A07MF-104S0XUA-N1**

Old P/N:USB-001H-AX-U B:Black W:White

## USB A Type Female SMT 90° With Peg 4P



No.	Name	Q'ty	Material	Remarks & Thickness	Finish
1	Housing	1	Nylon 9T G.F.		Black
2	Pin Term.	4	Copper Alloy T:0.25	Ni:1~1.5u;Tin:3u. Gold:1~3u*	Gold/Tin Plated

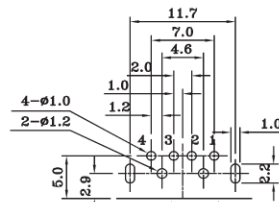
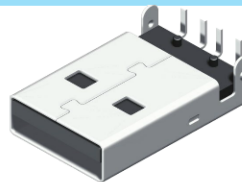
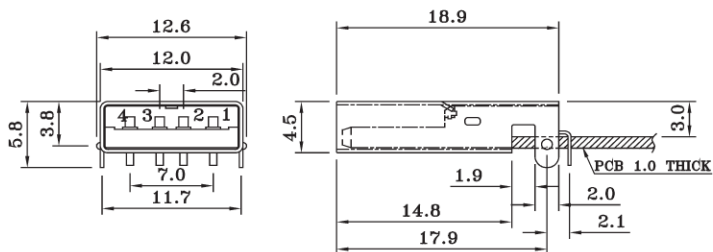
**P/N.:5US2A08MF-104S0XUAN1**

Old P/N:USB-001FA-A1X-U B:Black W:White

# CONNECTORS MANUFACTURER



## USB A Type Male Dip 90° 4P

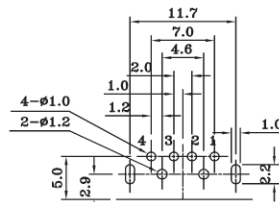
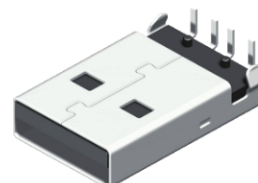
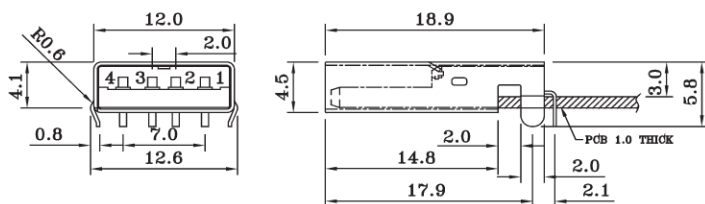


No.	Name	Q'ty	Material	Remarks & Thickness	Finish
1	Housing	1	Nylon 9T G.F.		White/Black
2	Pin Term.	4	Copper Alloy T0.25	Ni:1~1.5u; Tin:3u. Gold:1~3u*	Gold/Tin Plated
3	Shell	1	Brass T:0.3	Ni:2~3u	Nickel Plated

**P/N.:5US2A09RM-104S0XUAN1**

Old P/N:USB-001MD-AX-U B:Black W:White

## USB A Type Male Dip 90° 4P

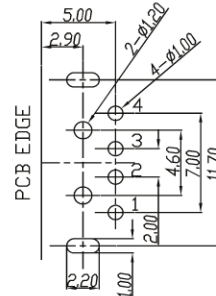
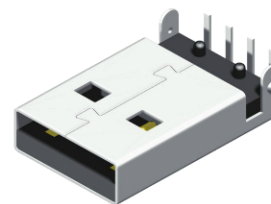
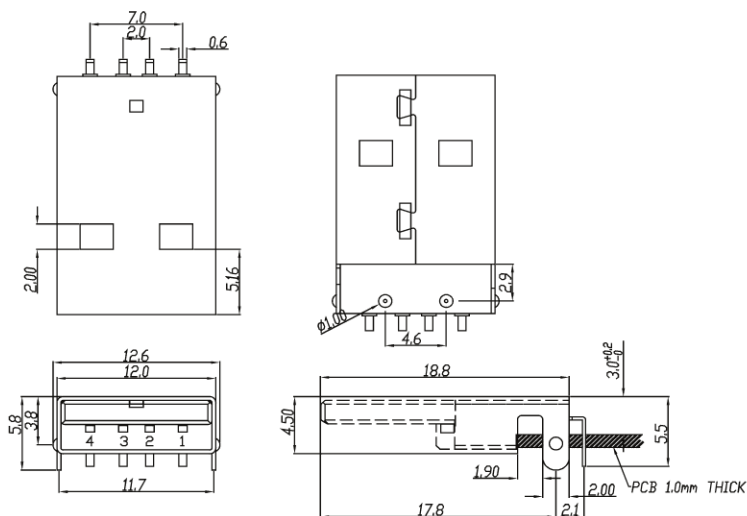


No.	Name	Q'ty	Material	Remarks & Thickness	Finish
1	Housing	1	Nylon 9T G.F.		White/Black
2	Pin Term.	4	Copper Alloy T0.25	Ni:1~1.5u; Tin:3u. Gold:1~3u*	Gold/Tin Plated

**P/N.:5US2A10RM-104S0XUAN1**

Old P/N:USB-001MDK-AX-U B:Black W:White

## USB A Type Male Reverse Dip 90° 4P



No.	Name	Material	Finish	Remark	Q'TY
1	Housing	Nylon 9T G.F.	Black/White		1
2	Pin Term.	Brass EH T=0.25 mm	Gold/Tin Plated	Gold:1~3u*; Ni:40~60u*; Tin:120u* (100% pure Tin of lead free plating)	4

**P/N.:5US2A11RM-104S0XUAN1**

Old P/N:USB-001MRD-AXS-U B:Black W:White

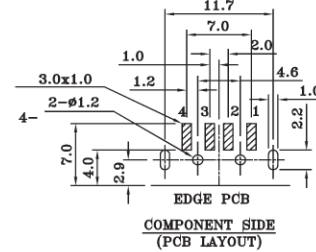
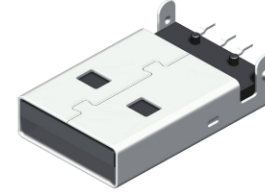
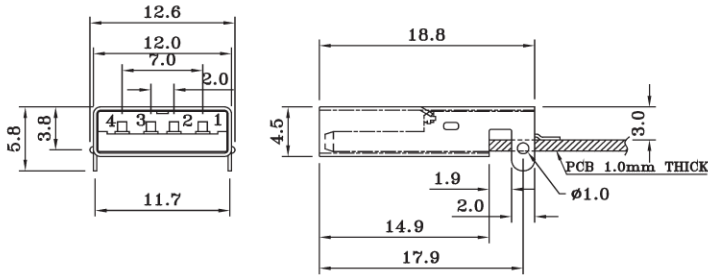
U SB Conn. Series



ROHS

AMTEK COMMUNICATIONS MANUFACTURING

## USB A Type Male SMT 90° 4P

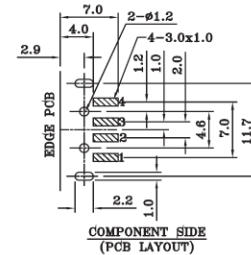
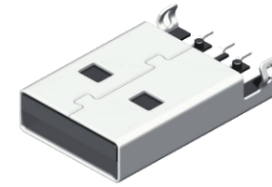
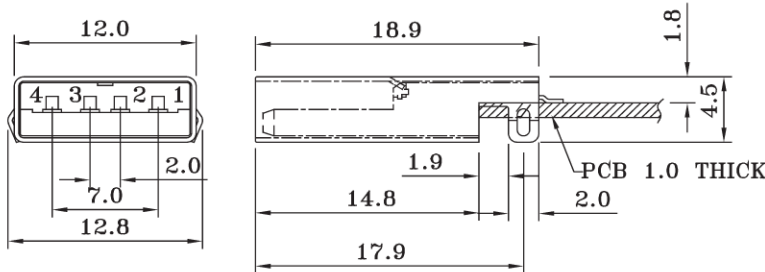


No.	Name	Q'ty	Material	Remarks & Thickness	Finish
1	Housing	1	Nylon 6T G.F.		White/Black
2	Pin Term.	4	Copper Alloy T:0.25	Ni:1~1.5u;Tin:3u. Gold:1~3u	Gold/Tin Plated

**P/N.:5US2A12MM-104S0XUAN1**

Old P/N:USB-001MS-AX-U B:Black W:White

## USB A Type Male SMT 90° Sink 4P

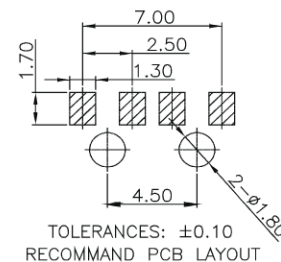
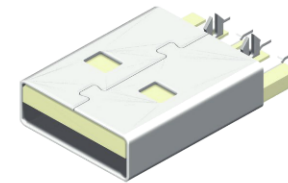
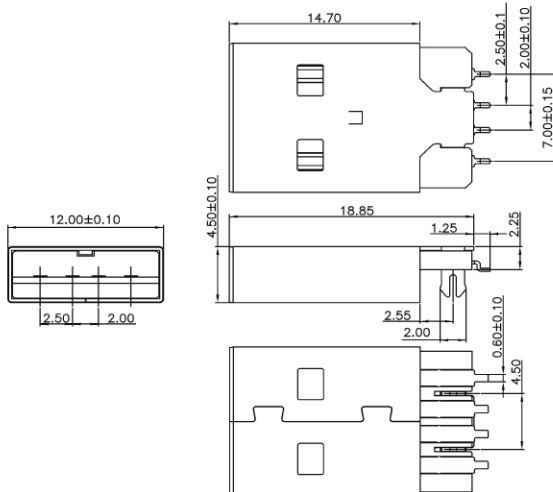


No.	Name	Q'ty	Material	Remarks & Thickness	Finish
1	Housing	1	Nylon 9T G.F.		White/Black
2	Pin Term.	4	Copper Alloy T0.25	Ni:1~1.5u;Tin:3u. Gold:1~3u	Gold/Tin Plated

**P/N.:5US2A13MM-104S0XUAN1**

Old P/N:USB-001MSK1-A1X-U B:Black W:White

## USB A Type Male SMT 90° 4P



TOLERANCES: ±0.10  
RECOMMEND PCB LAYOUT

No.	Name	Q'ty	Material	Remarks & Thickness	Finish
1	Housing	1	Nylon 6T		White
2	Pin Term.	4	Copper Alloy	Ni:1~1.5u;Tin:3u. Gold:1~3u	Gold/Tin Plated

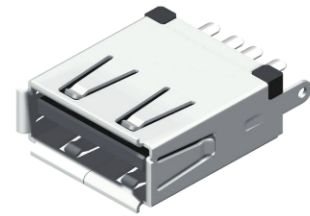
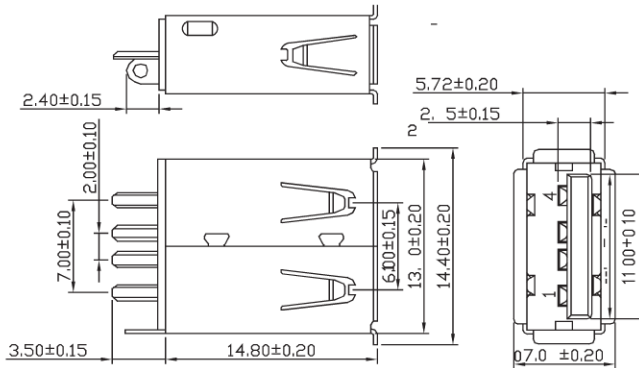
**P/N.:5US2A14MM-104S0WUAN1**

Old P/N:USB-001Y-AW-U

W:White



## USB A Type Female Solder 4P

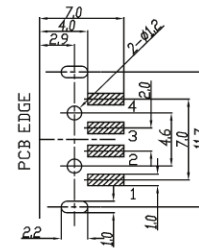
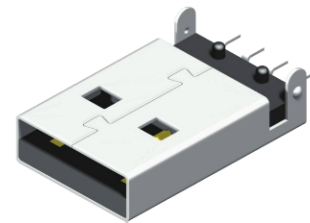
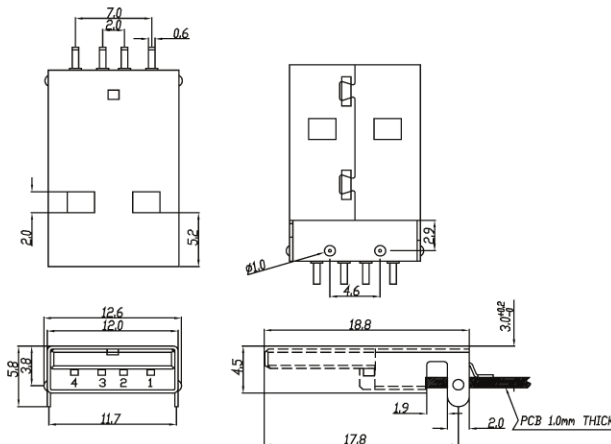


No.	Name	Q'ty	Material	Remarks & Thickness	Finish
1	Contact	4	Copper Alloy	T=0.25mm	Gold Flash all over
2	Housing	1	PBT	UL 94-V0	Ivory/Black

P/N.:5US2A15SF-104G0XLBN1

Old P/N:USB-FS-AX-L B:Black W:White

## USB A Type Male Reverse SMT 90° 4P



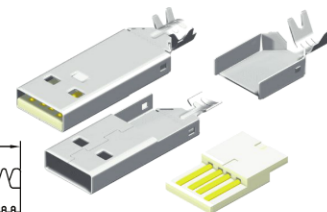
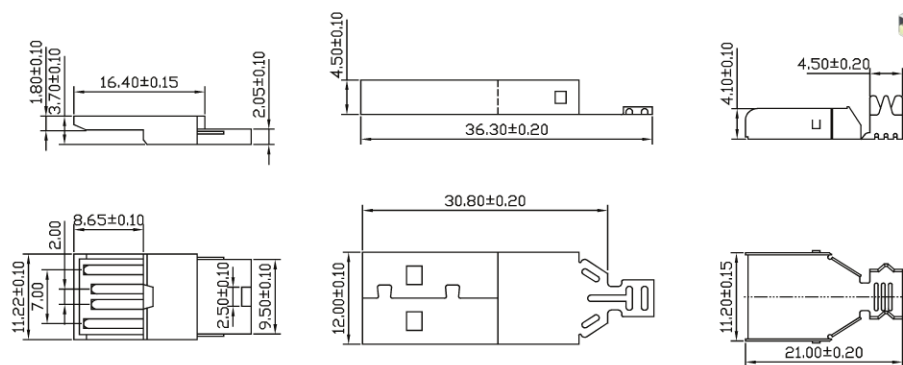
COMPONENT SIDE  
(PCB LAYOUT)

No.	Name	Material	Finish	Remark	Q'TY
1	Housing	Nylon 9T G.F.	Black/White		1
2	Pin Term.	Brass EH T=0.25 mm	Gold/Tin Plated	Gold:1~3u*; Ni:40~60u*; Tin:120u* (100% pure Tin of lead free plating)	4

P/N.:5US2A16MM-104S0XUAN1

Old P/N:USB-001MRS-AXS-U B:Black W:White

## USB A Type Male Solder 4P



No.	Name	Q'ty	Material	Remarks & Thickness	Finish
1	Contact	4	Copper Alloy	T=0.25mm	Gold Flash all over
2	Housing	2	PBT	UL 94-V0	White / Black

P/N.:5US2A17SM-104GDXLBN1

Old P/N:USB-MSL-AX-L B:Black W:White

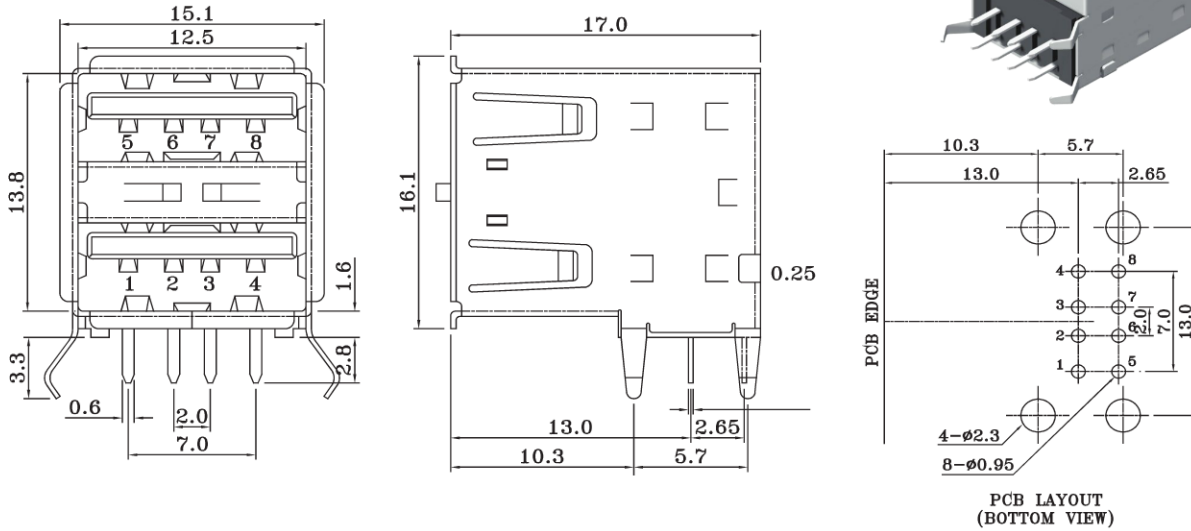
U SB Conn. Series



ROHS

AMTEK COMMUNICATIONS MANUFACTURING

## USB A Type Female 2 Ports Dip 90° 8P

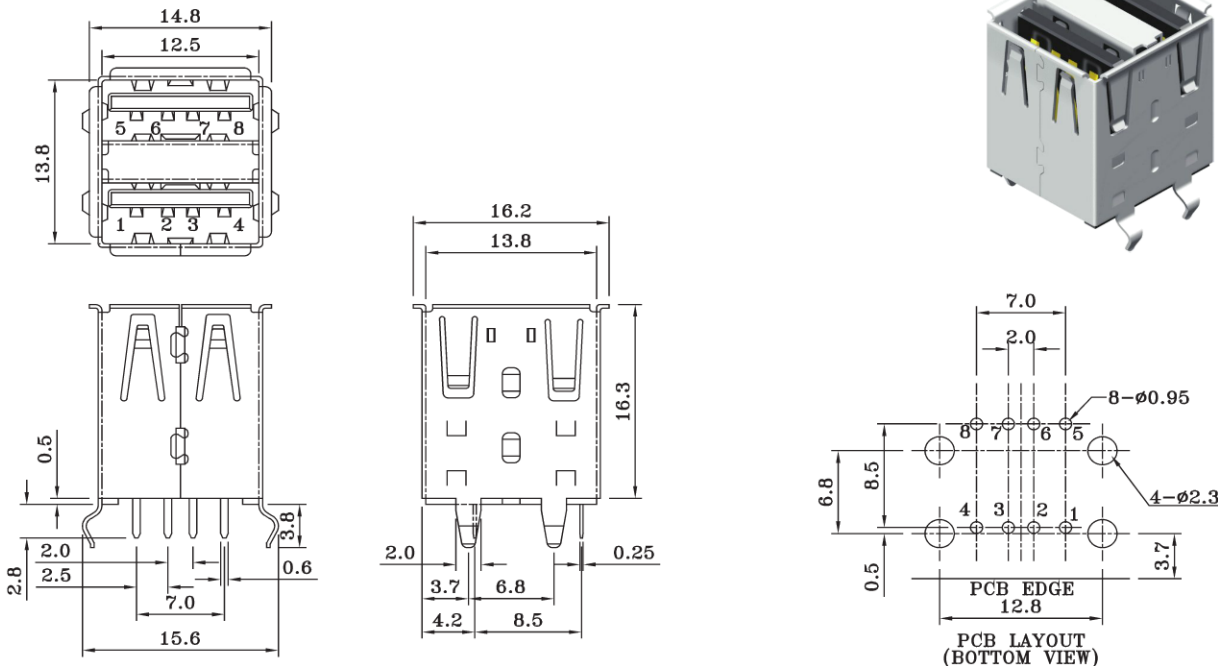


No.	Name	Q'ty	Material	Remarks & Thickness	Finish
1	Housing	1	PBT G.F.		White/Black
2	Pin Term.	8	Copper Alloy T:0.25	Ni:1~5u ; Tin:3u. Gold:1~3u"	Gold/Tin Plated

**P/N.:5US2A18RF-204S0XLAN1**

Old P/N:USB-002-AX-L B:Black W:White

## USB A Type Female 2 Ports Dip 180° 8P



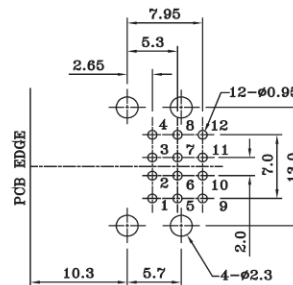
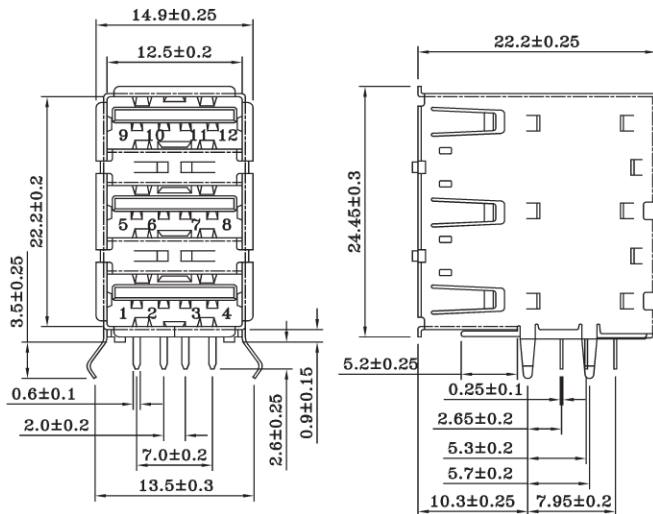
No.	Name	Q'ty	Material	Remarks & Thickness	Finish
1	Housing	1	PBT G.F.		White/Black
2	Pin Term.	8	Copper Alloy T:0.25	Ni:1~5u ; Tin:3u. Gold:1~3u"	Gold/Tin Plated
3	Spacer	2	PC		Natural

**P/N.:5US2A19DF-204S0XLAN1**

Old P/N:USB-002K-A1X-L B:Black W:White



## USB A Type Female 3 Ports Dip 90° 12P



PCB LAYOUT  
(BOTTOM VIEW)

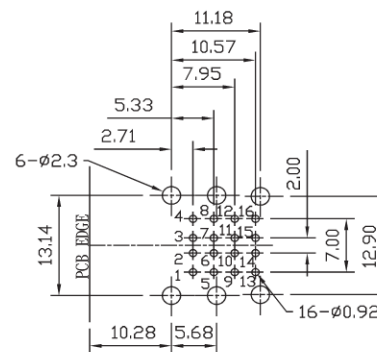
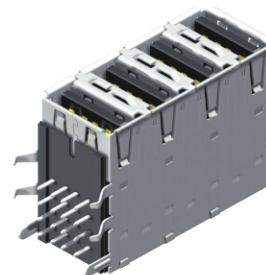
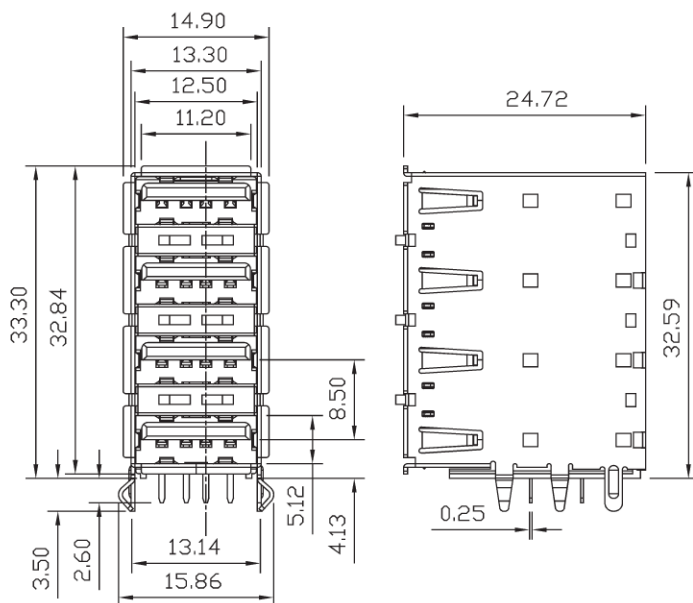
No.	Name	Q'ty	Material	Remarks & Thickness	Finish
1	Housing	1	P.B.T		White/Black
2	Pin Term.	12	Copper Alloy	Ni:1-5u; Tjn:3u. Gold:1-3u	Gold/Tin Plated
3	Bottom Cover	1	Nylon		Black

**P/N.:5US2A20RF-304S0XLAN1**

Old P/N:USB-003-AX-L

B:Black W:White

## USB A Type Female 4 Ports Dip 90° 16P



BOTTOM VIEW  
RECOMMENDED PCB LAYOUT

No.	Name	Q'ty	Material	Finish
1	Housing	1	PBT	Black
2	Pin Term. 1-2Port	8	Copper Alloy	Gold/Tin Plated
3	Pin Term. 3-4Port	8	Copper Alloy(C7025)	Gold/Tin Plated
4	Spacer	1	PBT	Black

**P/N.:5US2A21RF-404S0XLAN1**

Old P/N:USB-004-AX-L

B:Black W:White

U SB Conn. Series



ROHS

AMTEK CONNECTOR MANUFACTURER