

BB02-CM :- 1.27mm X 1.27mm (0.05" x 0.05") SMD SOCKET, DUAL ROW, STRAIGHT, 8 to 100 CONTACTS, DUAL ENTRY, WITH BUMP

SPECIFICATIONS

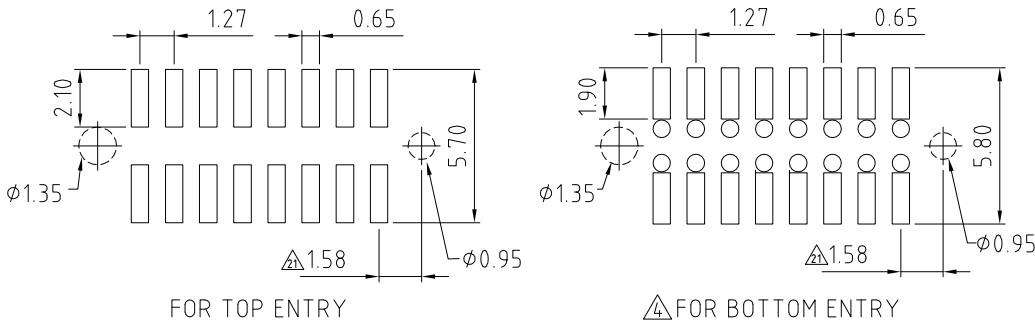
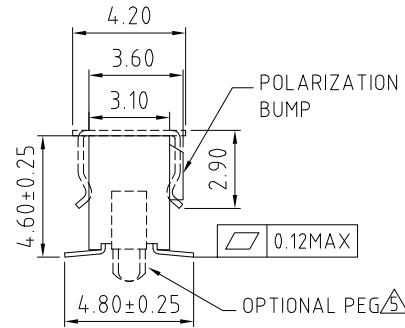
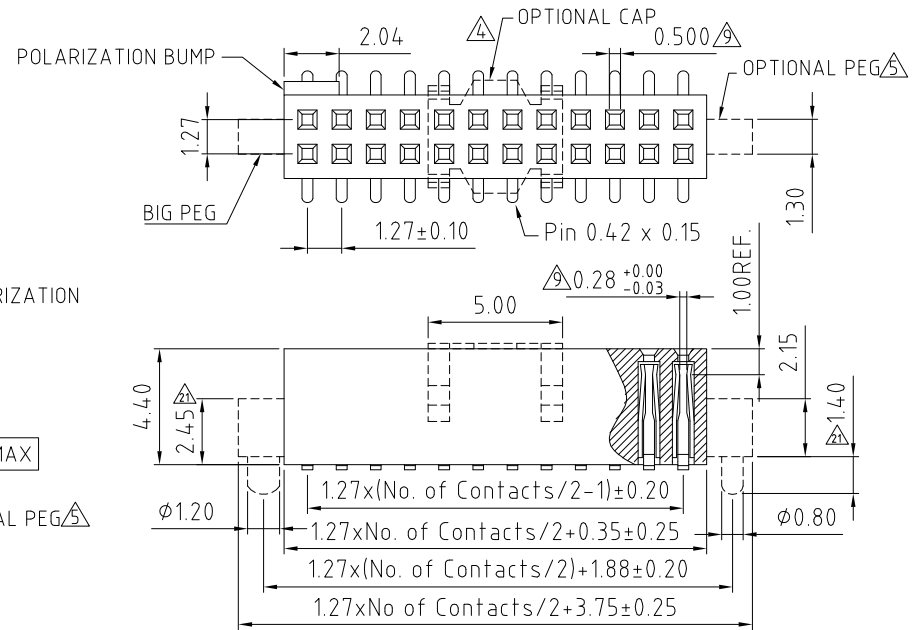
CURRENT RATING 1 AMP  
 INSULATOR RESISTANCE 1000 MEGOHMS MIN.  
 CONTACTS RESISTANCE 20m OHMS MAX.  
 DIELECTRIC WITHSTANDING AC 300 V  
 OPERATING TEMPERATURE -40°C TO +105°C  
 CONTACT MATERIAL PHOSPHOR BRONZE  
 INSULATOR MATERIAL THERMOPLASTIC, UL 94V-0  
 STANDARD: LCP

PLATING GOLD, TIN, OR SELECTIVE OVER 30~50U" NICKEL

SOLDERABILITY: IR REFLOW: 280°C FOR 10 SEC  
 MANUAL SOLDER: 380°C FOR 3-5 SEC

MATES WITH:- BB02-BC BB02-BS BB02-7B  
 BB02-BD BB02-BY  
 BB02-BE BB02-BZ  
 BB02-BK BB02-NE  
 BB02-BP BB02-NN

RECOMMENDED MATING PIN LENGTH FROM TOP ENTRY IS 4.0MM



RECOMMENDED PC BOARD SMD LAYOUT (TOLERANCE: ±0.05)

HOW TO ORDER



NO. OF CONTACTS:  
 08 TO 98  
 00 = 100

CONTACT PLATING OPTIONS:  
 K = GOLD FLASH (STANDARD)  
 A = 10U" GOLD ON CONTACT/GOLD FLASH ON TAIL  
 B = 15U" GOLD ON CONTACT/GOLD FLASH ON TAIL  
 C = 30U" GOLD ON CONTACT/GOLD FLASH ON TAIL  
 T = BRIGHT TIN  
 M = MATT TIN  
 D = GOLD FLASH ON CONTACT/BRIGHT TIN ON TAIL

LOCATING PEG OPTIONS:  
 0 = WITH PEG  
 1 = WITHOUT PEG

PACKAGING OPTIONS:  
 3 = TUBE  
 4 = TUBE + FILM  
 5 = TUBE + CAP  
 6 = TAPE & REEL  
 7 = TAPE & REEL + FILM  
 8 = TAPE & REEL + CAP

10	28/03/05 - NYW	RELEASE
11	22/08/05 - NYW	DRAWING MODIFICATION
12	02/09/05 - NYW	ADD POLARIZATION OPTION
13	20/07/07 - NYW	DRAWING MODIFICATION
14	20/09/07 - NYW	ADD BOTTOM ENTRY LAYOUT
15	06/11/07 - NYW	ADD LOCATING PEG OPTION
16	10/10/07 - CHC	REMOVE SELECTIVE GOLD CONTACT PLATING
17	21/05/08 - CHC	PLATING MODIFICATION
18	26/12/08 - CHC	DRAWING MODIFICATION
19	03/02/10 - RFE	ADD TOLERANCE
20	09/02/10 - NYW	CHANGE INSULATOR TO LCP
21	30/10/14 - NYW	AMEND PEG DIMENSION AND ADD BUMP OPTION AND PEG HOLE DIAMETER

Scale:	5:1	THIRD ANGLE	Unstated Tolerances: X ± 0.30 X ± 0.25 XX ± 0.15 XXX ± 0.10	Material	SEE NOTE
Drawn:	CHC				
App'd:	XXXX	Title	SOCKET		NOT TO SCALE
Date:	30 OCT. '14	Revision:	2.1	UNIT:	mm

www.gradconn.com

THIS DRAWING IS CONFIDENTIAL AND MUST NOT BE COPIED OR DISCLOSED WITHOUT WRITTEN CONSENT

Type:	BB02-CM
	BB02-CM
DRAWING NUMBER:	
Sheet	1 of 1
Drawing	© E and O E