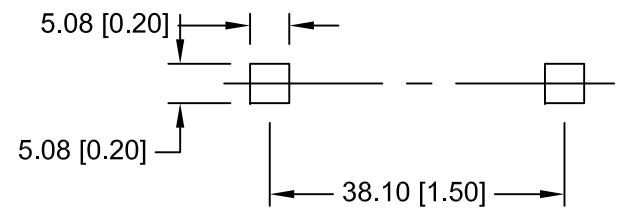
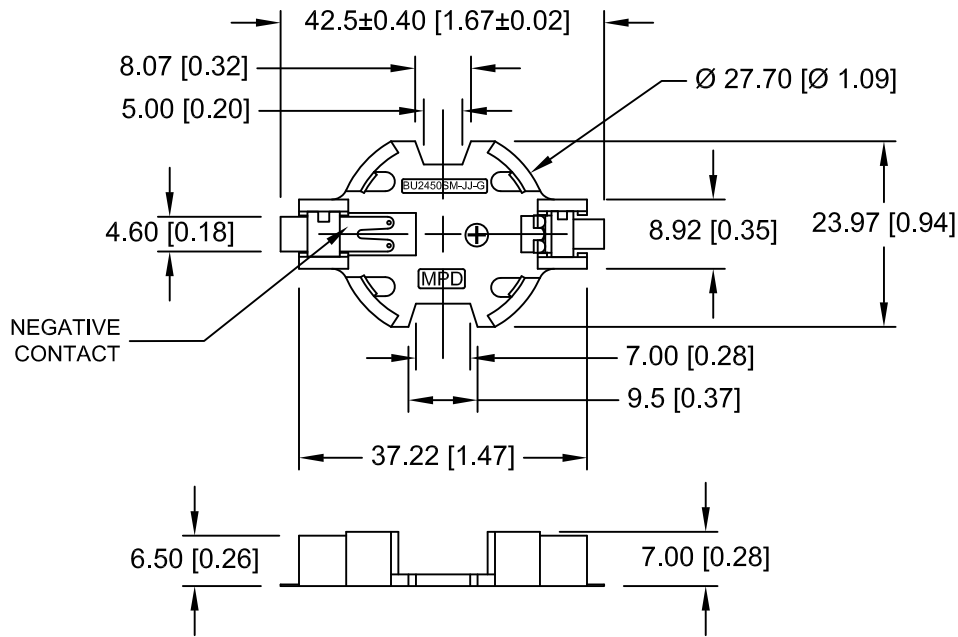



Date	SYM	REVISION RECORD	AUTH	DR.	CK.
5/26/07	B	Added drop test result	T.B.	B.S.	
6/09/07	C	Added PCB layout Updated all dimensions	T.B.	B.S.	
6/15/07	D	Dim. 6.50 was 6.7 Dim. 7.00 was 6.99	T.B.	B.S.	
1/11/08	E	Added dim Ø 27.70	T.B.	B.S.	
7/16/10	F	Tempreture 280°C was 315°C	T.B.	B.S.	
6/20/14	G	Updated to ROHS 2 Compliant	T.B.	B.S.	



PCB LAYOUT

SPECIFICATIONS:

- * Holder material- Zenite 6130, 30% glass reinforced Liquid Crystal Polymer resin, UL File No. E344082
- * Color: Off White
- * Contacts : 0.020" thick PHOS-BRONZE, GOLD FLASH
- * Temperature range: -40°C to +280°C
- * Vibration Test: 10-50-10 Hz swept in 60 seconds
X,Y,Z direction: 1 hour each direction
- * Result: No dislodgement of the cell or damage
No discontinuity over 10 ms
- * Shock Test: Half sine wave acceleration 150G. 6 micro-seconds
3 shock pulses each direction per axis, total of 18 pulses
- * Result: No evidence of physical damage
- * Drop Test: 1 meter
- * Result: No dislodgement of the cell or damage
- * ROHS 2 COMPLIANT

Tolerance (Except as noted)	 Memory Protection Devices, Inc 200 Broad Hollow Road, Farmingdale, New York 11735	Scale	Drawn By B.S.
			Approved By T.B.
decimal ±.5 (.020)	Title SURFACE MOUNT CR2450 BATTERY HOLDER		
Fractional ± .8 (.030)		Date 6/20/14	Drawing Number BU2450SM-JJ-G
Angular ± 3°			