

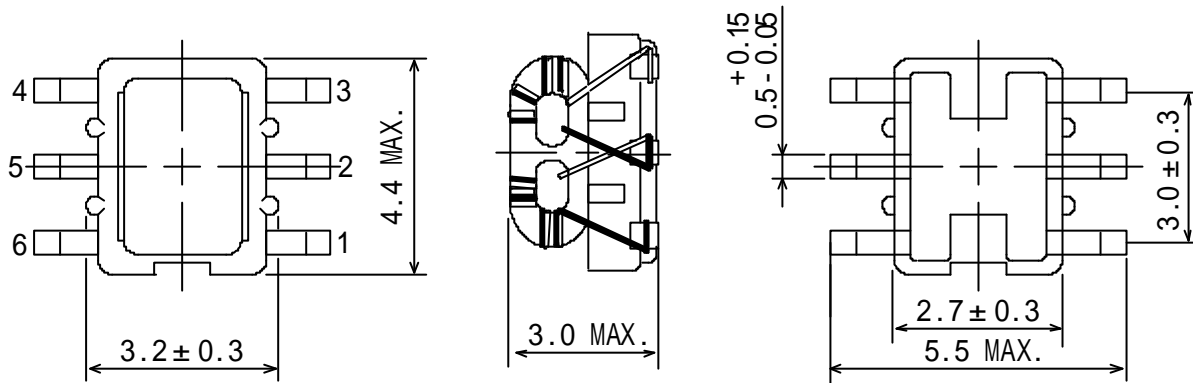
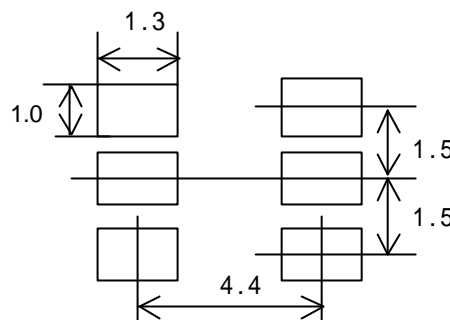
Type: CBM42

**Product Description**

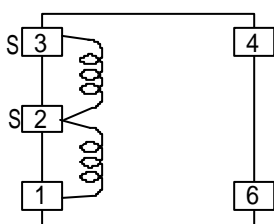
- 4.4 × 5.5mm Max.(L × W), 3.0mm Max. Height.
- Operating frequency: 100KHz ~ 1GHz


**Feature**

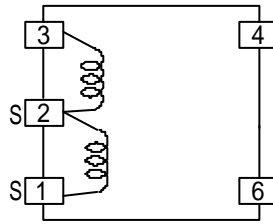
- Balance-unbalance transformer, common mode choke.
- Ideally used in EMC and balance-unbalance converter circuit, CATV signal transfer, USB2.0, IEEE1394.
- RoHS Compliance.

**Dimensions (mm)**

**Land Pattern (mm)**

**Schematics(Bottom)**

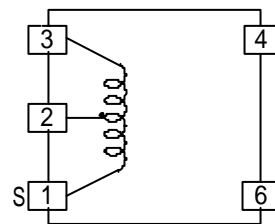
"S" is winding start.



(1)

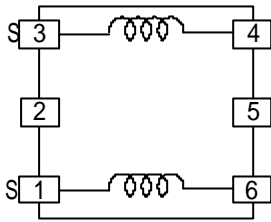


(2)

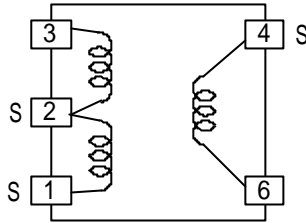


(3)

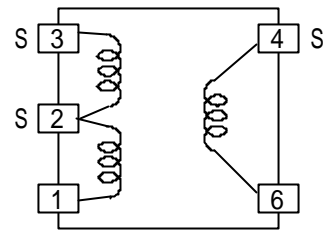
Type: CBM42



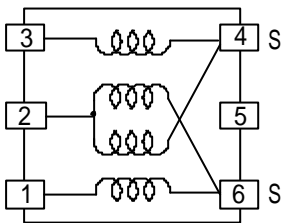
(4)



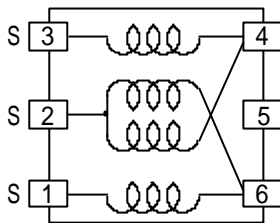
(5)



(6)



(7)



(8)

**Specification**

| Part Name   | Turns |     | Wire    | Schematics No. |
|-------------|-------|-----|---------|----------------|
| S0746433-01 | 3 - 2 | 3 T | 0.12UEW | (1)            |
|             | 2 - 1 | 3 T |         |                |
| S0746433-02 | 1 - 2 | 2 T | 0.12UEW | (2)            |
|             | 2 - 3 | 2 T |         |                |
| S0746433-03 | 1 - 2 | 1 T | 0.12UEW | (3)            |
|             | 2 - 3 | 1 T |         |                |
| S0746434-01 | 1 - 6 | 5 T | 0.08UEW | (4)            |
|             | 3 - 4 | 5 T |         |                |
| S0746434-02 | 1 - 6 | 8 T | 0.08UEW | (4)            |
|             | 3 - 4 | 8 T |         |                |
| S0746435-01 | 4 - 6 | 2 T | 0.10UEW | (5)            |
|             | 1 - 2 | 2 T |         |                |
|             | 2 - 3 | 2 T |         |                |
| S0746435-02 | 4 - 6 | 3 T | 0.10UEW | (6)            |
|             | 3 - 2 | 3 T |         |                |
|             | 2 - 1 | 3 T |         |                |
| S0746436-01 | 6 - 1 | 4 T | 0.12UEW | (7)            |
|             | 4 - 2 | 4 T |         |                |
|             | 4 - 3 | 4 T |         |                |
|             | 6 - 2 | 4 T |         |                |
| S0746436-02 | 1 - 6 | 5 T | 0.12UEW | (8)            |
|             | 2 - 4 | 5 T |         |                |
|             | 3 - 4 | 5 T |         |                |
|             | 2 - 6 | 5 T |         |                |