

1

2

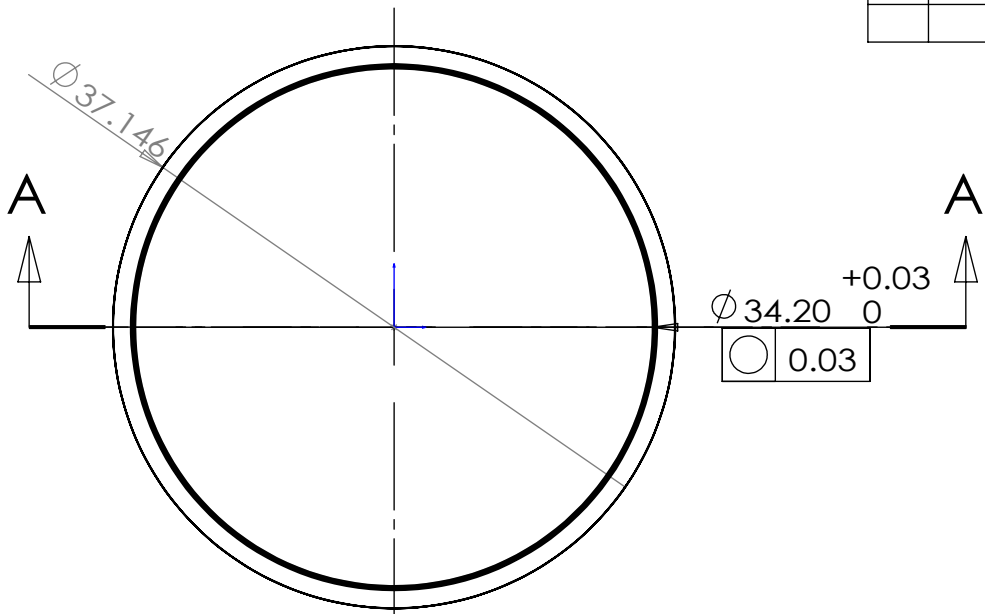
3

4

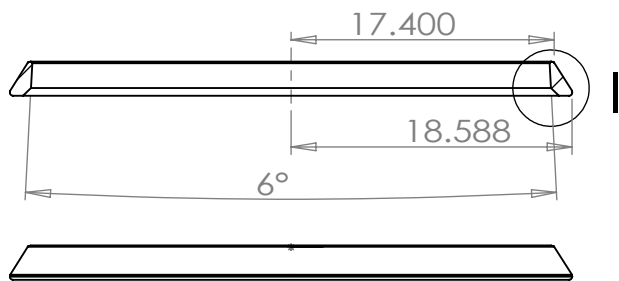
5

6

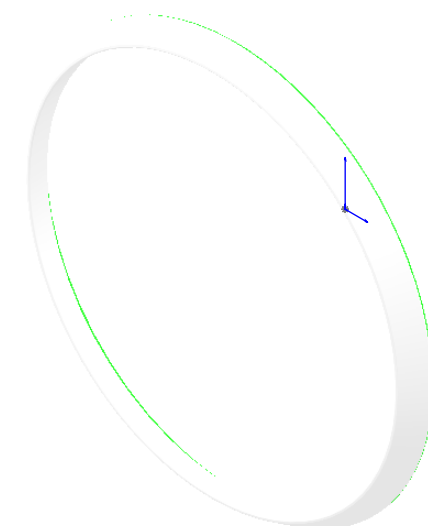
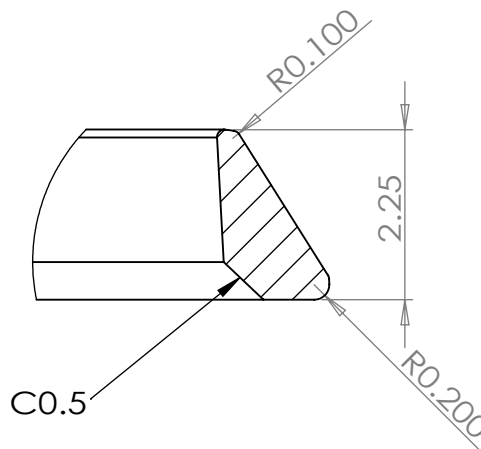
REVISIONS						
REV	DESCRIPTION	DRN	CHECKED	APPR	DATE	ECR#



剖面 A-A



局部视图 I  
比例 10 : 1



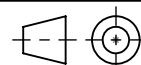
说明 :

- 1.未标注原角均为 $0.1\sim 0.2$ .
- 2.具体加工尺寸请依照3D.

Unless Otherwise Specified

- 1.Linear Dimension Unit: mm
- 2.Tolerance: Linear&Angular: ISO 2768-1 m
- 3. General Requirement: Remove all burrs and Sharp Edges

Material 材质 <未指定>



Title 7、10寸高端机型用金属环

Signature

Date

Dwg. No.

Drn. FELIX,TANG

2014.09.28

Scale: 2:1

Size: A4

Sheet: 1/1

Checked.

Ver.

Appr.

Rev.

**ThermoFisher**  
SCIENTIFIC

1

2