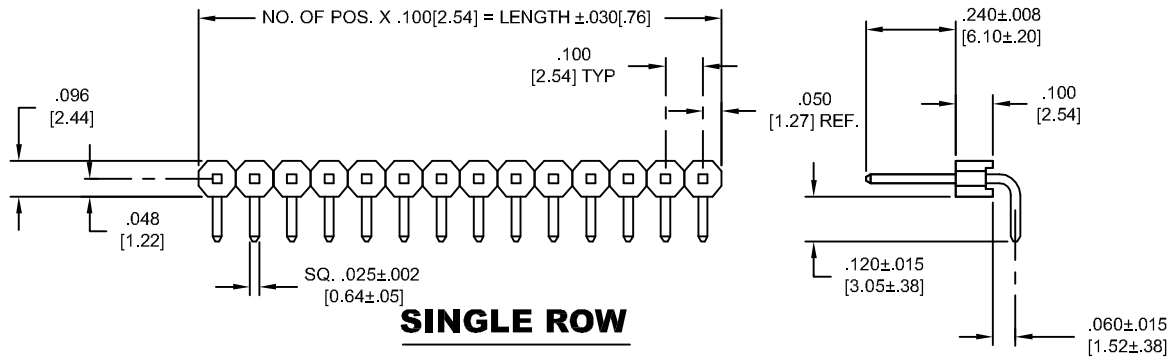


LTR	DESCRIPTION	DATE	APPROVED
A	INITIAL RELEASE SEE DO 4524	6/14/01	A.J.
B	SEE DO 5059	12/31/02	A.J.
C	SEE DO 5404	02/20/04	I.M.
D	SEE DO 5681	01/20/05	A.J.
E	SEE DO 7431	12/19/17	T.H.

D



CA-XXXR-XXX-XX

NO. OF ROW
 S = SINGLE ROW
 D = DUAL ROW
 T = TRIPLE ROW

NO. OF POSITIONS
 SINGLE ROW = 01-40 POSITIONS
 DUAL ROW = 02-80 POSITIONS
 TRIPLE ROW = 03-120 POSITIONS

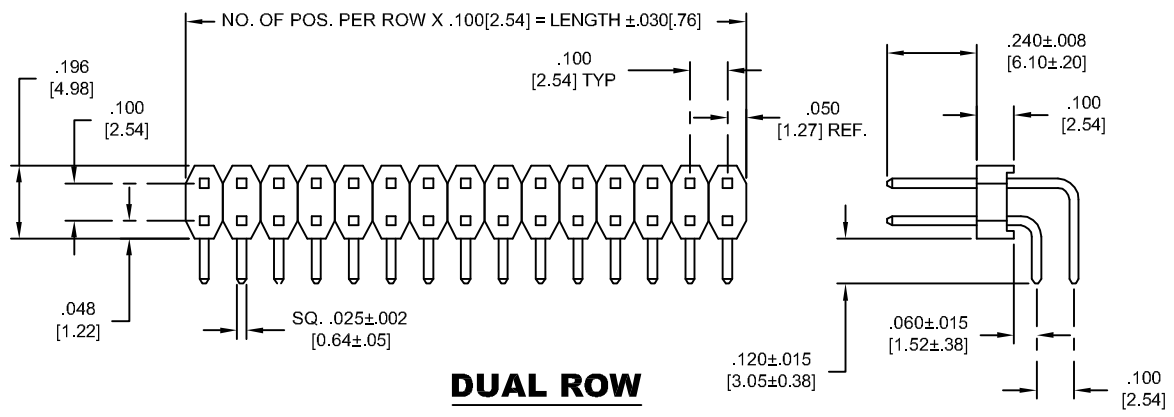
RIGHT ANGLE

POST EXTENSION
 24 = .240 [6.10] STANDARD

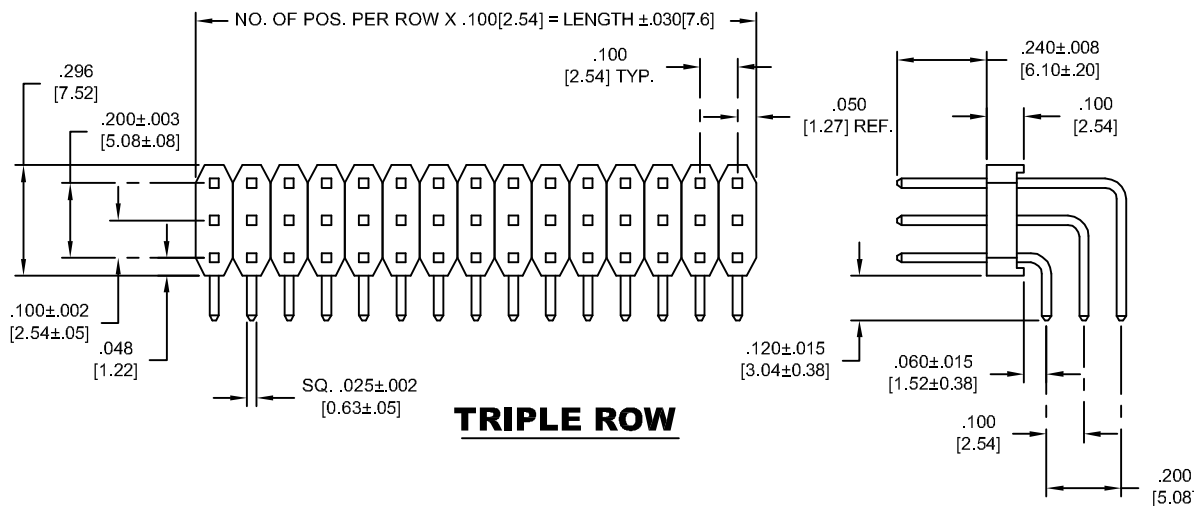
PLATING
 A = GOLD FLASH
 A3 = .000003u" GOLD
 B = .000010u" GOLD
 T = .000150u" TIN

TAIL LENGTH
 12 = .120 [3.05] STANDARD

C



B



2. CONSULT FACTORY FOR OTHER AVAILABLE POST EXTENSION, TAILS LENGTH S, AND PLATING OPTIONS.

1. SPECIFICATIONS:

ENVIRONMENTAL:
 TEMPERATURE RANGE : -55° C TO +120° C

MECHANICAL:
 INSULATOR MATERIAL : GLASS-FILLED POLYESTER, BLACK, UL94V-0
 CONTACT MATERIAL : COPPER ALLOY

ELECTRICAL:
 CURRENT RATING : 1 AMP
 DIELECTRIC WITHSTANDING VOLTAGE : 500 Vrms
 INSULATION RESISTANCE : > 1000 Megohms

A

DIMENSIONS ARE IN INCHES TOLERANCES ARE:	APPROVALS	DATE
DECIMALS .XX ± .010 .XXX ± .005	DRAWN CUONG.P CHECKED A.JOCHEN	6-11-01 6-14-01
DIMENSIONS IN BRACKETS [X.XX] ARE IN MILLIMETERS TOLERANCES ARE:		
DECIMALS .X ± .25 .XX ± .13		
DO NOT SCALE DRAWING		

CIRCUIT ASSEMBLY CORP. 3 VANDERBILT, IRVINE, CALIFORNIA 92618-2777		
CONNECTOR ASSEMBLY .025" SQ. STRIP HEADER, RT. ANGLE CA-XXXR-24X-12		
SIZE	CODE IDENT NO.	DRAWING NO.
C	52072	620392
SCALE: 4:1		REV. E
		SHEET 1 OF 1