

TUNING FORK CRYSTAL UNIT (SMD • Ceramic Package)

RoHS compliant / Pb free

CM415

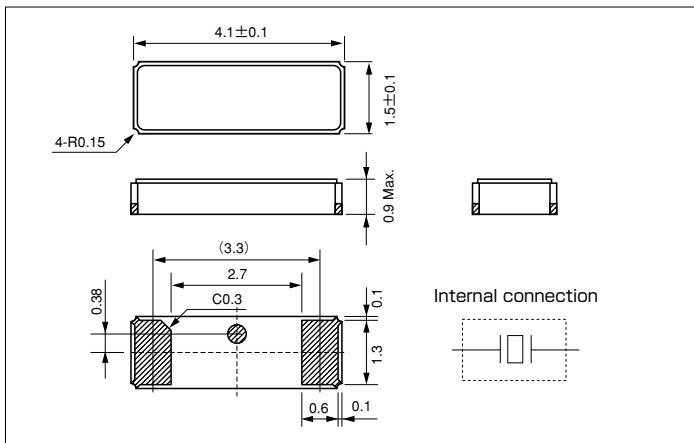
3000pcs/reel



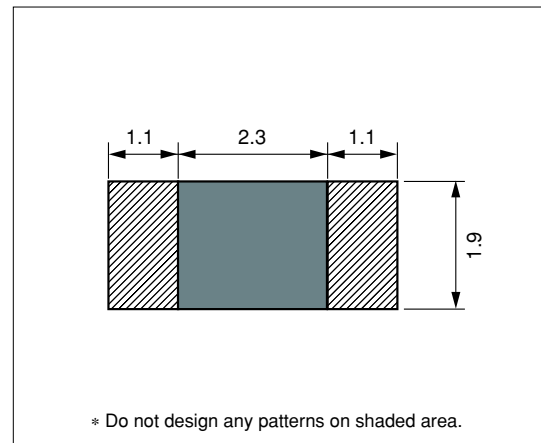
FEATURES

- Tuning fork crystal with ceramic packaged type.
- High-density SMD type
Ultra-light weight with ultra-miniature packaging.
High-stability assured with tight vacuum sealing.
- Most appropriate for portable devices and mobile telecommunications devices.

DIMENSION [mm]



SOLDER PAD LAYOUT [mm]



STANDARD SPECIFICATIONS

Item	Model	CM415	Conditions
Nominal Frequency	f_0	32.768kHz	
Frequency Tolerance	$\Delta f/f_0$	$\pm 20\text{ppm}$	at 25°C
Load capacitance	C_L	9.0pF, 12.5pF	Need to specify your requirement
Operating Temperature Range	T_{OPR}	-40°C ~ +85°C	
Storage Temperature Range	T_{STR}	-55°C ~ +125°C	
Turnover Temperature	T_M	25°C \pm 5°C	
Temperature Coefficient	β	-0.034 \pm 0.006ppm/°C ²	
Motional (series) resistance	R_1	70KΩ Max.	at 25°C
Level of drive	DL	1 μW Max.	
Aging (first year)	$\Delta f/f_0$	$\pm 3\text{ppm Max.}$	25°C \pm 3°C
Shunt capacitance	C_0	1.10pF Typ.	

Mouser Electronics

Authorized Distributor

Click to View Pricing, Inventory, Delivery & Lifecycle Information:

Citizen:

[CM415-32.768KDZC-UT](#) [CM415-32.768KDZY-UT](#) [CM415-32.768KDZF-UT](#)