

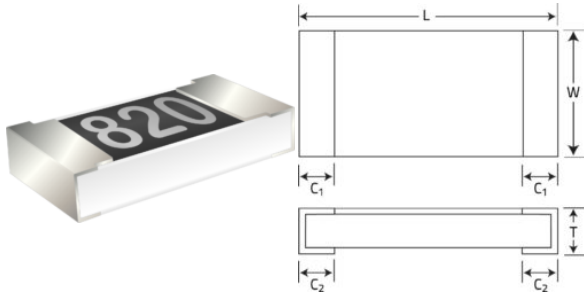
CR1210-2W-4R02FT Datasheet

General Purpose Thick Film Resistors (CR Series)

Chip Resistor, 1210, 1/2W, 4.02R, 1%



VENKEL LTD.



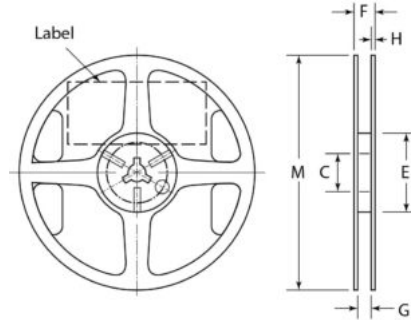
SIZE SPECIFICATIONS unit: inches

Length:	0.126 ± 0.006 (3.2 ± 0.15)
Width:	0.098 ± 0.006 (2.50 ± 0.15)
T(max):	0.022 ± 0.006 (0.56 ± 0.15)
C1:	0.020 ± 0.008 (0.50 ± 0.20)
C2:	0.020 ± 0.008 (0.50 ± 0.20)
Size:	1210

COMPONENT SPECIFICATIONS

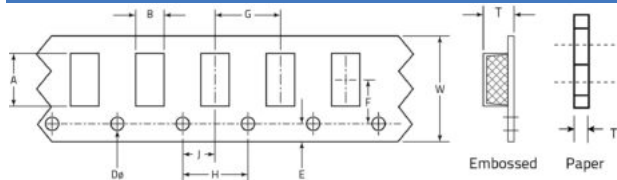
Category:	Resistors
Series:	General Purpose Thick Film Resistors (CR Series)
Size:	1210
Resistance:	4.02 ohm
Power Rating:	0.500W (1/2W)
Temperature Coefficient (TCR):	200ppm
Maximum Voltage:	sqrt(PR) or 200V
Tolerance:	1%
Termination:	N - 100% Matte Tin over Nickel
Operating Temperature:	-55C to +155C
Packaging:	T
Quantity per Reel:	5000

REEL DIMENSIONS units: mm



C	E	F	G	H	M
13.0 ± 0.2	60.0 ± 0.5	11.4 ± 1.0	9.0 ± 0.3	1.5 ± 0.3	180 ± 2.0

TAPING SPECIFICATIONS units: mm



A	B	W	E	F	Do
3.5 ± 0.1	2.8 ± 0.1	8.0 ± 0.2	1.75 ± 0.1	3.5 ± 0.05	$1.5 + 0.1 - 0$
G	H	J	T		
4.0 ± 0.1	4.0 ± 0.1	2.0 ± 0.05	0.85 ± 0.10		

DERATING CURVE



COMPLIANCE STATUS

RoHS Status:	5 of 6 Compliant
REACH Status:	Compliant
Halogen Status:	Halogen Free
Conflict Mineral Status:	Conflict Mineral Free