

CRM/BRM Series T1 3/4 Rear Mount LED

Special Features

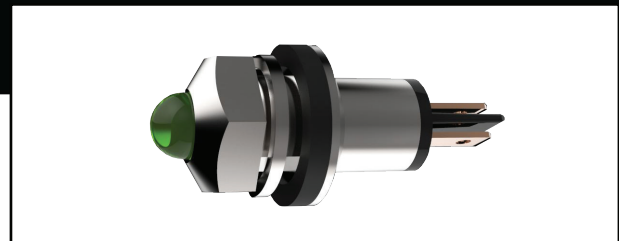
- Rugged watertight construction – sealed to IP67
- Rear mount in .315" (8.00mm) D-shaped and round hole
- Optional internal resistor for 5V-60VDC and 5V-240VAC
- Mil Spec MIL-W22759/33 wire and connector options
- Internally potted-suitable for high vibration applications

Specifications

- Mounting hole: .315" ± .002" (8.00 ± 0.05 mm) D-shaped and round hole
- Termination: 24AWG UL1061 6.0" (152.4mm) red (anode) and black (cathode) leads stripped .250" (6.35 mm) standard or LED pins or 2.8 x 0.5mm fastons (gold faston = anode and silver faston = cathode)
- Housing: Nickel-plated brass housing or black matte finish
- Panel thickness: .118" ± .006" (3.00 ± 0.15mm) Spacer available for .060" (1.52 mm) thick panel
- Mounting torque: 20 ± 2 in-lb (2.26 ± 0.23 N-mm)

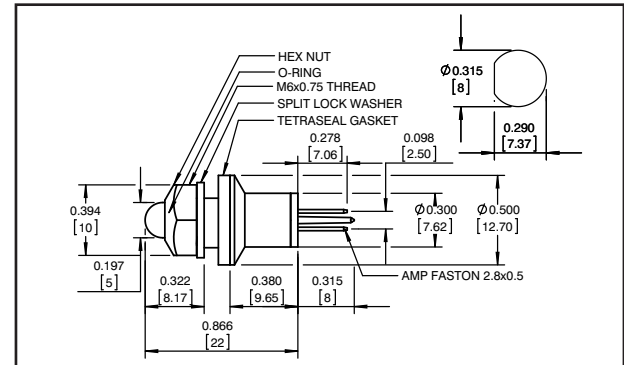
Electrical and Optical Characteristics (TA = 25°C)

LED Part #	Color	Luminous Intensity (mcd) Typ. @ I _f (mA)	V _f Typ. @ I _f (mA)	Viewing Angle 2 θ 1/2	Peak Wavelength (nm)		
ULTRA BRIGHT – DAYLIGHT READABLE							
3056	Red	400.0	20	1.9	20	30°	660
3055	Yellow	400.0	20	2.0	20	30°	590
3054	Green	300.0	20	3.2	20	30°	520
3060	Orange	600.0	20	2.1	20	30°	610
BIPOLAR (Recommended for AC Voltages)							
0001	Red	148.0	20	1.85	20	60°	660
0002	Yellow	130.0	20	1.9	20	60°	590
0003	Green	50.0	20	2.1	20	60°	574
BLUE							
3057	Blue	640.0	20	3.3	20	20°	468
WHITE							
3061	White	27000.0	20	3.2	20	15°	N/A



5mm Panel Mount LED Assemblies

Package Dimensions



All dimensions are in inches (mm)

Resistor Chart

OPERATING SPECIFICATIONS				
Resistor Value Code	Voltage	Current (mA)	Resistor Value (Ohms) Green, Yellow Red, Bicolor LED	Resistor Value (Ohms) Blue, White LED
0000	2	10 or 20	None	Not Available
9900	5	10	332	
9928	5	10		121
9901	12	10	1000	
9902	12	10		715
9903	24	10	2210	
9904	24	10		1910
9905	28	10	2610	
9906	28	10		2320
9907	5	20	150	
9922	5	20		65
9908	12	20	511	
9909	12	20		357
9910	24	20	1100	
9911	24	20		953
9912	48	9	4870	
9913	48	9		4530
9914	60	7	8250	
9915	60	7		7500
0120	120VAC	7	16500	Contact VCC
0240	240VAC	3.5	66400	Contact VCC

Note: Bi-Color, Tri-Color and Full Color not available in AC voltages.

How To Order

