

2014

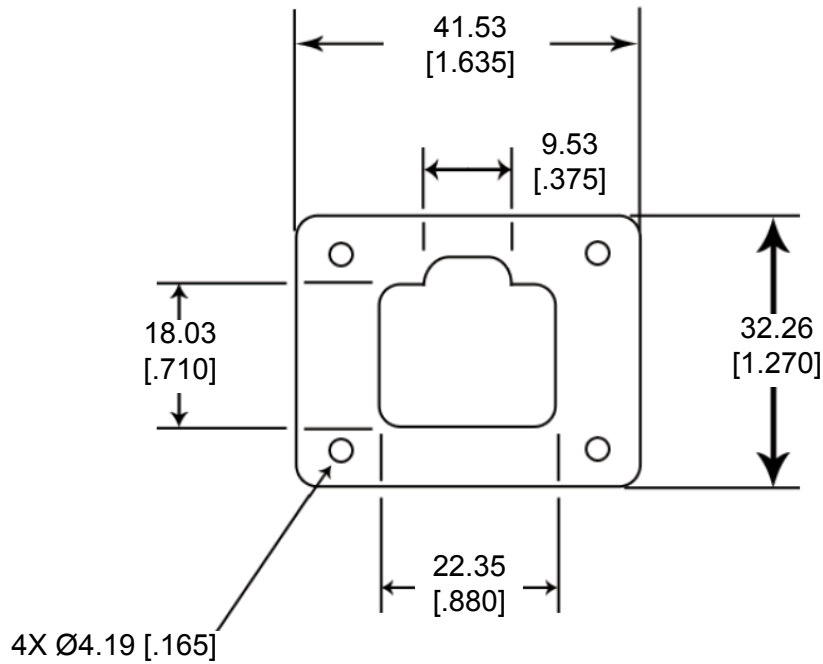
RELEASED FOR PUBLICATION

THIS DRAWING IS UNPUBLISHED.

ALL RIGHTS RESERVED.

© COPYRIGHT 2014 BY TE CONNECTIVITY

REVISIONS					
P	LTR	DESCRIPTION	DATE	DWN	APVD
	A	NEW RELEASE PER ECO-14-008761	06-10-14	DM	DM



- 4. THICKNESS: 3.18 [.125]
- 3. PART NO. DT4P-L012-GKT
- 2. TEMPERATURE RATING: -57°C TO +107°C [-70°F TO +225°F]
- 1. THIS PART IS USED ON DT04-4P-L012

DIMENSIONS: MM [INCH]	DWN	D. MEYER 10JUN2014	MATERIAL	CLD CELL SPONGE	FINISH	BLACK	
	CHK	R. MESSENGER 10JUN2014					
TOLERANCES UNLESS OTHERWISE SPECIFIED:	APVD	D. MEYER 10JUN2014					
0 PLC ±	PRODUCT SPEC	NAME				GASKET, RECEPTACLE, 4PIN DT SERIES	
1 PLC ±	APPLICATION SPEC	SIZE	CAGE CODE	DRAWING NO	RESTRICTED TO		
2 PLC ± 0.76 [.030]	WEIGHT	A 4	4AFU8	DT4P-L012-GKT	-		
3 PLC ±		Customer Drawing				SCALE	NONE
4 PLC ±						SHEET	1 OF 1
ANGLES ± 5°					REV	A	

Mouser Electronics

Authorized Distributor

Click to View Pricing, Inventory, Delivery & Lifecycle Information:

[TE Connectivity:](#)

[DT4P-L012-GKT](#) [1027-014-0800](#)