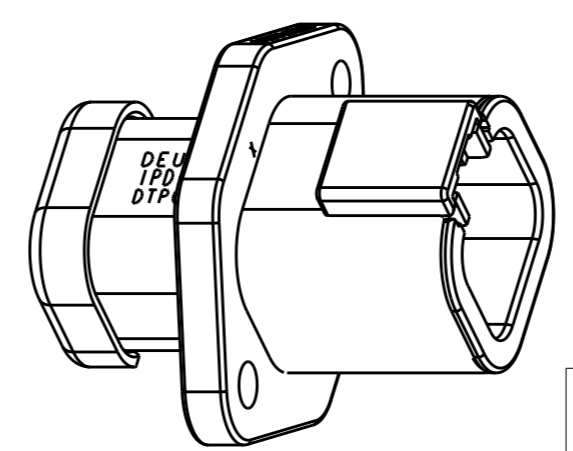
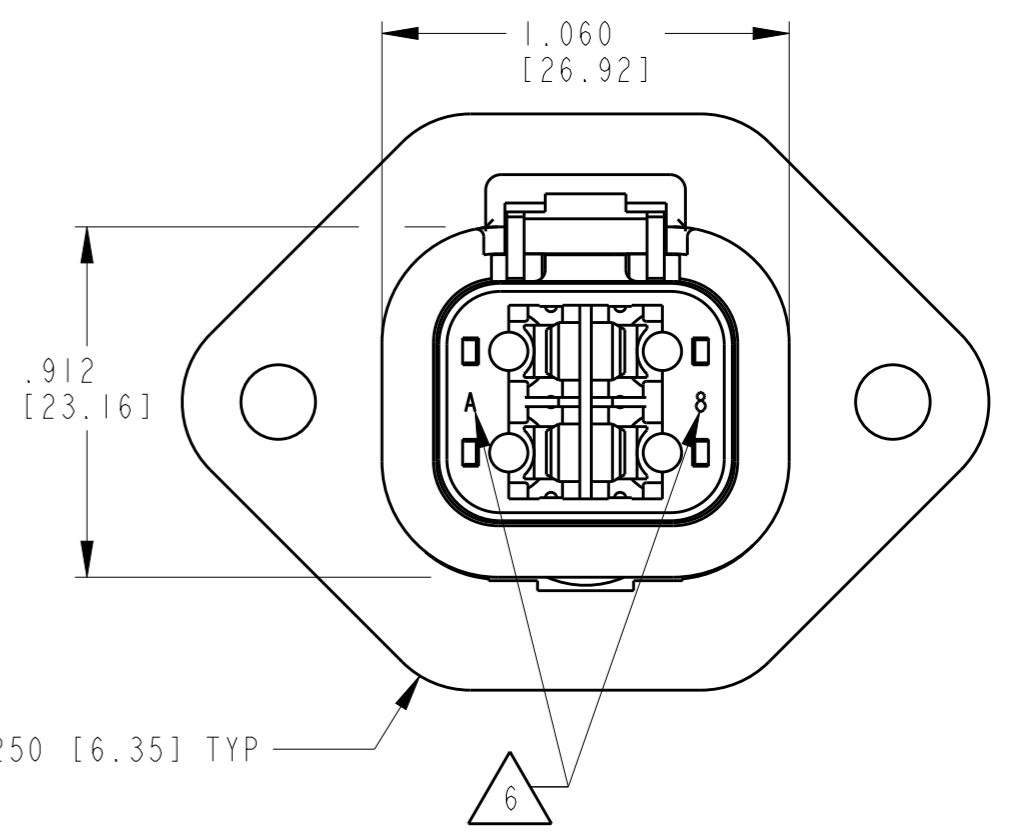
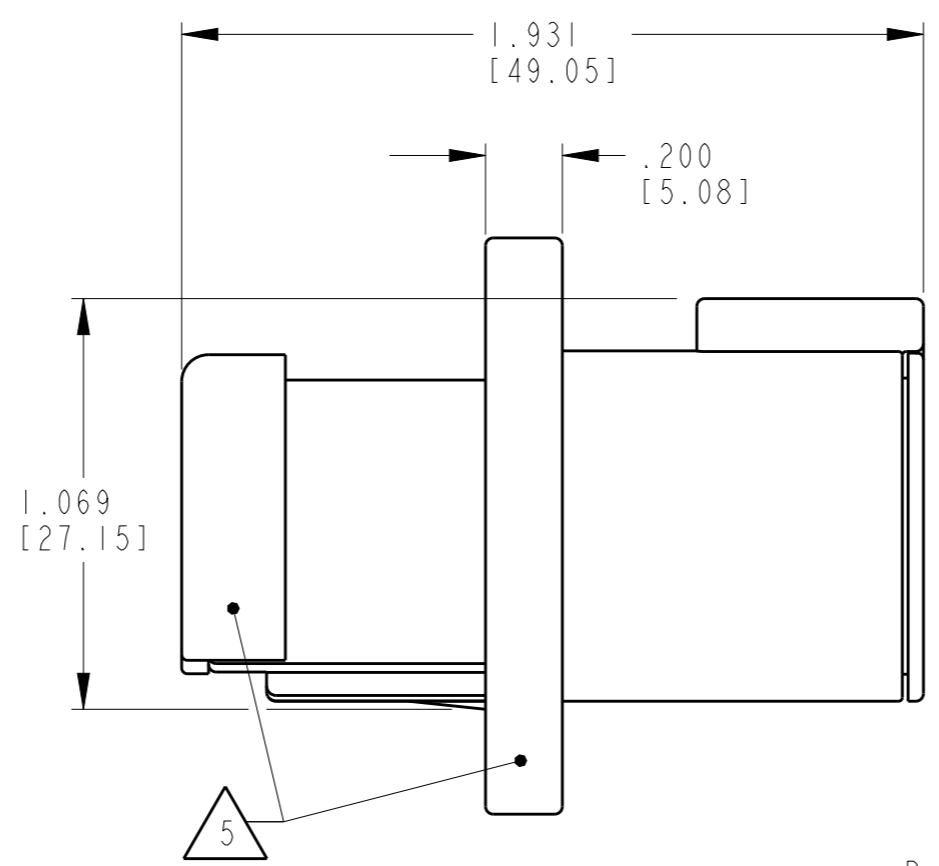
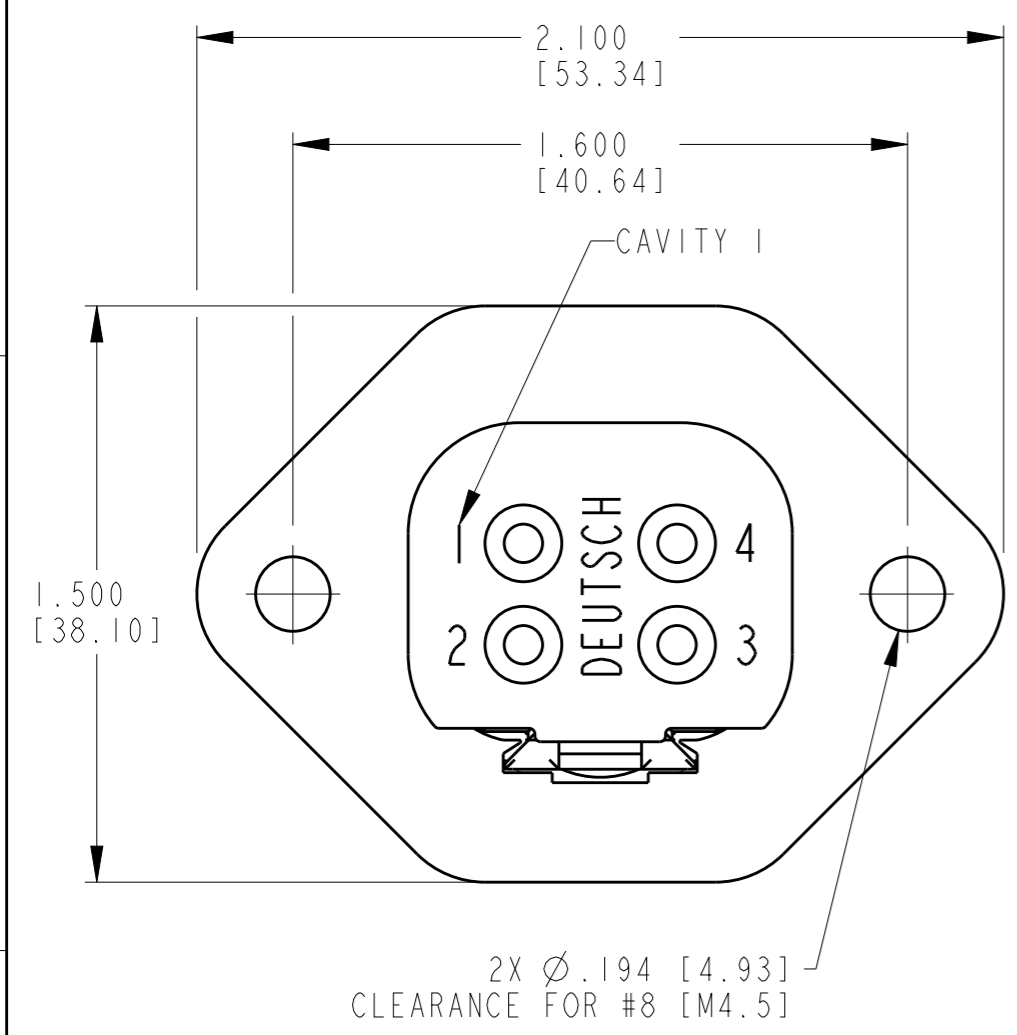


THIS DRAWING IS UNPUBLISHED
 RELEASED FOR PUBLICATION 2015
 © COPYRIGHT 2015 BY - TE CONNECTIVITY ALL RIGHTS RESERVED.

LOC	DIST	REVISIONS			
P	LTR	DESCRIPTION	DATE	DWN	APVD
-	-	NC	NEW RELEASE PER E.O. PI8702	21OCT2004	- RDR
		A	REVISED PER E.O. P20373	23DEC2009	- RDR
		B	REVISED PER ECO-15-003592	09APR2015	VNB DM



SCALE 1:1

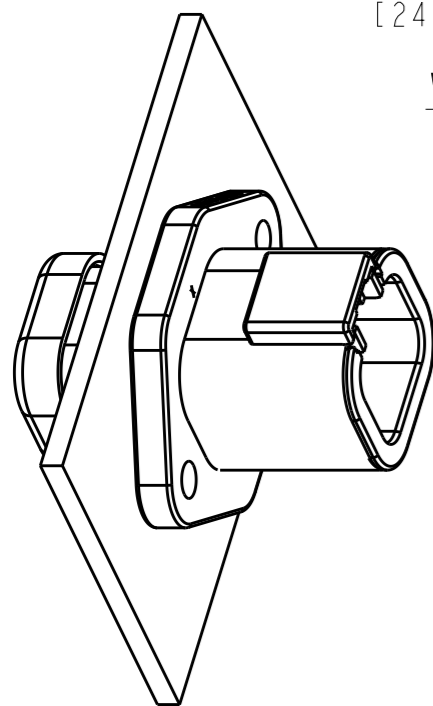
- 6. DATE CODE: MONTH IS REPRESENTED BY SEQUENTIAL ALPHA CHARACTERS. EX: A=JANUARY; YEAR IS REPRESENTED BY LAST NUMERICAL DIGIT. EX: 8=2008
- 5. MODIFICATION: END CAP AND FLANGE ADDED.
- 4. MATERIAL: RECEPTACLE HOUSING, END CAP, FLANGE: PA 66 GF15 (GRAY)
 GROMMET: SILICONE (ORANGE-RED)
 INTERFACE SEAL: SILICONE, PHENYL FLUID LUBRICATED (GREEN)
- 3. THIS RECEPTACLE MATES WITH DTP06-4S-XXXX PLUG. (XXXX = ALL MODIFICATIONS)
- 2. SECONDARY WEDGE LOCK SOLD SEPARATELY, WP-4P.
- 1. DIMENSION TOLERANCE: ±.025 [.64], PANEL CUTOUT: ±.010 [.25]. SEE SHEET 2.

CONTACT SIZE	MIN. INSUL. O.D.	MAX INSUL. O.D.	WIRE RANGE [mm ²] REF ONLY
12	.134 [3.40]	.170 [4.32]	10-14 AWG [5.0-2.0]

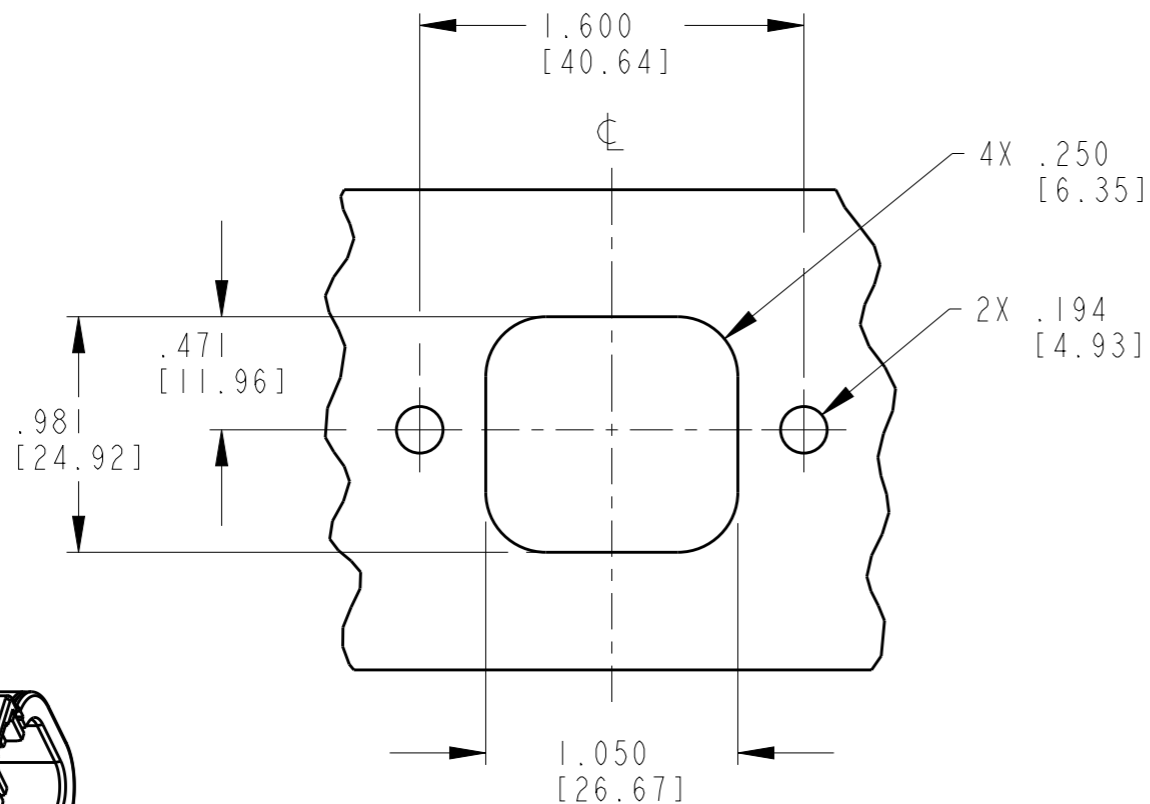


THIS DRAWING IS A CONTROLLED DOCUMENT.		DWN D. MEYER 23SEP2004	TE TE Connectivity NAME RECEPTACLE 4 CONTACTS, SIZE 12 -LE07 MOD DTP SERIES	
DIMENSIONS: INCHES [mm]		CHK B. BYFORD 23DEC2009		
TOLERANCES UNLESS OTHERWISE SPECIFIED:		APVD R. REED 03DEC2009	SIZE A3 CAGE CODE 4AFU8 DRAWING NO. DTP04-4P-LE07 RESTRICTED TO -	
0 PLC ±- 1 PLC ±- 2 PLC ±- 3 PLC ±- 4 PLC ±- ANGLES ±- FINISH -		PRODUCT SPEC -	SCALE 2:1 SHEET 1 OF 2 REV B	
MATERIAL 4		APPLICATION SPEC -	Customer Drawing	
		WEIGHT 19.49g		

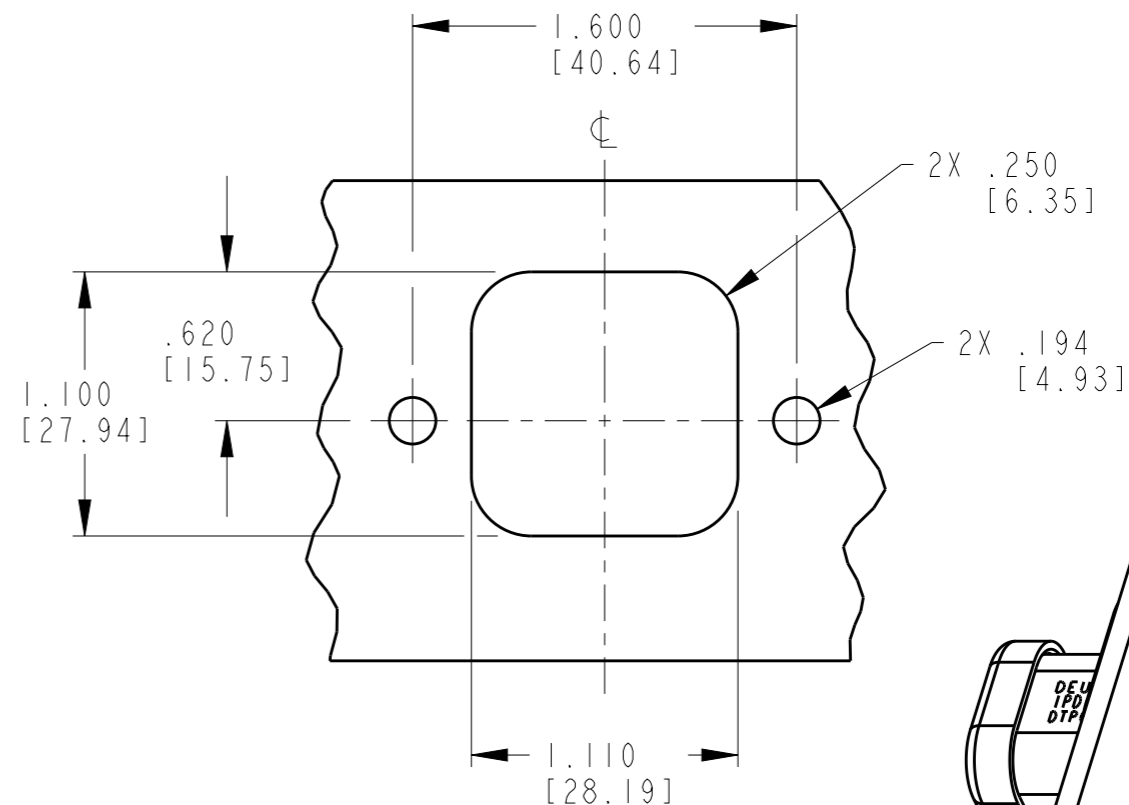
LOC	DIST	REVISIONS					
		P	LTR	DESCRIPTION	DATE	DWN	APVD
-	-		-	SEE SHEET 1	-	-	-



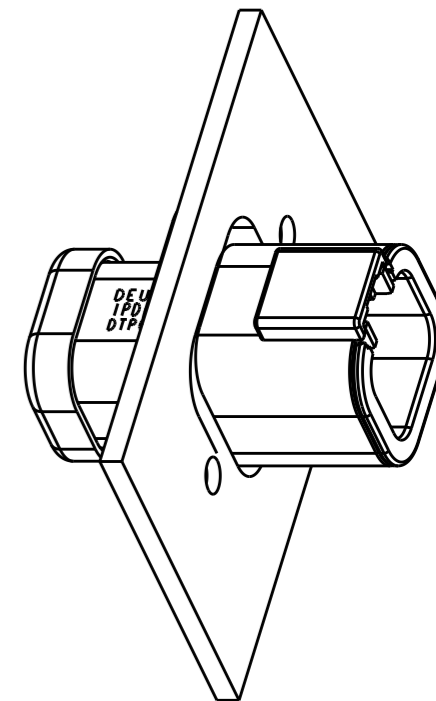
FRONT MOUNT
REFERENCE VIEW




RECOMMENDED CUTOUT
FRONT MOUNT



RECOMMENDED CUTOUT
REAR MOUNT



REAR MOUNT
REFERENCE VIEW

THIS DRAWING IS A CONTROLLED DOCUMENT.		DWN D. MEYER 23SEP2004	 TE Connectivity		
DIMENSIONS: INCHES [mm]		CHK B. BAYFORD 23DEC2009			
TOLERANCES UNLESS OTHERWISE SPECIFIED:		APVD R. REED 03DEC2009	NAME RECEPTACLE 4 CONTACTS, SIZE 12 -LE07 MOD DTP SERIES		
0 PLC ±- 1 PLC ±- 2 PLC ± 3 PLC ± 4 PLC ±- ANGLES ±-		PRODUCT SPEC -	RESTRICTED TO -		
MATERIAL		APPLICATION SPEC -	SIZE A3	CAGE CODE 4AFU8	DRAWING NO DTP04-4P-LE07
FINISH -		WEIGHT -	SCALE 2:1		SHEET 2 OF 2
		Customer Drawing	REV B		

Mouser Electronics

Authorized Distributor

Click to View Pricing, Inventory, Delivery & Lifecycle Information:

[TE Connectivity:](#)

[DTP04-4P-LE07](#)