



# CONNECTORS MANUFACTURER

## Ejector Header 2.54mm SMT / R/A / Straight / Press fit / Side Latch / IDC Type

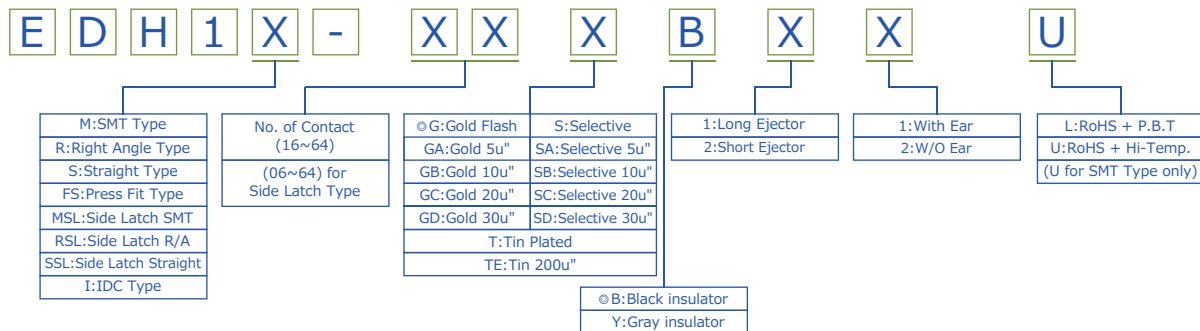
### Specifications

Current Rate: 3 AMP  
 Insulation Resistance: 1000MΩ Min.  
 Contact Resistance: 20mΩ Max.  
 Dielectric Voltage: 1000V AC for one minute  
 Operation Temperature: -40°C to +105°C

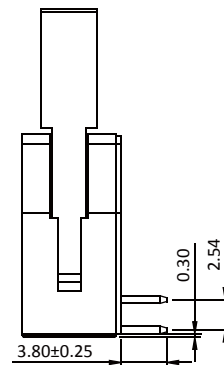
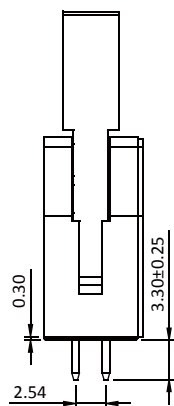
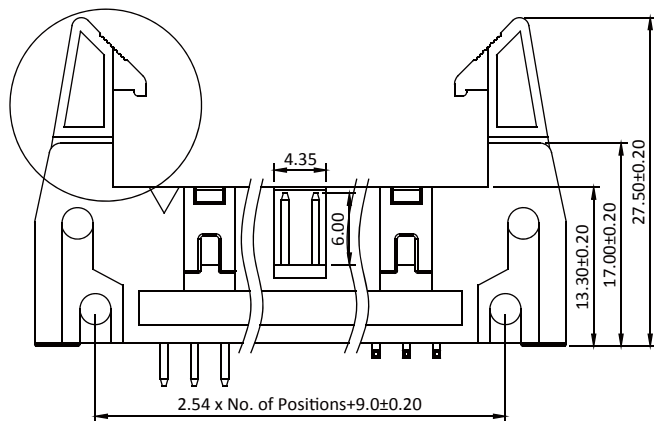
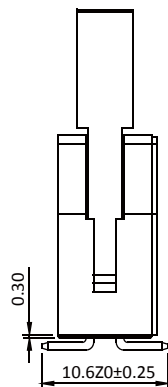
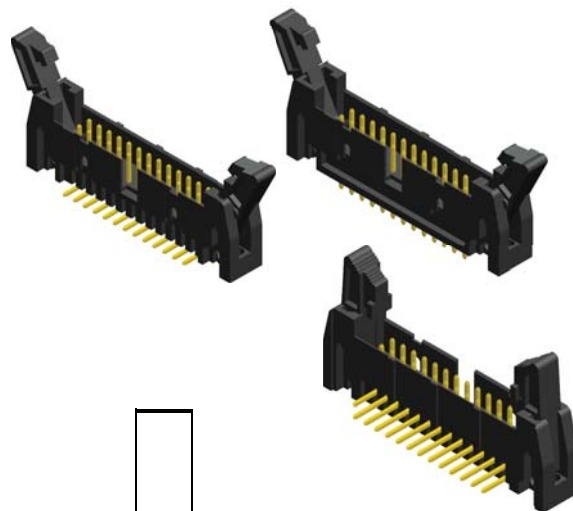
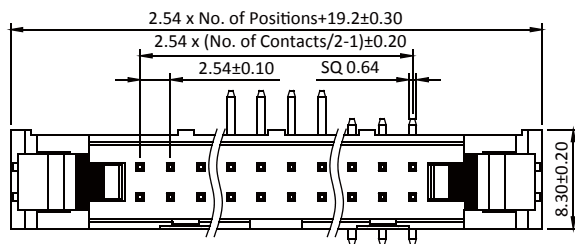
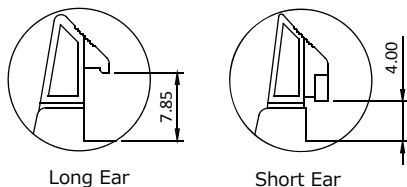
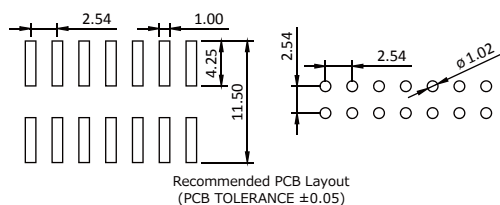
### Material

Insulator: P.B.T or Hi-Temp. Thermoplastic, UL 94V-0  
 Term/Inal: Copper Alloy  
 Plating: Gold Plated

## ORDER INFORMATION



## Ejector Header 2.54mm SMT / Right Angle / Straight Type



Part No.: EDH1M/R/S-XX-L/U

Ejector Header 2.54mm



ROHS

AMTEK CONNECTORS MANUFACTURER