

6

5

4

3

2

1

D

D

C

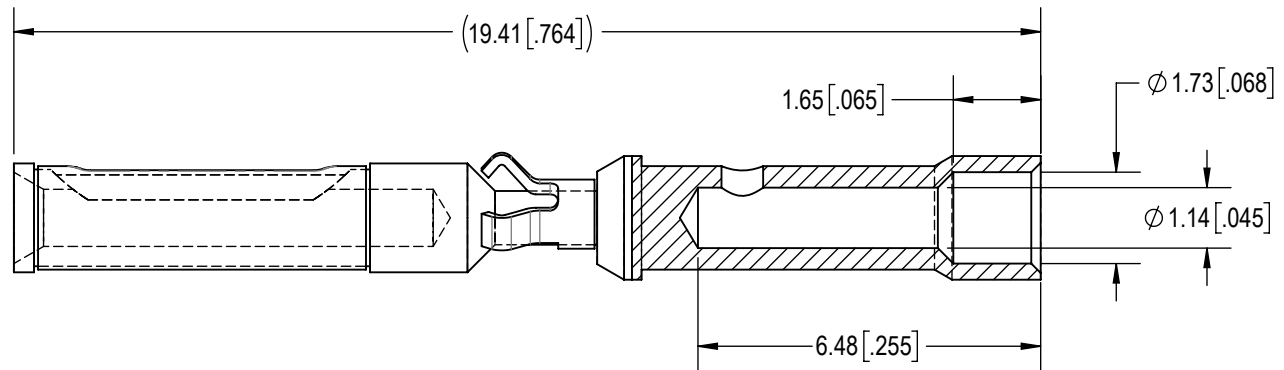
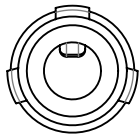
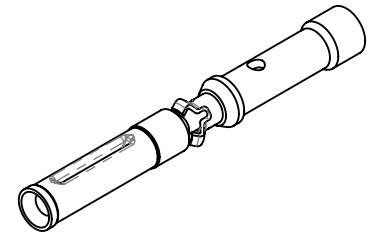
C

B

B

A

A

**NOTES:**

- MATERIAL AND FINISHES:**
 CONTACT: PRECISION-MACHINED COPPER ALLOY WITH GOLD FLASH OVER NICKEL PLATE.
 SPRING CLIP: BERYLLIUM COPPER, GOLD FLASH OVER NICKEL PLATE.
 RETENTION RING: BERYLLIUM COPPER, GOLD FLASH OVER NICKEL PLATE.
- DETAILED PRODUCT, MECHANICAL AND ELECTRICAL INFORMATION IS AVAILABLE IN THE LATEST INFINITY PRODUCT PUBLICATION AT CONNECTPOSITRONIC.COM
- CONTACT IS COMPLIANT TO THE CURRENT RoHS DIRECTIVE.

| | | | | |
|--|------------------------------|---------------------------|---|--|
| BY NVP | CHK EB | 3RD ANGLE | POSITRONIC BELIEVES THE DATA ON THE DRAWING TO BE RELIABLE. THE USER EMPLOYS SUCH INFORMATION AT HIS OWN DISCRETION AND RISK. POSITRONIC ASSUMES NO RESPONSIBILITY FOR RESULTS OBTAINED OR DAMAGES INCURRED FROM USE OF SUCH INFORMATION IN WHOLE OR IN PART. | Positronic® CONNECTPOSITRONIC.COM |
| APR RK | RELEASED DATE: 2019-03-12 | SCALE NTS | | |
| TOLERANCES $\pm 0.03\text{mm}$ [.001 INCHES] FOR MALE CONTACT MATING DIAMETERS $\pm 0.08\text{mm}$ [.003 INCHES] FOR CONTACT TERMINATION DIAMETERS $\pm 0.13\text{mm}$ [.005 INCHES] FOR ALL OTHER DIAMETERS $\pm 0.38\text{mm}$ [.015 INCHES] FOR ALL OTHER DIMENSIONS $\pm 5^\circ$ FOR ALL ANGLES DIMENSION ARE IN MILLIMETERS [INCHES] | | PART NUMBER FC720N2/AA | SERIES MIP | |
| | | TITLE FC720N2/AA | | |
| CREATED ON: 2019-02-22 | | SHEET SHEET 1 OF 1 | REV A | |

6

5

4

3

2

1