

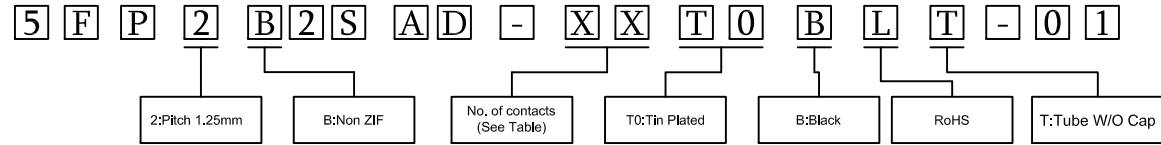
**SPECIFICATION**

Current Rating:1 AMP  
 Insulation Resistance:500M Ω Min.  
 Contact Resistance:30m Ω Max.  
 Dielectric Voltage:500V AC/Minute  
 Operation Temperature:-25°C to +85°C

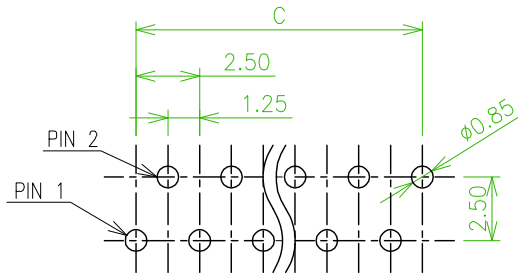
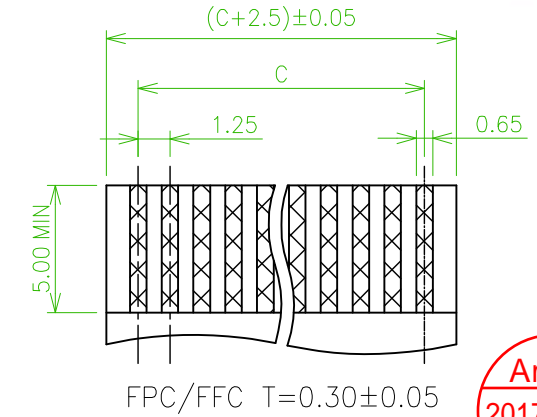
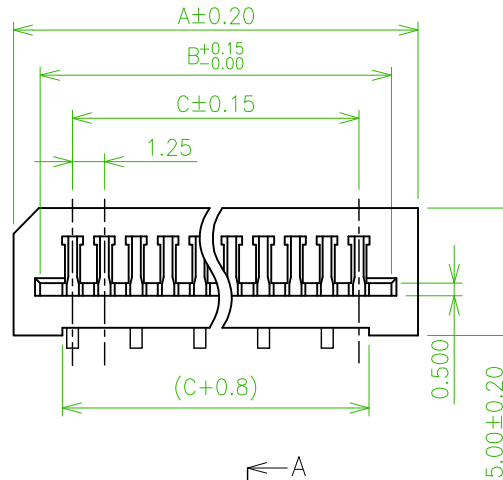
**MATERIAL**

Insulator:PBT,UL 94V-0  
 Contact Pin:Copper Alloy

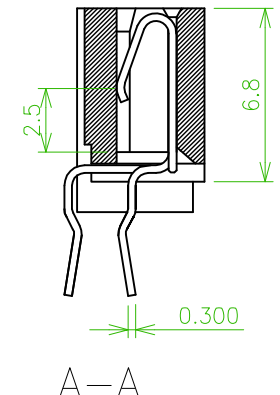
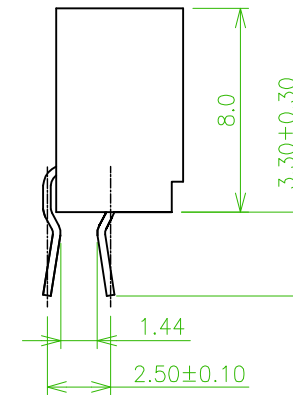
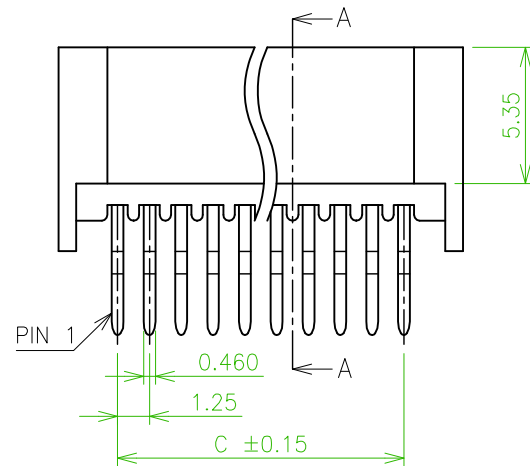
**ORDER INFORMATION**



Circuits	Dimension			Circuits	Dimension		
	A	B	C		A	B	C
4	8.40	6.30	3.75	24	33.40	31.30	28.75
5	9.65	7.55	5.00	25	34.65	32.55	30.00
6	10.90	8.80	6.25	26	35.90	33.80	31.25
7	12.15	10.05	7.50	27	37.15	35.05	32.50
8	13.40	11.30	8.75	28	38.40	36.30	33.75
9	14.65	12.55	10.00				
10	15.90	13.80	11.25				
11	17.15	15.05	12.50				
12	18.40	16.30	13.75				
14	20.90	18.80	16.25				
15	22.15	20.05	17.50				
16	23.40	21.30	18.75				
17	24.65	22.55	20.00				
18	25.90	23.80	21.25				
20	28.40	26.30	23.75				
21	29.65	27.55	25.00				
22	30.90	28.80	26.25				
23	32.15	30.05	27.50				



Recommended PCB Layout  
 (PCB TOLERANCE ±0.05)



Old Part No. : FPC2BSS6-XX-A-L

REV.	ECN NO. OR DESCRIPTION	REVISED	DATE
△	Revise the P/N:5FP2B2SAD-XXT0BLX-01->5FP2B2SAD-XXT0BLT-01	B	2017/02/21 Roy

TEL: 886-2-2260-6878  
 FAX: 886-2-2260-8030

品名 TITLE	FPC/FFC 1.25mm Non Zif Straight Dip Type				頁數 Page	1/1
品號 PART NO.	△ 5FP2B2SAD-XXT0BLT-01			繪圖 DRAWN	Roy 2015/09/23	
圖號 DRAWING NO.	GN033-RL494		版本 REV.	B	核對 CHECKED	John 2015/09/23
客戶品號 CUSTOMER P/N			比例 SCALE	None	承認 APPROVED	John 2015/09/23
公差 TOLERANCE	.X ±0.20 .XX ±0.10	.X°±3	單位 UNIT	mm	THIRD ANGLE PROJECTION	