

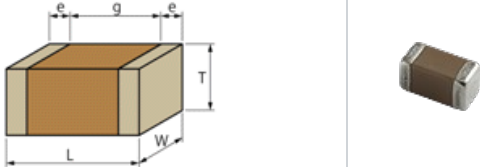
GCM31CR71E475KA55#

"#" indicates a package specification code.



< List of part numbers with package codes >
 GCM31CR71E475KA55L , GCM31CR71E475KA55K

Shape



| | |
|---------------------------------------|--------------|
| L size | 3.2 ±0.2mm |
| W size | 1.6 ±0.2mm |
| T size | 1.6 ±0.2mm |
| External terminal width e | 0.3 to 0.8mm |
| Distance between external terminals g | 1.5mm min. |
| Size code in inch(mm) | 1206 (3216M) |

References

| Packaging | Specifications | Minimum quantity |
|-----------|-------------------------|------------------|
| L | φ 180mm Embossed taping | 2000 |
| K | φ 330mm Embossed taping | 6000 |

| Mass (typ.) | |
|--------------|------|
| 1 piece | 52mg |
| φ 180mm Reel | 144g |

Specifications

| | |
|--|--------------|
| Capacitance | 4.7μF ±10% |
| Rated voltage | 25Vdc |
| Temperature characteristics (complied standard) | X7R(EIA) |
| Capacitance change rate | ±15.0% |
| Temperature range of temperature characteristics | -55 to 125°C |
| Operating temperature range | -55 to 125°C |

⚠ Attention

- 1.This datasheet is downloaded from the website of Murata Manufacturing Co., Ltd. Therefore, it's specifications are subject to change or our products in it may be discontinued without advance notice. Please check with our sales representatives or product engineers before ordering.
- 2.This datasheet has only typical specifications because there is no space for detailed specifications. Therefore, please review our product specifications or consult the approval sheet for product specifications before ordering.