



**MOTOROLA**

**MC14025B**  
See Page 6-5

**MC14025UB**  
See Page 6-14

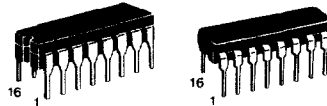
**MC14027B**

**CMOS SSI**  
(LOW-POWER COMPLEMENTARY MOS)  
**DUAL J-K FLIP-FLOP**

**DUAL J-K FLIP-FLOP**

The MC14027B dual J-K flip-flop has independent J, K, Clock (C), Set (S) and Reset (R) inputs for each flip-flop. These devices may be used in control, register, or toggle functions.

- Diode Protection on All Inputs
- Supply Voltage Range = 3.0 Vdc to 18 Vdc
- Logic Swing Independent of Fanout
- Logic Edge-Clocked Flip-Flop Design – Logic state is retained indefinitely with clock level either high or low; information is transferred to the output only on the positive-going edge of the clock pulse
- Capable of Driving Two Low-power TTL Loads or One Low-power Schottky TTL Load Over the Rated Temperature Range
- Pin-for-Pin Replacement for CD4027B



**L SUFFIX CERAMIC PACKAGE**      **P SUFFIX PLASTIC PACKAGE**  
CASE 620                              CASE 648

**ORDERING INFORMATION**

A Series: -55°C to +125°C  
MC14XXXBAL (Ceramic Package Only)

C Series: -40°C to +85°C  
MC14XXXBCP (Plastic Package)  
MC14XXXBCL (Ceramic Package)

**MAXIMUM RATINGS\*** (Voltages Referenced to V<sub>SS</sub>)

Symbol	Parameter	Value	Unit
V <sub>DD</sub>	DC Supply Voltage	-0.5 to +18.0	V
V <sub>in</sub> , V <sub>out</sub>	Input or Output Voltage (DC or Transient)	-0.5 to V <sub>DD</sub> + 0.5	V
I <sub>in</sub> , I <sub>out</sub>	Input or Output Current (DC or Transient), per Pin	±10	mA
P <sub>D</sub>	Power Dissipation, per Package†	500	mW
T <sub>stg</sub>	Storage Temperature	-65 to +150	°C
T <sub>L</sub>	Lead Temperature (8-Second Soldering)	260	°C

\*Maximum Ratings are those values beyond which damage to the device may occur.  
†Temperature Derating: Plastic "P" Package: -12mW/°C from 65°C to 85°C  
Ceramic "L" Package: -12mW/°C from 100°C to 125°C

**TRUTH TABLE**

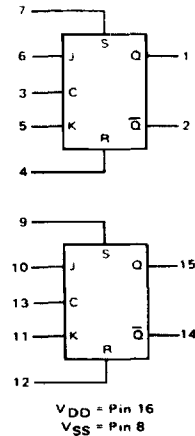
C†	INPUTS				OUTPUTS*		
	J	K	S	R	Q <sub>n</sub> ‡	Q <sub>n+1</sub>	Q̄ <sub>n+1</sub>
1	1	X	0	0	0	1	0
1	X	0	0	0	0	1	0
1	0	X	0	0	0	0	1
1	X	1	0	0	1	0	1
1	1	1	0	0	Q <sub>0</sub>	Q̄ <sub>0</sub>	Q <sub>0</sub>
1	X	X	0	0	X	Q <sub>n</sub>	Q̄ <sub>n</sub>
X	X	X	1	0	X	1	0
X	X	X	0	1	X	0	1
X	X	X	1	1	X	1	1

No Change

X = Don't Care      ‡ = Present State  
† = Level Change      \* = Next State

This device contains protection circuitry to guard against damage due to high static voltages or electric fields. However, precautions must be taken to avoid applications of any voltage higher than maximum rated voltages to this high-impedance circuit. For proper operation, V<sub>in</sub> and V<sub>out</sub> should be constrained to the range V<sub>SS</sub> ≤ (V<sub>in</sub> or V<sub>out</sub>) ≤ V<sub>DD</sub>. Unused inputs must always be tied to an appropriate logic voltage level (e.g., either V<sub>SS</sub> or V<sub>DD</sub>). Unused outputs must be left open.

**BLOCK DIAGRAM**



**6**

# MC14027B

## ELECTRICAL CHARACTERISTICS (Voltages Referenced to V<sub>SS</sub>)

Characteristic	Symbol	V <sub>DD</sub> Vdc	T <sub>low</sub> *		25°C			T <sub>high</sub> *		Unit
			Min	Max	Min	Typ #	Max	Min	Max	
Output Voltage V <sub>in</sub> = V <sub>DD</sub> or 0  V <sub>in</sub> = 0 or V <sub>DD</sub>	"0" Level V <sub>OL</sub>	5.0	—	0.05	—	0	0.05	—	0.05	Vdc
		10	—	0.05	—	0	0.05	—	0.05	
		15	—	0.05	—	0	0.05	—	0.05	
	"1" Level V <sub>OH</sub>	5.0	4.95	—	4.95	5.0	—	4.95	—	Vdc
		10	9.95	—	9.95	10	—	9.95	—	
		15	14.95	—	14.95	15	—	14.95	—	
Input Voltage (V <sub>O</sub> = 4.5 or 0.5 Vdc) (V <sub>O</sub> = 9.0 or 1.0 Vdc) (V <sub>O</sub> = 13.5 or 1.5 Vdc)  (V <sub>O</sub> = 0.5 or 4.5 Vdc) (V <sub>O</sub> = 1.0 or 9.0 Vdc) (V <sub>O</sub> = 1.5 or 13.5 Vdc)	"0" Level V <sub>IL</sub>	5.0	—	1.5	—	2.25	1.5	—	1.5	Vdc
		10	—	3.0	—	4.50	3.0	—	3.0	
		15	—	4.0	—	6.75	4.0	—	4.0	
	"1" Level V <sub>IH</sub>	5.0	3.5	—	3.5	2.75	—	3.5	—	Vdc
		10	7.0	—	7.0	5.50	—	7.0	—	
		15	11.0	—	11.0	8.25	—	11.0	—	
Output Drive Current (AL Device) (V <sub>OH</sub> = 2.5 Vdc) (V <sub>OH</sub> = 4.6 Vdc) (V <sub>OH</sub> = 9.5 Vdc) (V <sub>OH</sub> = 13.5 Vdc)  (V <sub>OL</sub> = 0.4 Vdc) (V <sub>OL</sub> = 0.5 Vdc) (V <sub>OL</sub> = 1.5 Vdc)	Source I <sub>OH</sub>	5.0	-3.0	—	-2.4	-4.2	—	-1.7	—	mA <sub>dc</sub>
		10	-0.64	—	-0.51	-0.88	—	-0.36	—	
		15	-1.6	—	-1.3	-2.25	—	-0.9	—	
	Sink I <sub>OL</sub>	5.0	0.64	—	0.51	0.88	—	0.36	—	mA <sub>dc</sub>
		10	1.6	—	1.3	2.25	—	0.9	—	
		15	4.2	—	3.4	8.8	—	2.4	—	
Output Drive Current (CL/CP Device) (V <sub>OH</sub> = 2.5 Vdc) (V <sub>OH</sub> = 4.6 Vdc) (V <sub>OH</sub> = 9.5 Vdc) (V <sub>OH</sub> = 13.5 Vdc)  (V <sub>OL</sub> = 0.4 Vdc) (V <sub>OL</sub> = 0.5 Vdc) (V <sub>OL</sub> = 1.5 Vdc)	Source I <sub>OH</sub>	5.0	-2.5	—	-2.1	-4.2	—	-1.7	—	mA <sub>dc</sub>
		10	-0.52	—	-0.44	-0.88	—	-0.36	—	
		15	-1.3	—	-1.1	-2.25	—	-0.9	—	
	Sink I <sub>OL</sub>	5.0	0.52	—	0.44	0.88	—	0.36	—	mA <sub>dc</sub>
		10	1.3	—	1.1	2.25	—	0.9	—	
		15	3.6	—	3.0	8.8	—	2.4	—	
Input Current (AL Device)	I <sub>in</sub>	15	—	±0.1	—	±0.00001	±0.1	—	±1.0	μA <sub>dc</sub>
Input Current (CL/CP Device)	I <sub>in</sub>	15	—	±0.3	—	±0.00001	±0.3	—	±1.0	μA <sub>dc</sub>
Input Capacitance (V <sub>in</sub> = 0)	C <sub>in</sub>	—	—	—	—	5.0	7.5	—	—	pF
Quiescent Current (AL Device) (Per Package)	I <sub>DD</sub>	5.0	—	1.0	—	0.002	1.0	—	30	μA <sub>dc</sub>
		10	—	2.0	—	0.004	2.0	—	60	
		15	—	4.0	—	0.006	4.0	—	120	
Quiescent Current (CL/CP Device) (Per Package)	I <sub>DD</sub>	5.0	—	4.0	—	0.002	4.0	—	30	μA <sub>dc</sub>
		10	—	8.0	—	0.004	8.0	—	60	
		15	—	16	—	0.006	16	—	120	
Total Supply Current**† (Dynamic plus Quiescent, Per Package) (C <sub>L</sub> = 50 pF on all outputs, all buffers switching)	I <sub>T</sub>	5.0 10 15	I <sub>T</sub> = (0.80 μA/kHz) f + I <sub>DD</sub> I <sub>T</sub> = (1.60 μA/kHz) f + I <sub>DD</sub> I <sub>T</sub> = (2.40 μA/kHz) f + I <sub>DD</sub>						μA <sub>dc</sub>	

\*T<sub>low</sub> = -55°C for AL Device, -40°C for CL/CP Device  
T<sub>high</sub> = +125°C for AL Device, +85°C for CL/CP Device.

#Data labelled "Typ" is not to be used for design purposes but is intended as an indication of the IC's potential performance.

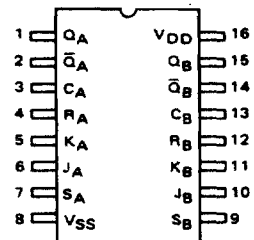
\*\*The formulas given are for the typical characteristics only at 25°C

†To calculate total supply current at loads other than 50 pF:

$$I_T(C_L) = I_T(50 \text{ pF}) + (C_L - 50) V f k$$

where: I<sub>T</sub> is in μA (per package), C<sub>L</sub> in pF, V = (V<sub>DD</sub> - V<sub>SS</sub>) in volts, f in kHz is input frequency, and k = 0.002

### PIN ASSIGNMENT



# MC14027B

## SWITCHING CHARACTERISTICS\* ( $C_L = 50 \text{ pF}$ , $T_A = 25^\circ\text{C}$ )

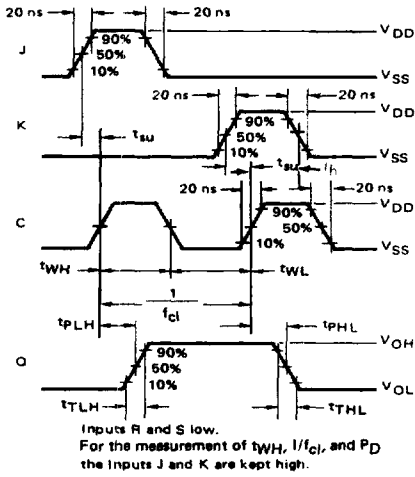
Characteristic	Symbol	V <sub>DD</sub>	Min	Typ #	Max	Unit
Output Rise and Fall Time $t_{TLH}, t_{THL} = (1.5 \text{ ns/pF}) C_L + 25 \text{ ns}$ $t_{TLH}, t_{THL} = (0.75 \text{ ns/pF}) C_L + 12.5 \text{ ns}$ $t_{TLH}, t_{THL} = (0.55 \text{ ns/pF}) C_L + 12.5 \text{ ns}$	$t_{TLH}, t_{THL}$	5.0 10 15	— — —	100 50 40	200 100 80	ns
Propagation Delay Times** Clock to Q, Q $t_{PLH}, t_{PHL} = (1.7 \text{ ns/pF}) C_L + 90 \text{ ns}$ $t_{PLH}, t_{PHL} = (0.66 \text{ ns/pF}) C_L + 42 \text{ ns}$ $t_{PLH}, t_{PHL} = (0.5 \text{ ns/pF}) C_L + 25 \text{ ns}$ Set to Q, Q $t_{PLH}, t_{PHL} = (1.7 \text{ ns/pF}) C_L + 90 \text{ ns}$ $t_{PLH}, t_{PHL} = (0.66 \text{ ns/pF}) C_L + 42 \text{ ns}$ $t_{PLH}, t_{PHL} = (0.5 \text{ ns/pF}) C_L + 25 \text{ ns}$ Reset to Q, Q $t_{PLH}, t_{PHL} = (1.7 \text{ ns/pF}) C_L + 265 \text{ ns}$ $t_{PLH}, t_{PHL} = (0.66 \text{ ns/pF}) C_L + 67 \text{ ns}$ $t_{PLH}, t_{PHL} = (0.5 \text{ ns/pF}) C_L + 50 \text{ ns}$	$t_{PLH}, t_{PHL}$	5.0 10 15	— — —	175 75 50	350 150 100	ns
Setup Times	$t_{su}$	5.0 10 15	140 50 35	70 26 17	— — —	ns
Hold Times	$t_h$	5.0 10 15	140 50 35	70 25 17	— — —	ns
Clock Pulse Width	$t_{WH}, t_{WL}$	5.0 10 15	330 110 75	166 55 38	— — —	ns
Clock Pulse Frequency	$f_{cl}$	5.0 10 15	— — —	3.0 9.0 13	1.5 4.5 6.5	MHz
Clock Pulse Rise and Fall Time	$t_{TLH}, t_{THL}$	5.0 10 15	— — —	— — —	15 5.0 4.0	$\mu\text{s}$
Removal Times  Set  Reset	$t_{rem}$	5 10 15	90 45 35	10 5 3	— — —	ns
Set and Reset Pulse Width	$t_{WH}$	5.0 10 15	250 100 70	125 50 35	— — —	ns

\*The formulas given are for the typical characteristics only at 25°C.

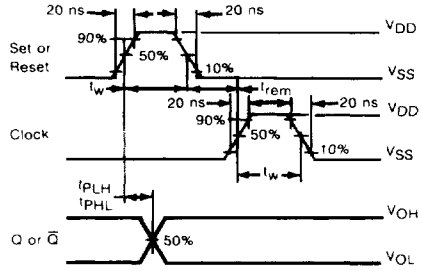
#Data labelled "Typ" is not to be used for design purposes but is intended as an indication of the IC's potential performance

# MC14027B

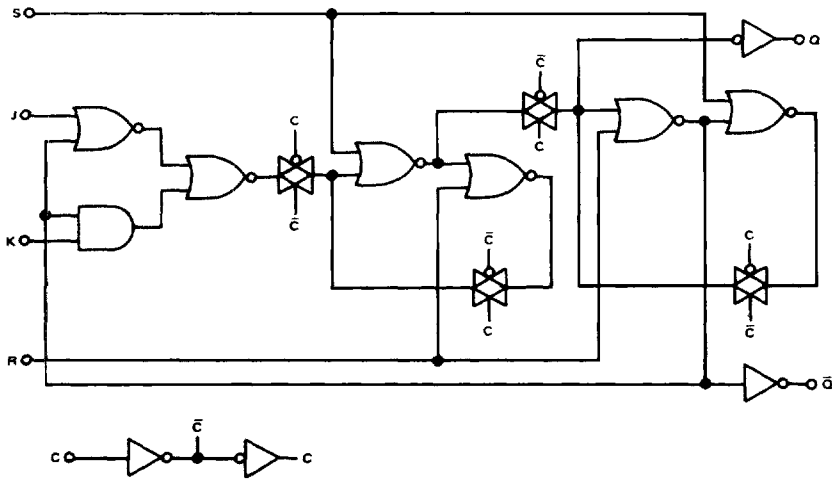
**FIGURE 1 — DYNAMIC SIGNAL WAVEFORMS**  
(J, K, Clock, and Output)



**FIGURE 2 — DYNAMIC SIGNAL WAVEFORMS**  
(Set, Reset, Clock, and Output)



**LOGIC DIAGRAM**  
(1/2 of Device Shown)



6