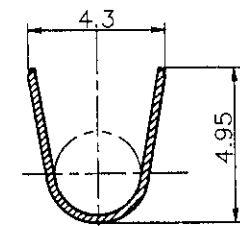
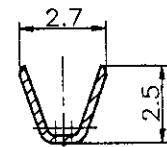
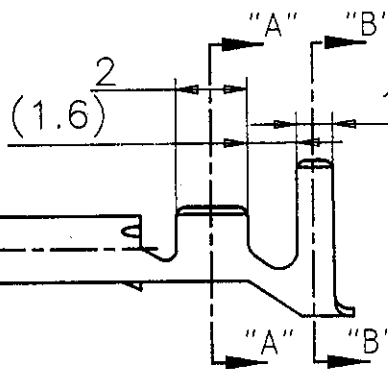
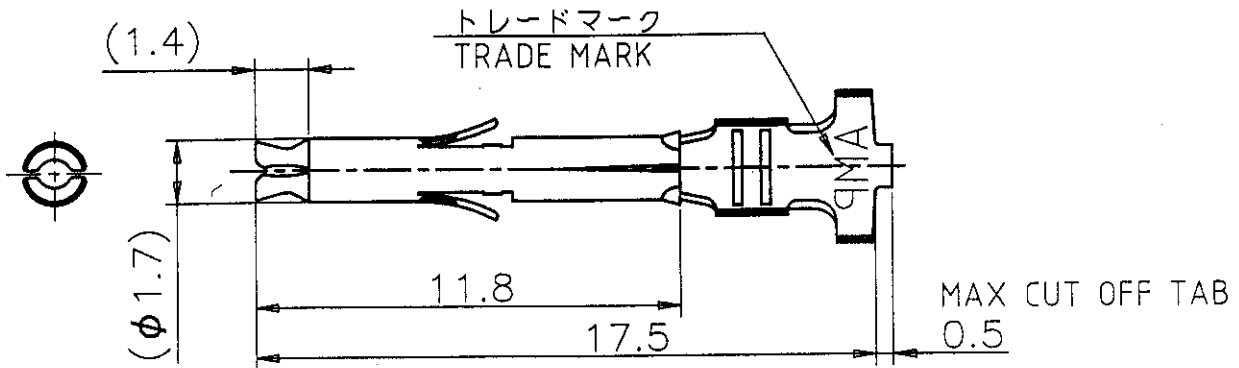


LOC		DIST		REVISIONS			
P	LTR	DESCRIPTION		DATE	DWN	APVD	
B1		REVISED PER ECO-11-005030		22MAR11	RK	HMR	



注記)

1. 使用ハウジングはキャップ及びプラグ
- ② 製品規格 108-5138, 108-5151
- ③ 取付適用規格 114-5050
4. 取扱説明書 411-5105

NOTES)

1. APPLICABLE HOUSING; CAP AND PLUG
- ② PRODUCT SPECIFICATION 108-5138, 108-5151
- ③ APPLICATION SPECIFICATION 114-5050
4. INSTRUCTION SHEET 411-5105

171639-1
型番 (PART NO.)

WIRE RANGE 適合電線断面積 0.5-1.3mm ² AWG #20-16	INSULATION DIA 被覆外径 2.0-3.2mmDia 2.4mmDia x 2
MATERIAL 材料 黄銅 (BRASS): 0.25t	FINISH 仕上 PRE-TIN

DIMENSIONS: 単位 MM	DWN <i>A. Dish</i> 16 FEB 00
TOLERANCES UNLESS OTHERWISE SPECIFIED: 一般公差	CHK <i>M. S.</i> 16 FEB 00
±0.3	APVD <i>M. S.</i> 16 FEB 00
ANGLES ±1°	PRODUCT SPEC 製品規格 表参照 SEE TABLE ②
	APPLICATION SPEC 取付適用規格 表参照 SEE TABLE ③

TE TE Connectivity	
NAME 名称 SOCKET (LOOSE PIECE) MINI UNIVERSAL MATE-N-LOK	
SIZE 尺貫 A4	CAGE CODE 番号 00779
DRAWING NO 番号 C=171639	RESTRICTED TO

CUSTOMER DRAWING	SCALE 尺貫 5:1	SHEET 頁 1 OF 1	REV 番 B1
------------------	-----------------	-------------------	-------------

参考図面

RELEASED FOR PUBLICATION

ALL RIGHTS RESERVED.

THIS DRAWING IS UNPUBLISHED.

COPYRIGHT

Mouser Electronics

Authorized Distributor

Click to View Pricing, Inventory, Delivery & Lifecycle Information:

[TE Connectivity:](#)

[171639-1](#)