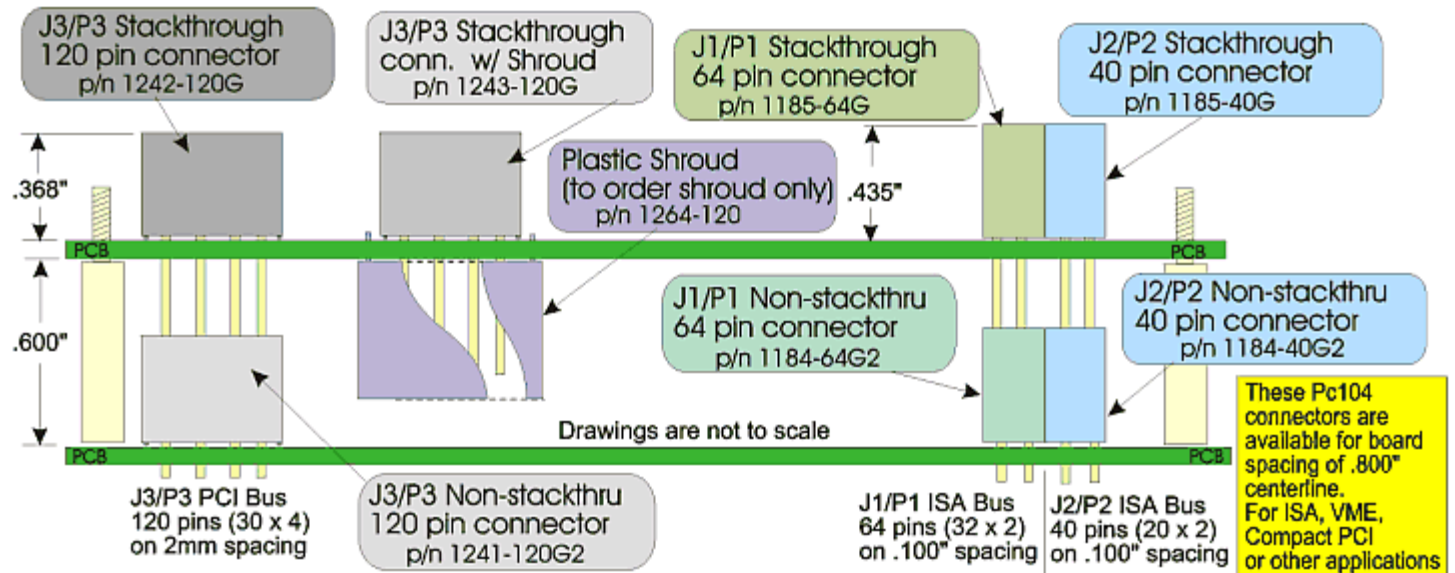


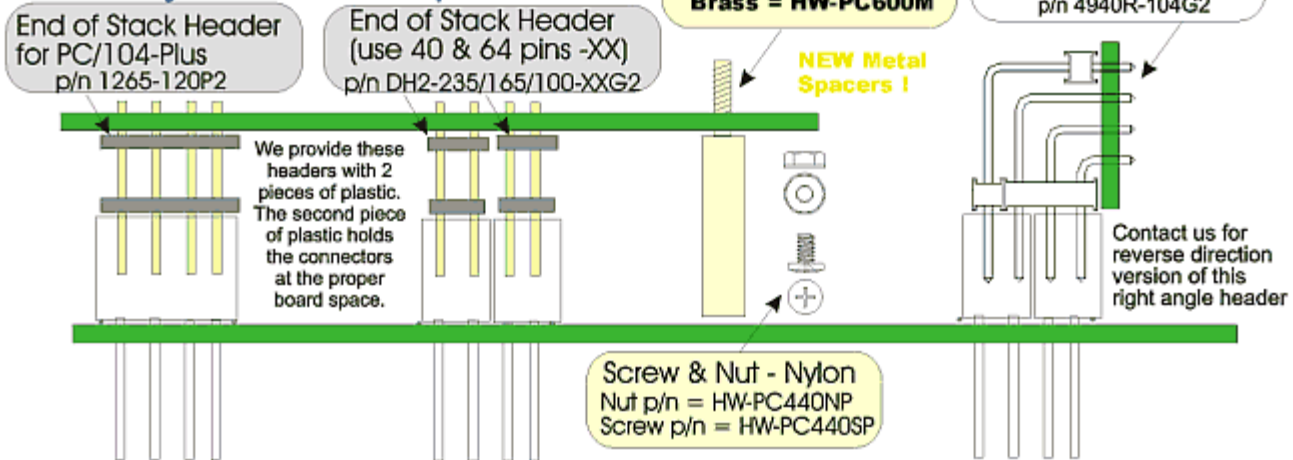
PC/104 & Plus Connectors and Hardware

We offer the widest selection of PC/104 connectors. This PDF download is a collection of our PC/104 connectors from our standard catalog. Please consult our web site for the latest product information.

In the illustration below we show some of the connectors available for the PC/104 bus. The part numbers listed below are the ones we recommend for use with the PC/104 & Plus bus. These comply fully with the PC/104 standards. We also offer other connectors which can be used with the PC/104 bus.



Below are connectors which can be used if you do not need the female part of the connector. This is OK if your board is the top most board.

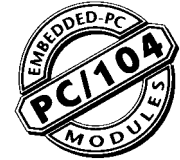
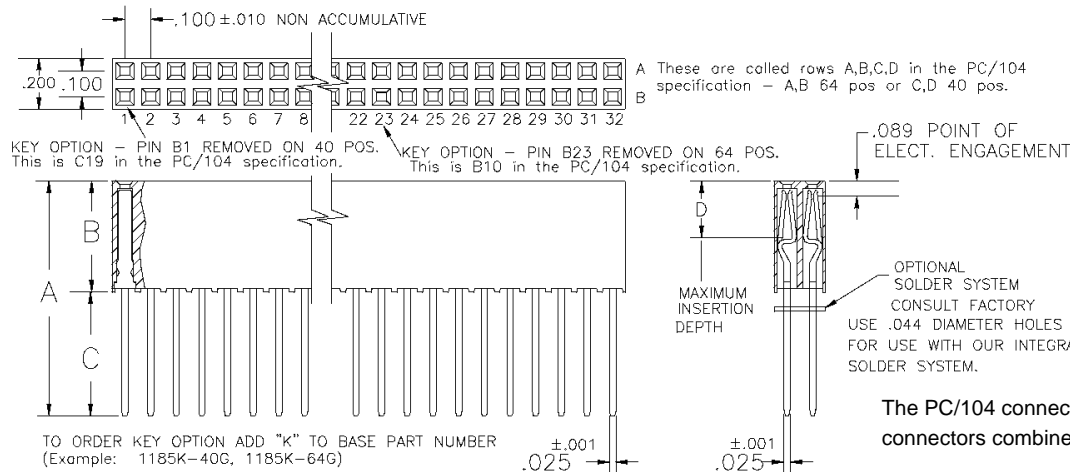


Contact us if you need a connector or hardware different from the ones listed in this brochure. We can provide application specific connectors to meet your exact requirements. We offer the above connectors with pin lengths for boards on .800" spacing. These provide PC/104 connections for boards in VME, CompactPCI, and other standards.

COMM CON CONNECTORS, INC. on-line catalog: www.commcon.com

1848 Evergreen St., Duarte, CA 91010 • (626) 301-4200 • FAX (626) 301-4212 • info@commcon.com

STACKTHROUGH - J1 & J2 40 / 64 POSITIONS

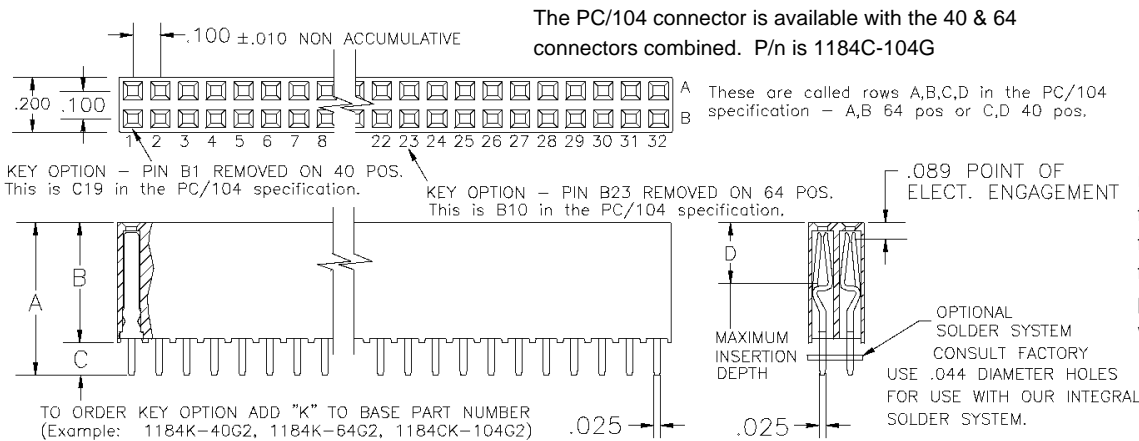


Use 40 and 64 positions for PC/104. Consult factory or our web site for information on processing the connector with integral solder.

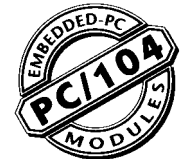
The PC/104 connector is available with the 40 & 64 connectors combined. P/n is 50711C-104G

PART NUMBER	"A"		"B"		"C"		MAX INSERT DEPTH "D"		PLATING OPTIONS YY	NUMBER OF POSITIONS XX
	mm	Inch	mm	Inch	mm	Inch	mm	Inch		
1185-XXYY	23.29	.917	11.05	.435	12.24	.482	6.53	.257	G	4 - 64
1185K-XXYY	This is keyed version of the 1185.									
50711-XXYY	This is the 1185 with solder.									
50711C-XXYY	Both the 64 & 40 position 50711 connectors are combined into one.									
50711CK-XXYY	This is keyed version of the 50711C.									

NON-STACKTHROUGH - J1 & J2 40 / 64 POSITIONS



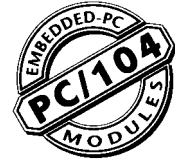
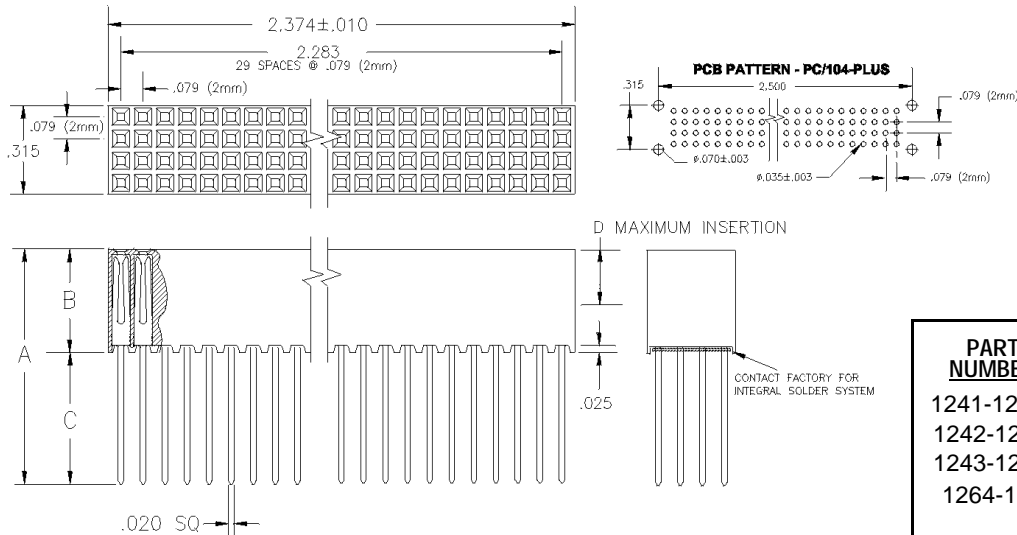
The PC/104 connector is available with the 40 & 64 connectors combined. P/n is 1184C-104G



Use 40 and 64 positions for PC/104. Consult factory or our web site for information on processing the connector with integral solder.

PART NUMBER	"A"		"B"		"C"		MAX INSERT DEPTH "D"		PLATING OPTIONS YY	NUMBER OF POSITIONS XX
	mm	Inch	mm	Inch	mm	Inch	mm	Inch		
1184-XXYY	13.84	.545	11.05	.435	2.80	.110	6.53	.257	G2	4 - 64
1184K-XXYY	This is keyed version of the 1184.									
1184C-XXYY	Both the 64 & 40 position 1184 connectors are combined into one.									
1184CK-XXYY	This is keyed version of the 1184C.									
50752-XXYY	This is the 1184 with solder.									
50752C-XXYY	Both the 64 & 40 position 50752 connectors are combined into one.									
50752CK-XXYY	This is keyed version of the 50752C.									

FOUR ROW 2mm for PC/104-PLUS

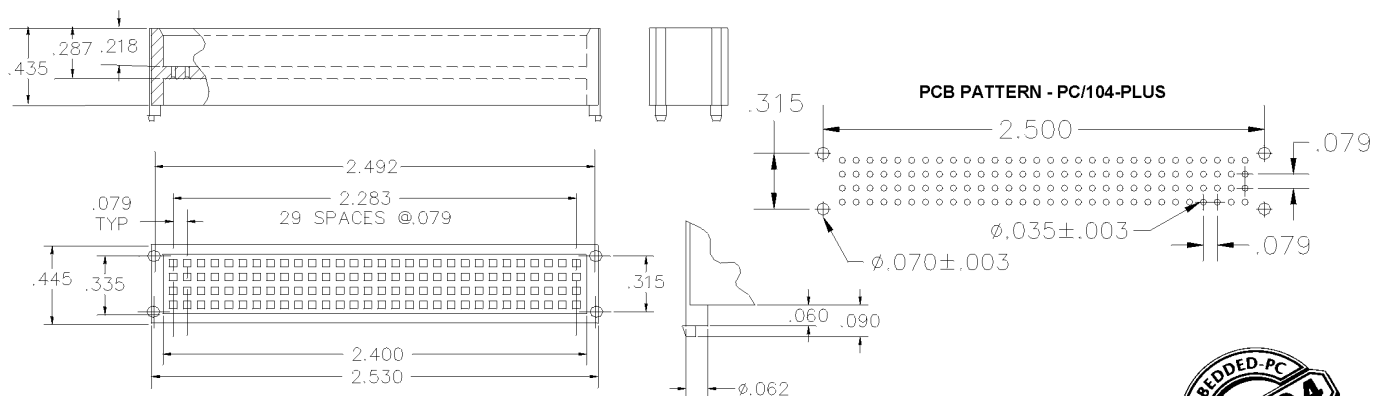


PART NUMBER	PC/104-Plus
1241-120G2	Non-Stackthrough
1242-120G	Stackthrough
1243-120G	Stackthru w/ Shroud
1264-120	Shroud only

PART NUMBER	"A"		"B"		"C"		MAX INSERT DEPTH "D"		PLATING OPTIONS YY	NUMBER OF POSITIONS XX
	mm	Inch	mm	Inch	mm	Inch	mm	Inch		
1241-XXYY	11.68	.460	9.35	.368	2.34	.092	5.08	.200	G2	120
1242-XXYY	21.34	.840	9.35	.368	11.99	.472	5.08	.200	G	120
1243-XXYY	21.34	.840	9.35	.368	11.99	.472	5.08	.200	G	120

The 1243 is the same as the 1242 but comes with the plastic shroud p/n 1264-120 (see below)
 CONTACT FACTORY FOR THE ABOVE CONNECTORS WITH INTEGRAL SOLDER

PLASTIC SHROUD FOR PC/104-PLUS

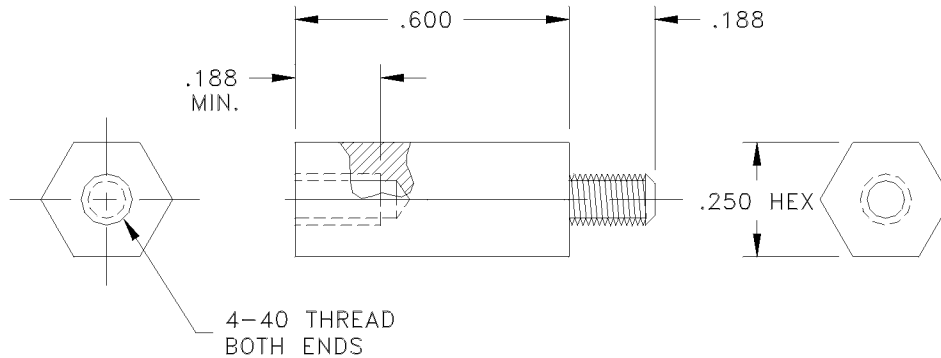


PART NUMBER	NUMBER OF POSITIONS
1264-120	120



HARDWARE

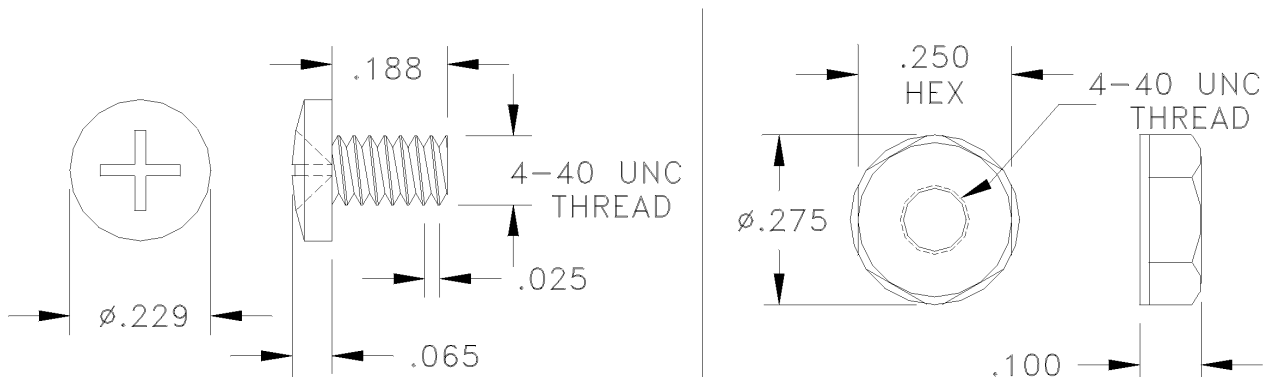
SPACER FOR PC/104 (.60" between boards)



For mating nut use p/n HW-PC440NP. For screw use p/n HW-PC440SP.

PART NUMBER	DESCRIPTION
HW-PC600P	Spacer - plastic
HW-PC600M	Spacer - metal (nickle plated brass)
HW-PC600A	Spacer - aluminum (clear iridite plating)

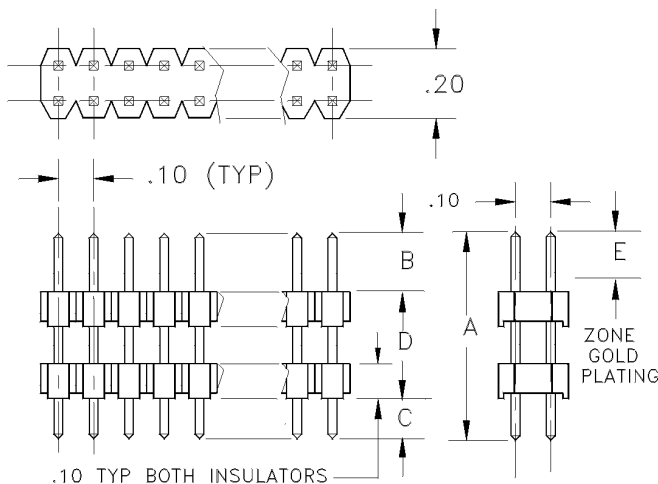
SCREW & NUT FOR PC/104 SPACER



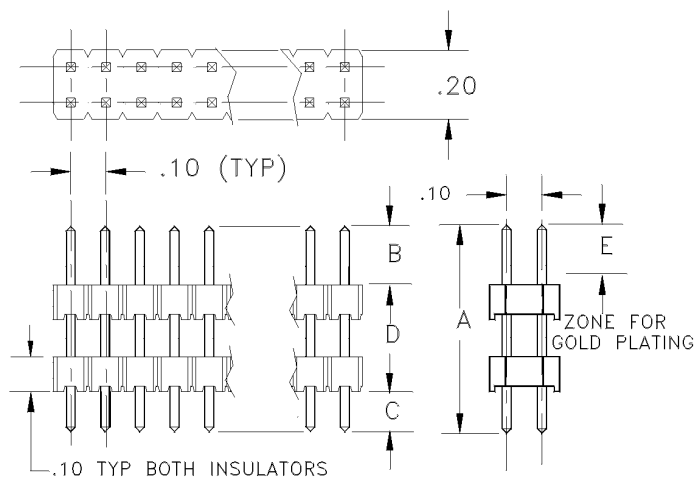
NOTES:
 1. MATERIAL: NYLON 6/6 UL 94V2
 2. TOLERANCE: $\pm .005$ UNLESS OTHERWISE SPECIFIED

PART NUMBER	DESCRIPTION
HW-PC440NP	Nut - plastic
HW-PC440SP	Screw - plastic

DOUBLE ROW BOARD SPACER HEADERS – use for PC/104 end of stack connection



STANDARD PLASTIC = "DH2-"



ALTERNATIVE PLASTIC = "FH2-"

ALTERNATE PLASTIC: FOR THRU HOLE SOLDERING IN A SURFACE MOUNT ENVIRONMENT, THIS INSULATOR HAS THE STANDOFFS TO THE SIDE OF THE CONTACT FOR BETTER AIR FLOW TO SOLDER JOINT. SPECIFY BY REPLACING THE "D" IN THE BASE PART NO. WITH AN "F", I.E., FH2-235/200/100-10G2

Use the DH2-235/165/100-40G2 and DH2-235/165/100-64G2 for PC/104.

PART NUMBER	"A"		"B"		"C"		"D"		"E"		PLATING OPTIONS YY	NUMBER OF POSITIONS XX
	mm	Inch	mm	Inch	mm	Inch	mm	Inch	mm	Inch		
DH2-232/203/100-XXYY	13.59	.535	5.89	.232	2.54	.100	5.16	.203	5.84	.230	G1; G2; G230; T	4-80
DH2-235/165/100-XXYY	12.70	.500	5.97	.235	2.54	.100	4.19	.165	5.84	.230	G2	4-80
DH2-235/300/100-XXYY	16.13	.635	5.97	.235	2.54	.100	7.62	.300	5.84	.230	G1; G2; G230; T	4-80
DH2-235/400/100-XXYY	18.67	.735	5.97	.235	2.54	.100	10.16	.400	5.84	.230	G1; G2; G230; T	4-80
DH2-235/500/100-XXYY	21.20	.835	5.97	.235	2.54	.100	12.70	.500	5.84	.230	G1; G2; G230; T	4-80
DH2-235/600/100-XXYY	23.75	.935	5.97	.235	2.54	.100	15.24	.600	5.84	.230	G1; G2; G230; T	4-80
DH2-235/700/100-XXYY	26.29	1.035	5.97	.235	2.54	.100	17.78	.700	5.84	.230	G1; G2; G230; T	4-80
DH2-235/800/100-XXYY	28.83	1.135	5.97	.235	2.54	.100	20.32	.800	5.84	.230	G1; G2; G230; T	4-80
DH2-235/900/100-XXYY	31.37	1.235	5.97	.235	2.54	.100	22.86	.900	5.84	.230	G1; G2; G230; T	4-80
DH2-235/1000/100-XXYY	33.90	1.335	5.97	.235	2.54	.100	25.40	1.000	5.84	.230	G1; G2; G230; T	4-80
DH2-235/1100/100-XXYY	36.45	1.435	5.97	.235	2.54	.100	27.94	1.100	5.84	.230	G1; G2; G230; T	4-80
DH2-235/370/230-XXYY	21.20	.835	5.97	.235	5.84	.230	9.40	.370	5.84	.230	G1; G2; G230; T	4-80
DH2-235/470/230-XXYY	23.75	.935	5.97	.235	5.84	.230	11.94	.470	5.84	.230	G1; G2; G230; T	4-80
DH2-235/570/230-XXYY	26.29	1.035	5.97	.235	5.84	.230	14.48	.570	5.84	.230	G1; G2; G230; T	4-80
DH2-235/770/230-XXYY	31.37	1.235	5.97	.235	5.84	.230	18.56	.770	5.84	.230	G1; G2; G230; T	4-80
DH2-235/970/230-XXYY	36.45	1.435	5.97	.235	5.84	.230	24.64	.970	5.84	.230	G1; G2; G230; T	4-80
DH2-235/1300/100-XXYY	41.53	1.635	5.97	.235	2.54	.100	33.02	1.300	5.84	.230	G1; G2; G230; T	4-80

CREATING A SPECIAL DOUBLE ROW SPACER HEADER:

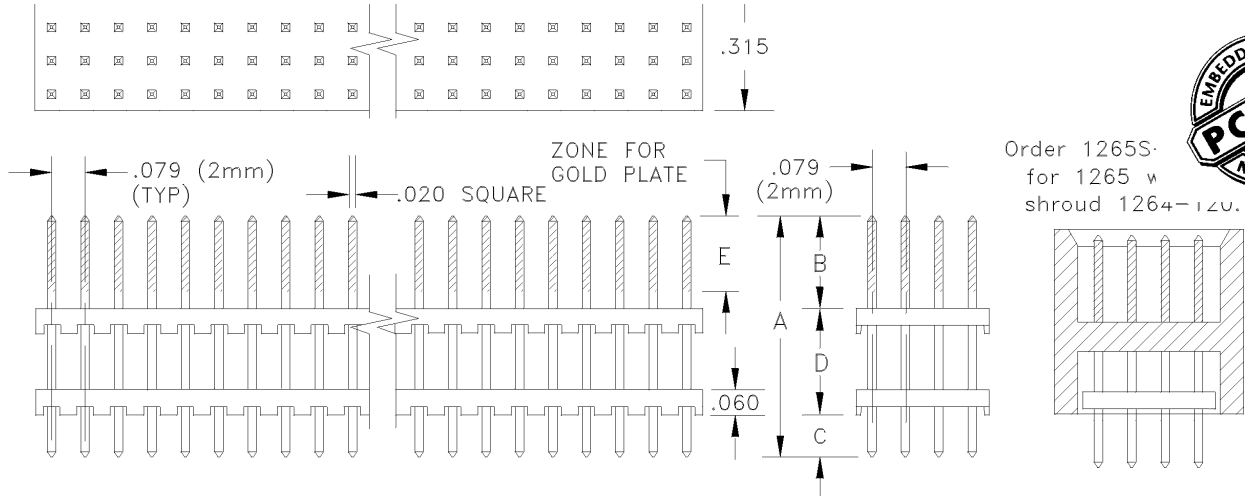
Minimum quantities are required, but any number of specials are available with pin lengths from .535 to 1.635. Part numbers are created using the following:

DH2-(B DIM) / (D DIM) / (C DIM) - XX YY

OF POSITIONS

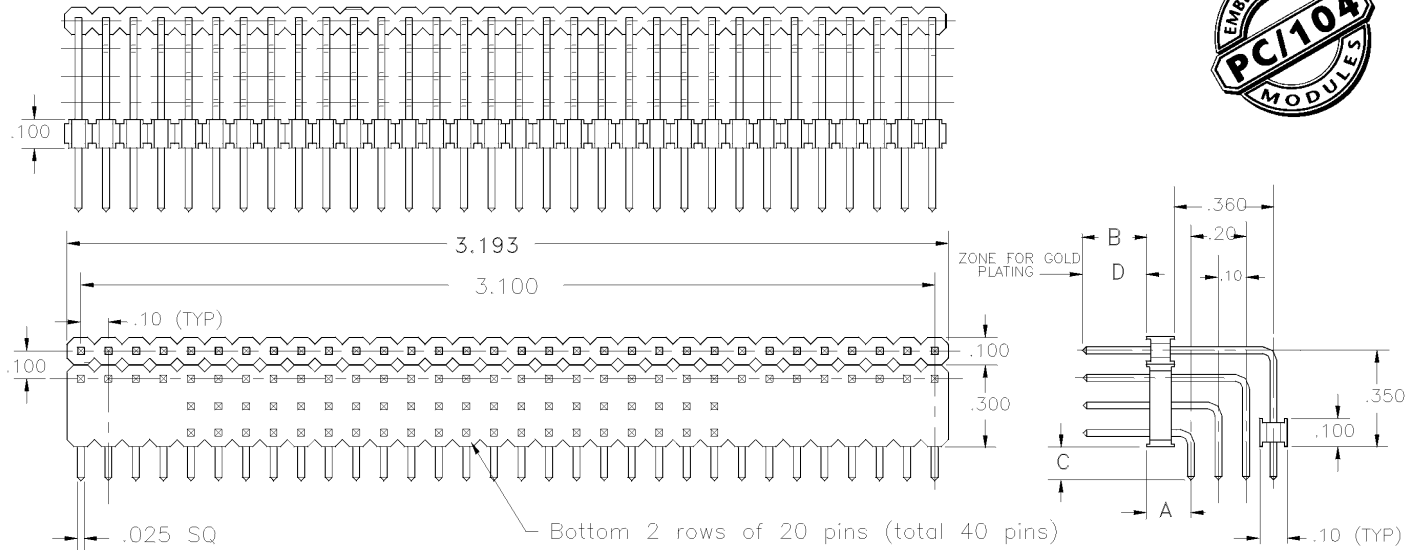
PLATING

4 ROW HEADER - PC/104-PLUS END OF STACK CONNECTOR



PART NUMBER	"A"		"B"		"C"		"D"		"E"		PLATING OPTIONS	NUMBER OF POSITIONS
	mm	Inch	mm	Inch	mm	Inch	mm	Inch	mm	Inch		
1265-XXYY	12.6	.496	3.81	.150	2.90	.114	3.81	.150	3.81	.150	G2	4-120

FOUR ROW RIGHT ANGLE 104 PIN HEADER - USE FOR PC/104



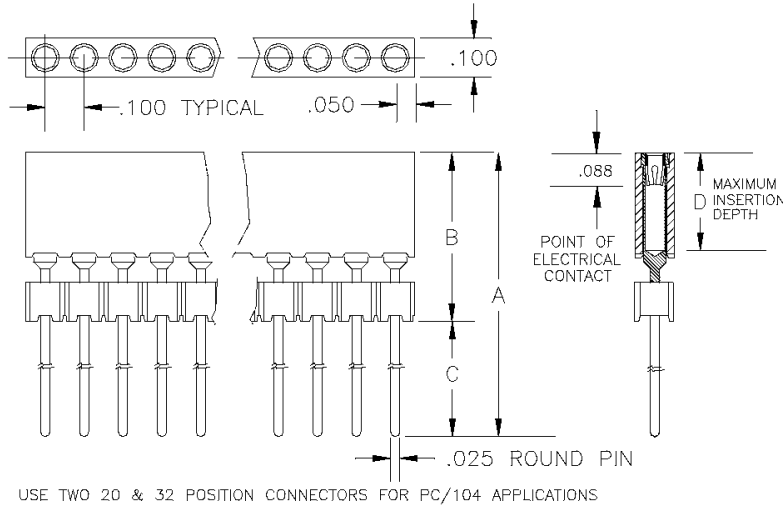
PART NUMBER	"A"		"B"		"C"		"D"		PLATING OPTIONS YY	NUMBER OF POSITIONS XX
	mm	Inch	mm	Inch	mm	Inch	mm	Inch		
4940R-XXYY	4.06	.160	5.84	.230	3.05	.120	5.84	.230	G2	104
4940RR-XXYY	Use part number 4940RR-104G2 for the reverse direction of the right angle bend.									

EXTENDER SOCKETS (SCREW MACHINE PINS) - HI TEMP

(.100 CENTERS)

SINGLE ROW - STACKTHROUGH & NON-STACKTHROUGH

HI REL APPLICATIONS

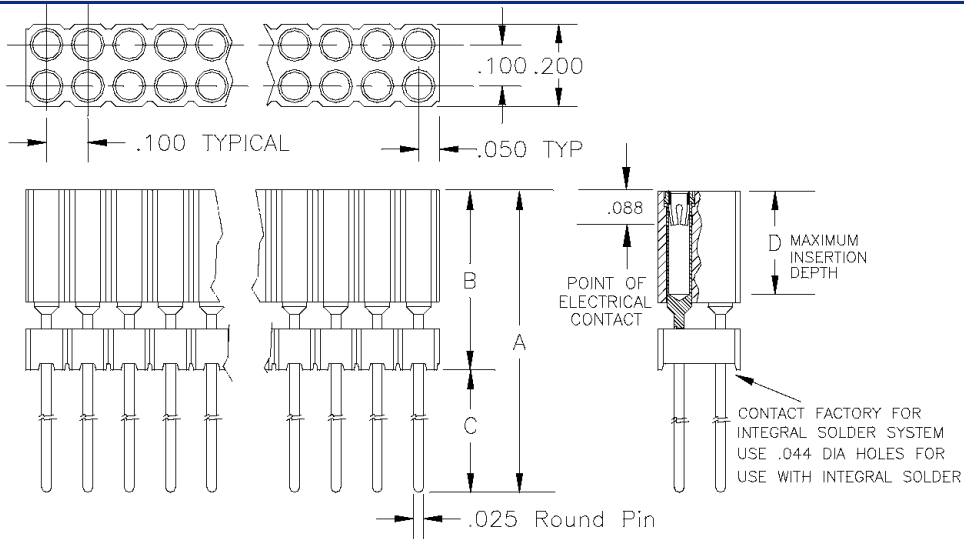


PART NUMBER	"A"		"B"		"C"		MAX INSERT DEPTH "D"		PLATING OPTIONS YY	NUMBER OF POSITIONS XX
	mm	Inch	mm	Inch	mm	Inch	mm	Inch		
1190P-XXYY	23.37	.920	10.92	.430	12.45	.490	6.53	.257	G1	2 - 32
1193P-XXYY	13.84	.540	10.92	.430	2.80	.110	6.53	.257	G2	2 - 32

1190P used for Stackthrough. 1193P for Non-Stackthrough Use two 20 and 32 positions for PC/104.
The PC/104 specifications notes use of square pins. However, round pins will provide a reliable connection to the square pin connectors.

DOUBLE ROW - STACKTHROUGH & NON-STACKTHROUGH

HI REL APPLICATIONS



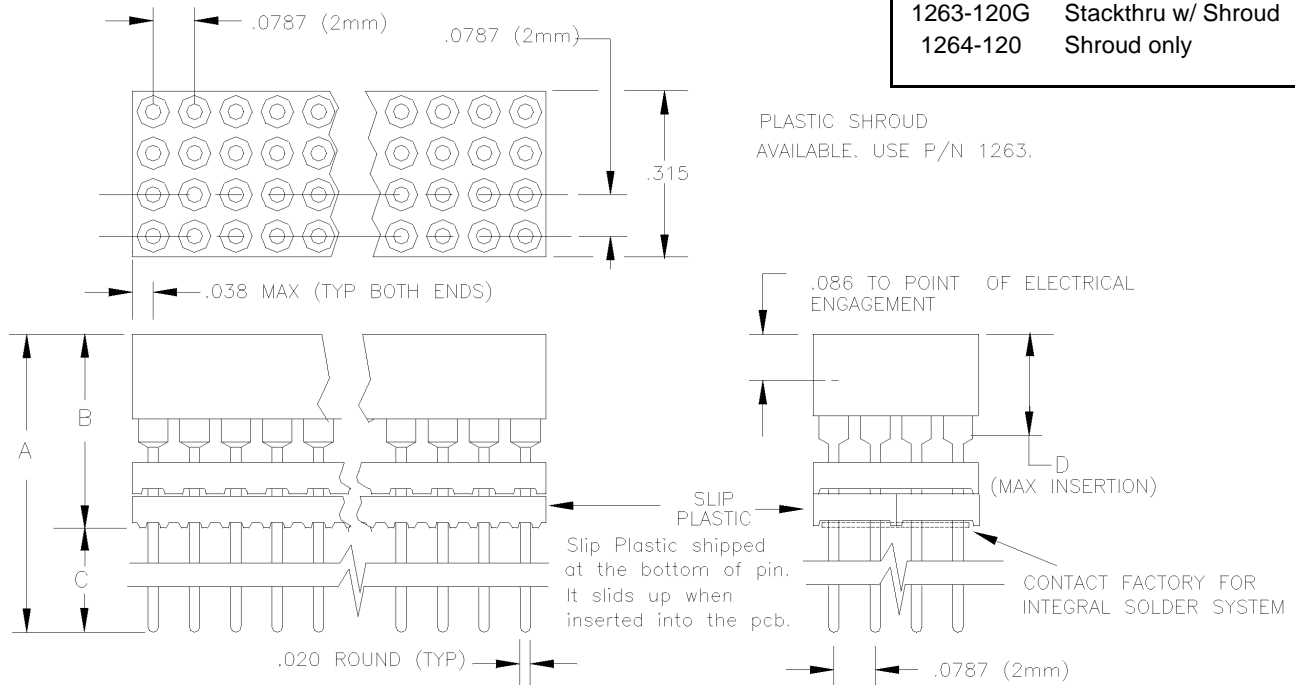
PART NUMBER	"A"		"B"		"C"		MAX INSERT DEPTH "D"		PLATING OPTIONS YY	NUMBER OF POSITIONS XX
	mm	Inch	mm	Inch	mm	Inch	mm	Inch		
1175P-XXYY	23.37	.920	10.92	.430	12.45	.490	6.53	.257	G1	4 - 64
1179P-XXYY	13.84	.540	10.92	.430	2.80	.110	6.53	.257	G2	4 - 64

1175P used for Stackthrough. 1179P for Non-Stackthrough Use 40 and 64 positions for PC/104.
The PC/104 specifications notes use of square pins. However, round pins will provide a reliable connection to the square pin connectors.

FOUR ROW SPACER SOCKET - using Screw Machine Contacts & Round Pins

These connectors use round pins. The PC/104 standard specifies square pin. These connectors are offered for those who have Hi-Rel applications.

PART NUMBER	PC/104-Plus
1261-120G2	Non-Stackthrough
1262-120G	Stackthrough
1263-120G	Stackthru w/ Shroud
1264-120	Shroud only



PC/104 PLUS SPECIFIES A SQUARE PIN.
THIS ROUND PIN IS COMPATIBLE WITH ALL SQUARE PIN SOCKETS.

PART NUMBER	"A"		"B"		"C"		MAX INSERT DEPTH "D"		PLATING OPTIONS YY	NUMBER OF POSITIONS XX
	mm	Inch	mm	Inch	mm	Inch	mm	Inch		
1261-XXYY	11.68	.460	9.35	.368	2.34	.092	5.08	.200	G2	16 - 120
1262-XXYY	21.34	.840	9.35	.368	11.99	.472	5.08	.200	G1	16 - 120
1263-XXYY	21.34	.840	9.35	.368	11.99	.472	5.08	.200	G1	120

The PC/104-Plus specification uses .020" square pins. The round pin connectors listed above will mate properly with square pin or round pin connectors. For square pin PC/104-Plus connectors see our 1241, 1242 series.