

Multilayer Ceramic Chip Capacitors



Introduction

Multilayer Surface Mount Ceramic Capacitors are constructed by screen printing alternative layers of internal metallic electrodes onto ceramic dielectric materials and firing into a concrete monolithic body, then completed by application of metal end terminations which are fired to assure permanent bonding with the individual internal electrodes.

Multilayer ceramic capacitors have various features such as large capacitance values in small sizes and excellent high frequency characteristics.

Moreover, chip capacitors can be used on surface mount assembly equipment. Our fully integrated manufacturing and total quality control systems ensure unprecedented high standards of quality and reliability.

Chip Capacitor Selection

Selection of the most suitable capacitor for any application is based on the following:

Dielectric Type

The choice of dielectric is largely determined by the temperature stability required.

COG (NPO)

Capacitance change with temperature is 0-30ppm/°C which is less than -0.3%/°C from -55°C to +125°C. Typical capacitance change with life is less than -0.1% for NPOs, one-fifth that shown by most other dielectrics. NPO formulations show no aging characteristics.

X7R/X5R

Its temperature variation of capacitance is within $\pm 15\%$ from -55°C to +125°C (-55°C to +85°C for X5R). The capacitance change is non-linear.

Z5U

Despite their capacitance instability, Z5U formulations are very popular because of their small size, temperature range low ESL, low ESR and excellent frequency response. These features are particularly important for decoupling application where only a minimum capacitance value is required.

Y5V

Y5V formulations are for general purpose use in a limited temperature range. They have a wide temperature characteristic of +22% - 82% capacitance change over the operating temperature range of -30°C to +85°C. Y5Vs high dielectric constant allows the manufacture of very high capacitance values (up to 22MF) in small physical sizes.

Capacitance Value & Tolerance

Determined by circuit requirements. Note that chip prices decrease with lower capacitance value and looser tolerance.

Voltage

Determined by circuit requirements. Units are designed to exceed the withstanding voltage specification, i.e., the user need not incorporate an additional safety margin.

Capacitor Size

Select the smallest unit permitted by the circuit constraints that provides the required capacitance and voltage rating. All Cal-Chip capacitors conform to EIA specifications.

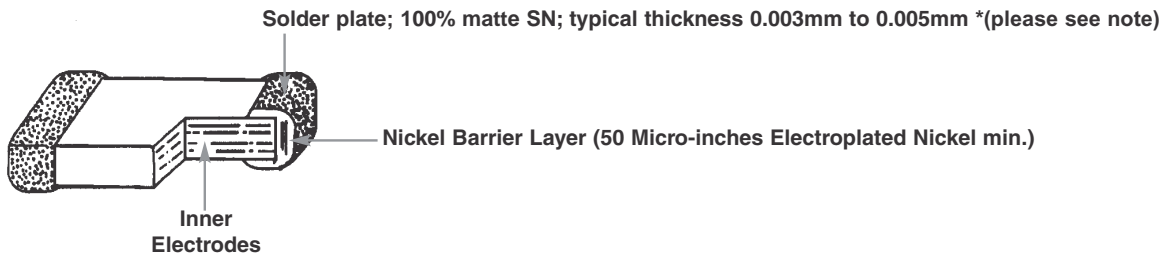
Capacitor Termination

Nickel barrier is standard and recommended for units exposed to repeated solder cycles, to minimize leaching of the termination.

Multilayer Ceramic Chip Capacitors



Construction



Example

GMC21	CG	102	J	50	N	T																											
Size Code	Dielectric	Capacitance (pF)	Capacitance Tolerance (EIA Code)	Voltage	Termination	Packaging Code																											
	<table border="1" style="width: 100%; border-collapse: collapse;"> <tr><td>CG (COG) (NPO)</td></tr> <tr><td>X7R or X5R</td></tr> <tr><td>Z5U</td></tr> <tr><td>Y5V</td></tr> </table>	CG (COG) (NPO)	X7R or X5R	Z5U	Y5V																												
CG (COG) (NPO)																																	
X7R or X5R																																	
Z5U																																	
Y5V																																	
<p>Capacitance values are represented in 3 digits, and expressed in pF. The first two digits are significant, and the third is the number of zeros. The letter "R" is used as a decimal point.</p> <table border="1" style="width: 100%; border-collapse: collapse;"> <tr><td>0R5</td><td>0.5pF</td></tr> <tr><td>5R0</td><td>5pF</td></tr> <tr><td>100</td><td>10pF</td></tr> <tr><td>101</td><td>100pF</td></tr> <tr><td>102</td><td>1000pF</td></tr> <tr><td>103</td><td>.01uF</td></tr> <tr><td>104</td><td>.1uF</td></tr> <tr><td>105</td><td>1.0uF</td></tr> <tr><td>106</td><td>10uF</td></tr> </table>							0R5	0.5pF	5R0	5pF	100	10pF	101	100pF	102	1000pF	103	.01uF	104	.1uF	105	1.0uF	106	10uF									
0R5	0.5pF																																
5R0	5pF																																
100	10pF																																
101	100pF																																
102	1000pF																																
103	.01uF																																
104	.1uF																																
105	1.0uF																																
106	10uF																																
<table border="1" style="width: 100%; border-collapse: collapse;"> <tr><td>B</td><td>±0.1pf</td><td>for ≤ 10pF</td></tr> <tr><td>C</td><td>±0.25pF</td><td>for ≤ 10pF</td></tr> <tr><td>D</td><td>±0.5pF</td><td>for ≤ 10pF</td></tr> <tr><td>F</td><td>±1%</td><td></td></tr> <tr><td>G</td><td>±2%</td><td></td></tr> <tr><td>J</td><td>±5%</td><td></td></tr> <tr><td>K</td><td>±10%</td><td></td></tr> <tr><td>M</td><td>±20%</td><td></td></tr> <tr><td>Z</td><td>-20%~+80%</td><td></td></tr> </table>							B	±0.1pf	for ≤ 10pF	C	±0.25pF	for ≤ 10pF	D	±0.5pF	for ≤ 10pF	F	±1%		G	±2%		J	±5%		K	±10%		M	±20%		Z	-20%~+80%	
B	±0.1pf	for ≤ 10pF																															
C	±0.25pF	for ≤ 10pF																															
D	±0.5pF	for ≤ 10pF																															
F	±1%																																
G	±2%																																
J	±5%																																
K	±10%																																
M	±20%																																
Z	-20%~+80%																																
<table border="1" style="width: 100%; border-collapse: collapse;"> <tr><td>6r3</td><td>6.3 DC</td></tr> <tr><td>10</td><td>10 DC</td></tr> <tr><td>16</td><td>16 DC</td></tr> <tr><td>25</td><td>25 DC</td></tr> <tr><td>50</td><td>50 DC</td></tr> <tr><td>100</td><td>100 DC</td></tr> <tr><td>200</td><td>200 DC</td></tr> </table>							6r3	6.3 DC	10	10 DC	16	16 DC	25	25 DC	50	50 DC	100	100 DC	200	200 DC													
6r3	6.3 DC																																
10	10 DC																																
16	16 DC																																
25	25 DC																																
50	50 DC																																
100	100 DC																																
200	200 DC																																
<table border="1" style="width: 100%; border-collapse: collapse;"> <tr><td>N</td><td>Nickel Barrier</td></tr> </table> <p>NX* - Optional "SoftTerm"</p> <p>Available in select values, contact your sales associate for more information</p> <table border="1" style="width: 100%; border-collapse: collapse;"> <tr><td>T*</td><td>Tape and Reel</td></tr> </table> <p>*Optional "TD" designates large 10 inch or 13 inch reels - see packaging on pg.13 & 14</p>							N	Nickel Barrier	T*	Tape and Reel																							
N	Nickel Barrier																																
T*	Tape and Reel																																
<table border="1" style="width: 100%; border-collapse: collapse;"> <tr> <td>GMC02 = 0201</td> <td>GMC21 = 0805</td> <td>GMC40 = 1808</td> <td>GMC55 = 2220</td> </tr> <tr> <td>GMC04 = 0402</td> <td>GMC31 = 1206</td> <td>GMC43 = 1812</td> <td>GMC57 = 2225</td> </tr> <tr> <td>GMC10 = 0603</td> <td>GMC32 = 1210</td> <td>GMC45 = 1825</td> <td></td> </tr> </table>							GMC02 = 0201	GMC21 = 0805	GMC40 = 1808	GMC55 = 2220	GMC04 = 0402	GMC31 = 1206	GMC43 = 1812	GMC57 = 2225	GMC10 = 0603	GMC32 = 1210	GMC45 = 1825																
GMC02 = 0201	GMC21 = 0805	GMC40 = 1808	GMC55 = 2220																														
GMC04 = 0402	GMC31 = 1206	GMC43 = 1812	GMC57 = 2225																														
GMC10 = 0603	GMC32 = 1210	GMC45 = 1825																															

Note: Calchip has completed the Lead-Free transition. All parts shipped with or without the "custom designator" LF at the end of the part number will be Lead-Free. Lead-Free material will still continue to have an LF at the end of the Lot Code and a green RoHS symbol on the label. Please contact your sales associate if you require non-RoHS material.



Multilayer Ceramic Chip Capacitors

0201

DIMENSION (MM)

GMC02

L	0.6 ± 0.03						
W	0.3 ± 0.03						
H	0.3 ± 0.03						
BW	0.15 ± 0.05						
dielectric	NPO/COG	X5R		X7R			Y5V/Z5U
Rated Voltage	25	6.3	10	6.3	10	16	6.3
Cap. Range							
0.5pF	0R5						
1.0	1R0						
1.2	1R2						
1.5	1R5						
1.8	1R8						
2.2	2R2						
2.7	2R7						
3.3	3R3						
3.9	3R9						
4.7	4R7						
5.6	5R6						
6.8	6R8						
8.2	8R2						
10	100						
12	120						
15	150						
18	180						
22	220						
27	270						
33	330						
39	390						
47	470						
56	560						
68	680						
82	820						
100	101						
120	121						
150	151						
180	181						
220	221						
270	271						
330	331						
390	391						
470	471						
560	561						
680	681						
820	821						
1.0nF	102						
1.2	122						
1.5	152						
1.8	182						
2.2	222						
2.7	272						
3.3	332						
3.9	392						
4.7	472						
5.6	562						
6.8	682						
8.2	822						
10	103						
12	123						
15	153						
18	183						
22	223						
27	273						
33	333						
39	393						
47	473						
56	563						
68	683						
82	823						
100	104						
120	124						
150	154						
180	184						
220	224						
270	274						
330	334						
390	394						
470	474						
560	564						
680	684						
820	824						
1.0uF	105						
2.2	225						



Multilayer Ceramic Chip Capacitors COG/NPO

		GMC21		GMC31		GMC32		GMC40		GMC43		GMC45		GMC55		GMC57	
Type		0805		1206		1210		1808		1812		1825		2220		2225	
Length	mm	2.0±0.3		3.2±0.3		3.2±0.3		4.57±0.25		4.5±0.35		4.5±0.35		5.7±0.4		5.7±0.4	
	Inches	0.08±0.012		0.125±0.012		0.125±0.012		0.18±0.01		0.18±0.014		0.18±0.014		0.225±0.016		0.225±0.016	
Width	mm	1.25±0.2		1.6±0.2		2.5±0.3		2.03±0.25		3.2±0.3		6.3±0.4		5.0±0.4		6.3±0.4	
	Inches	0.05±0.008		0.063±0.008		0.10±0.012		0.08±0.01		0.125±0.012		0.25±0.016		0.197±0.016		0.25±0.016	
Thick(Max)	mm	1.3		1.6		1.8		2.03		1.8		1.8		1.8		1.8	
	Inches	0.051		0.063		0.07		0.08		0.07		0.07		0.07		0.07	
Termination Band	mm	Min	Max	Min	Max	Min	Max	Min	Max	Min	Max	Min	Max	Min	Max	Min	Max
	Inches	0.25	0.75	0.25	0.75	0.25	0.75	0.25	0.75	0.25	0.75	0.25	0.75	0.25	0.75	0.25	0.75
		0.01	0.03	0.01	0.03	0.01	0.03	0.01	0.03	0.01	0.03	0.01	0.03	0.01	0.03	0.01	0.03
Band Gap	mm	0.5		1.4		1.4		2.0		2.2		2.2		2.9		2.9	
	Inches	0.019		0.055		0.055		0.078		0.087		0.087		0.114		0.114	
Rated Voltage d.c.		16	25	50	25	50	16	25	50/63	50/63	50/63	50/63	50/63	50/63	50/63	50/63	50/63
Cap. Range	Code																
0.5pF	0R5																
1.0	1R0																
1.2	1R2																
1.5	1R5																
1.8	1R8																
2.2	2R2																
2.7	2R7																
3.3	3R3																
3.9	3R9																
4.7	4R7																
5.6	5R6																
6.8	6R8																
8.0	8R0																
10	100																
12	120																
15	150																
18	180																
22	220																
27	270																
33	330																
39	390																
47	470																
56	560																
68	680																
82	820																
100	101																
120	121																
150	151																
180	181																
220	221																
270	271																
330	331																
390	391																
470	471																
560	561																
680	681																
820	821																
1.0nF	102																
1.2	122																
1.5	152																
1.8	182																
2.2	222																
2.7	272																
3.3	332																
3.9	392																
4.7	472																
5.6	562																
6.8	682																
8.2	822																
10	103																
12	123																
15	153																
18	183																
22	223																
27	273																
33	333																
39	393																
47	473																
56	563																
68	683																
82	823																
100	104																
120	124																
150	154																
180	184																
220	224																
270	274																
330	334																
390	394																
470	474																
560	564																
680	684																
820	824																
1.0uF	105																
2.2	225																
3.3	335																
4.7	475																
6.8	685																
10	106																
22	226																
33	336																
47	476																
100	107																



Multilayer Ceramic Chip Capacitors

COG/NPO (cont.)

		GMC21		GMC31		GMC32		GMC40		GMC43		GMC45		GMC55		GMC57	
Type		0805		1206		1210		1808		1812		1825		2220		2225	
Length	mm	2.0±0.3		3.2±0.3		3.2±0.3		4.57±0.25		4.5±0.35		4.5±0.35		5.7±0.4		5.7±0.4	
	Inches	0.08±0.012		0.125±0.012		0.125±0.012		0.18±0.01		0.18±0.014		0.18±0.014		0.225±0.016		0.225±0.016	
Width	mm	1.25±0.2		1.6±0.2		2.5±0.3		2.03±0.25		3.2±0.3		6.3±0.4		5.0±0.4		6.3±0.4	
	Inches	0.05±0.008		0.063±0.008		0.10±0.012		0.08±0.01		0.125±0.012		0.25±0.016		0.197±0.016		0.25±0.016	
Thick(Max)	mm	1.3		1.6		1.8		2.03		1.8		1.8		1.8		1.8	
	Inches	0.051		0.063		0.07		0.08		0.07		0.07		0.07		0.07	
Termination Band	mm	Min	Max	Min	Max	Min	Max	Min	Max	Min	Max	Min	Max	Min	Max	Min	Max
	Inches	0.25	0.75	0.25	0.75	0.25	0.75	0.25	0.75	0.25	0.75	0.25	0.75	0.25	0.75	0.25	0.75
Band Gap	mm	0.5		1.4		1.4		2.0		2.2		2.2		2.9		2.9	
	Inches	0.019		0.055		0.055		0.078		0.087		0.087		0.114		0.114	
Rated Voltage d.c.		100	200	100	200	100	200	100	200	100	200	100	200	100	200	100	200
Cap. Range	Code																
0.5pF	0R5																
1.0	1R0																
1.2	1R2																
1.5	1R5																
1.8	1R8																
2.2	2R2																
2.7	2R7																
3.3	3R3																
3.9	3R9																
4.7	4R7																
5.6	5R6																
6.8	6R8																
8.2	8R2																
10	100																
12	120																
15	150																
18	180																
22	220																
27	270																
33	330																
39	390																
47	470																
56	560																
68	680																
82	820																
100	101																
120	121																
150	151																
180	181																
220	221																
270	271																
330	331																
390	391																
470	471																
560	561																
680	681																
820	821																
1.0nF	102																
1.2	122																
1.5	152																
1.8	182																
2.2	222																
2.7	272																
3.3	332																
3.9	392																
4.7	472																
5.6	562																
6.8	682																
8.2	822																
10	103																
12	123																
15	153																
18	183																
22	223																
27	273																
33	333																
39	393																
47	473																
56	563																
68	683																
82	823																
100	104																
120	124																
150	154																
180	184																
220	224																
270	274																
330	334																
390	394																
470	474																
560	564																
680	684																
820	824																
1.0uF	105																
2.2	225																
3.3	335																
4.7	475																
6.8	685																
10	106																
22	226																
33	336																
47	476																
68	686																
100	107																



Multilayer Ceramic Chip Capacitors X7R

	GMC21			GMC31			GMC32			GMC40			GMC43			GMC45			GMC55			GMC57		
Type	0805			1206			1210			1808			1812			1825			2220			2225		
Length	mm			mm			mm			mm			mm			mm			mm			mm		
	Inches			Inches			Inches			Inches			Inches			Inches			Inches			Inches		
Width	mm			mm			mm			mm			mm			mm			mm			mm		
	Inches			Inches			Inches			Inches			Inches			Inches			Inches			Inches		
Thick(Max)	mm			mm			mm			mm			mm			mm			mm			mm		
	Inches			Inches			Inches			Inches			Inches			Inches			Inches			Inches		
Termination Band	Min	Max		Min	Max		Min	Max		Min	Max		Min	Max		Min	Max		Min	Max		Min	Max	
	mm			mm			mm			mm			mm			mm			mm			mm		
	Inches			Inches			Inches			Inches			Inches			Inches			Inches			Inches		
Band Gap	mm			mm			mm			mm			mm			mm			mm			mm		
	Inches			Inches			Inches			Inches			Inches			Inches			Inches			Inches		
Rated Voltage d.c.	6.3	10	16	25	6.3	10	16	25	10	16	25	10	16	25	10	16	25	10	16	25	10	16	25	
Cap. Range	Code																							
0.5pF	0R5																							
1.0	1R0																							
1.2	1R2																							
1.5	1R5																							
1.8	1R8																							
2.2	2R2																							
2.7	2R7																							
3.3	3R3																							
3.9	3R9																							
4.7	4R7																							
5.6	5R6																							
6.8	6R8																							
8.2	8R2																							
10	100																							
12	120																							
15	150																							
18	180																							
22	220																							
27	270																							
33	330																							
39	390																							
47	470																							
56	560																							
68	680																							
82	820																							
100	101																							
120	121																							
150	151																							
180	181																							
220	221																							
270	271																							
330	331																							
390	391																							
470	471																							
560	561																							
680	681																							
820	821																							
1.0nF	102																							
1.2	122																							
1.5	152																							
1.8	182																							
2.2	222																							
2.7	272																							
3.3	332																							
3.9	392																							
4.7	472																							
5.6	562																							
6.8	682																							
8.2	822																							
10	103																							
12	123																							
15	153																							
18	183																							
22	223																							
27	273																							
33	333																							
39	393																							
47	473																							
56	563																							
68	683																							
82	823																							
100	104																							
120	124																							
150	154																							
180	184																							
220	224																							
270	274																							
330	334																							
390	394																							
470	474																							
560	564																							
680	684																							
820	824																							
1.0uF	105																							
2.2	225																							
3.3	335																							
4.7	475																							
6.8	685																							
10	106																							
22	226																							
33	336																							
47	476																							
68	686																							
100	107																							



Multilayer Ceramic Chip Capacitors

X7R (cont)

	GMC21			GMC31			GMC32			GMC40			GMC43			GMC45			GMC55			GMC57				
Type	0805			1206			1210			1808			1812			1825			2220			2225				
Length	mm			3.2±0.3			3.2±0.3			4.57±0.25			4.5±0.35			4.5±0.35			5.7±0.4			5.7±0.4				
	Inches			0.125±0.012			0.125±0.012			0.18±0.01			0.18±0.014			0.18±0.014			0.225±0.016			0.225±0.016				
Width	mm			1.6±0.2			2.5±0.3			2.03±0.25			3.2±0.3			6.3±0.4			5.0±0.4			6.3±0.4				
	Inches			0.063±0.008			0.10±0.012			0.08±0.01			0.125±0.012			0.25±0.016			0.197±0.016			0.25±0.016				
Thick(Max)	mm			1.8			2.8			3.0			3.0			3.2			3.5			3.5				
	Inches			0.063			0.07			0.08			0.07			0.07			0.07			0.07				
Termination Band	Min		Max		Min		Max		Min		Max		Min		Max		Min		Max		Min		Max			
	mm		0.25		0.75		0.25		0.75		0.25		0.75		0.25		0.75		0.25		0.75		0.25		0.75	
	Inches		0.01		0.03		0.01		0.03		0.01		0.03		0.01		0.03		0.01		0.03		0.01		0.03	
Band Gap	mm			1.4			1.4			2.0			2.2			2.2			2.9			2.9				
	Inches			0.055			0.055			0.078			0.087			0.087			0.114			0.114				
Rated Voltage d.c.	50	100	200	50	100	200	50	100	200	50	100	200	50	100	200	50	100	200	50	100	200	50	100	200		
Cap. Range	Code																									
0.5pF	0R5																									
1.0	1R0																									
1.2	1R2																									
1.5	1R5																									
1.8	1R8																									
2.2	2R2																									
2.7	2R7																									
3.3	3R3																									
3.9	3R9																									
4.7	4R7																									
5.6	5R6																									
6.8	6R8																									
8.2	8R2																									
10	100																									
12	120																									
15	150																									
18	180																									
22	220																									
27	270																									
33	330																									
39	390																									
47	470																									
56	560																									
68	680																									
82	820																									
100	101																									
120	121																									
150	151																									
180	181																									
220	221																									
270	271																									
330	331																									
390	391																									
470	471																									
560	561																									
680	681																									
820	821																									
1.0nF	102																									
1.2	122																									
1.5	152																									
1.8	182																									
2.2	222																									
2.7	272																									
3.3	332																									
3.9	392																									
4.7	472																									
5.6	562																									
6.8	682																									
8.2	822																									
10	103																									
12	123																									
15	153																									
18	183																									
22	223																									
27	273																									
33	333																									
39	393																									
47	473																									
56	563																									
68	683																									
82	823																									
100	104																									
120	124																									
150	154																									
180	184																									
220	224																									
270	274																									
330	334																									
390	394																									
470	474																									
560	564																									
680	684																									
820	824																									
1.0uF	105																									
2.2	225																									
3.3	335																									
4.7	475																									
6.8	685																									
10	106																									
22	226																									



Multilayer Ceramic Chip Capacitors X5R

	GMC21			GMC31			GMC32			GMC40			GMC43			GMC45			GMC55			GMC57		
Type	0805			1206			1210			1808			1812			1825			2220			2225		
Length	2.0±0.3			3.2±0.3			3.2±0.3			4.57±0.25			4.5±0.35			4.5±0.35			5.7±0.4			5.7±0.4		
	0.08±0.012			0.125±0.012			0.125±0.012			0.18±0.01			0.18±0.014			0.18±0.014			0.225±0.016			0.225±0.016		
Width	1.25±0.2			1.6±0.2			2.5±0.3			2.03±0.25			3.2±0.3			6.3±0.4			5.0±0.4			6.3±0.4		
	0.05±0.008			0.063±0.008			0.10±0.012			0.08±0.01			0.125±0.012			0.25±0.016			0.197±0.016			0.25±0.016		
Thick(Max)	1.5			1.8			2.8			3.0			3.0			3.2			3.5			3.5		
	0.059			0.070			0.110			0.118			0.118			0.126			0.138			0.138		
Termination Band	Min	Max		Min	Max		Min	Max		Min	Max		Min	Max		Min	Max		Min	Max		Min	Max	
	0.25	0.75		0.25	0.75		0.25	0.75		0.25	0.75		0.25	0.75		0.25	0.75		0.25	0.75		0.25	0.75	
	0.01	0.03		0.01	0.03		0.01	0.03		0.01	0.03		0.01	0.03		0.01	0.03		0.01	0.03		0.01	0.03	
Band Gap	0.5			1.4			1.4			2.0			2.2			2.2			2.9			2.9		
	0.019			0.055			0.055			0.078			0.087			0.087			0.114			0.114		
Rated Voltage d.c.	6.3	10	16	6.3	10	16	25	6.3	10	16	25	N/A	6.3	10	16	6.3	10	16	6.3	10	16	25	25	
Cap. Range	Code																							
0.5pF	0R5																							
1.0	1R0																							
1.2	1R2																							
1.5	1R5																							
1.8	1R8																							
2.2	2R2																							
2.7	2R7																							
3.3	3R3																							
3.9	3R9																							
4.7	4R7																							
5.6	5R6																							
6.8	6R8																							
8.2	8R2																							
10	100																							
12	120																							
15	150																							
18	180																							
22	220																							
27	270																							
33	330																							
39	390																							
47	470																							
56	560																							
68	680																							
82	820																							
100	101																							
120	121																							
150	151																							
180	181																							
220	221																							
270	271																							
330	331																							
390	391																							
470	471																							
560	561																							
680	681																							
820	821																							
1.0nF	102																							
1.2	122																							
1.5	152																							
1.8	182																							
2.2	222																							
2.7	272																							
3.3	332																							
3.9	392																							
4.7	472																							
5.6	562																							
6.8	682																							
8.2	822																							
10	103																							
12	123																							
15	153																							
18	183																							
22	223																							
27	273																							
33	333																							
39	393																							
47	473																							
56	563																							
68	683																							
82	823																							
100	104																							
120	124																							
150	154																							
180	184																							
220	224																							
270	274																							
330	334																							
390	394																							
470	474																							
560	564																							
680	684																							
820	824																							
1.0uF	105																							
2.2	225																							
3.3	335																							
4.7	475																							
6.8	685																							
10	106																							
22	226																							
33	336																							
47	476																							
100	107																							



Multilayer Ceramic Chip Capacitors

Y5V/Z5U (cont)

		GMC21			GMC31			GMC32			GMC40			GMC43			GMC45			GMC55			GMC57		
Type		0805			1206			1210			1808			1812			1825			2220			2225		
Length	mm	2.0±0.3			3.2±0.3			3.2±0.3			4.57±0.25			4.5±0.35			4.5±0.35			5.7±0.4			5.7±0.4		
	Inches	0.08±0.012			0.125±0.012			0.125±0.012			0.18±0.01			0.18±0.014			0.18±0.014			0.225±0.016			0.225±0.016		
Width	mm	1.25±0.2			1.6±0.2			2.5±0.3			2.03±0.25			3.2±0.3			6.3±0.4			5.0±0.4			6.3±0.4		
	Inches	0.05±0.008			0.063±0.008			0.10±0.012			0.08±0.01			0.125±0.012			0.25±0.016			0.197±0.016			0.25±0.016		
Thick(Max)	mm	1.5			1.8			2.8			3.0			3.0			3.2			3.5			3.5		
	Inches	0.059			0.07			0.110			0.118			0.118			0.126			0.138			0.138		
Termination Band	mm	Min	Max		Min	Max		Min	Max		Min	Max		Min	Max		Min	Max		Min	Max		Min	Max	
		0.25	0.75		0.25	0.75		0.25	0.75		0.25	0.75		0.25	0.75		0.25	0.75		0.25	0.75		0.25	0.75	
	Inches	0.01		0.03		0.01		0.03		0.01		0.03		0.01		0.03		0.01		0.03		0.01		0.03	
Band Gap	mm	0.5			1.4			1.4			2.0			2.2			2.2			2.9			2.9		
	Inches	0.019			0.055			0.055			0.078			0.087			0.087			0.114			0.114		
Rated Voltage d.c.		50	100	200	50	100	200	50	100	200	50	100	200	50	100	200	50	100	200	50	100	200	50	100	200
Cap. Range	Code																								
0.5pF	0R5																								
1.0	1R0																								
1.2	1R2																								
1.5	1R5																								
1.8	1R8																								
2.2	2R2																								
2.7	2R7																								
3.3	3R3																								
3.9	3R9																								
4.7	4R7																								
5.6	5R6																								
6.8	6R8																								
8.2	8R2																								
10	100																								
12	120																								
15	150																								
18	180																								
22	220																								
27	270																								
33	330																								
39	390																								
47	470																								
56	560																								
68	680																								
82	820																								
100	101																								
120	121																								
150	151																								
180	181																								
220	221																								
270	271																								
330	331																								
390	391																								
470	471																								
560	561																								
680	681																								
820	821																								
1.0nF	102																								
1.2	122																								
1.5	152																								
1.8	182																								
2.2	222																								
2.7	272																								
3.3	332																								
3.9	392																								
4.7	472																								
5.6	562																								
6.8	682																								
8.2	822																								
10	103																								
12	123																								
15	153																								
18	183																								
22	223																								
27	273																								
33	333																								
39	393																								
47	473																								
56	563																								
68	683																								
82	823																								
100	104																								
120	124																								
150	154																								
180	184																								
220	224																								
270	274																								
330	334																								
390	394																								
470	474																								
560	564																								
680	684																								
820	824																								
1.0uF	105																								
2.2	225																								
3.3	335																								
4.7	475																								
6.8	685																								
10	106																								
22	226																								
33	336																								
47	476																								
68	686																								
100	107																								

Multilayer Ceramic Chip Capacitors



COG Dielectric

Ultra stable class I dielectric: linear temperature coefficient, low loss, negligible change of electrical properties with time, voltage and frequency.

Operating Temperature Range	Temperature Coefficient	Temperature Voltage Coefficient (ΔC_{Max} @ V_{DcW})	Dissipation Factor	Insulation Resistance	Dielectric withstanding Voltage	Aging Rate	Test Parameters
-55°C to +125°C	0±30ppm/°C	0±30ppm/°C	0.1% Max, 0.02% Typical	<ul style="list-style-type: none"> • 25°C, V_{DcW}:: >100GΩF or 1000ΩF, whichever is less • 125°C, V_{DcW}:: >10GΩF or 100ΩF whichever is less 	3 X V_{DcW}	0% per decade hour	<ul style="list-style-type: none"> • $C \leq 1000pF$ f=1MHz V=1.0Vrms ±0.2Vrms T=25°C • $C > 1000pF$ f=1KHz V=1.0Vrms ±0.2Vrms T=25°C

X7R Dielectric

Stable class II dielectric (EIA X7R)

Operating Temperature Range	Temperature Coefficient	Temperature Voltage Coefficient (ΔC_{Max} @ V_{DcW})	Dissipation Factor	Insulation Resistance	Dielectric withstanding Voltage	Aging Rate	Test Parameters
-55°C to +125°C	±15%	X7R Not Applicable	2.5% Max, 1.8% Typical	<ul style="list-style-type: none"> • 25°C, V_{DcW}:: >100GΩFor 1000ΩF, whichever is less • 125°C, V_{DcW}:: >10GΩF or 100ΩF whichever is less 	2.5 X V_{DcW}	<2% per decade hour	1KHz, 1.0Vrms ±0.2Vrms 25°C values > or = to 10uF 1.0Vrms 120Hz

Multilayer Ceramic Chip Capacitors - Z5U (Y5V) Dielectric

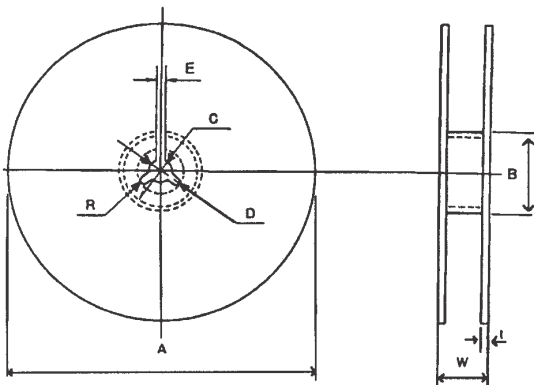


High capacitance per unit volume: general purpose product

Operating Temperature Range	Temperature Coefficient	Dissipation Factor	Insulation Resistance	Dielectric withstanding Voltage	Aging Rate	Test Parameters
-30°C to +85°C	+22% to -82%	3.0% Max, 2.0% Typical	10GΩ or 100ΩF whichever is less, 25°C, VDCW	2.5 X VDCW	3.0% per decade hour	1KHz, 1Vrms 25°C values > or = to 10uF 1.0Vrms 120Hz

Packaging (Taping)

(Reel Type-Size)



Standard Reel

Unit:mm

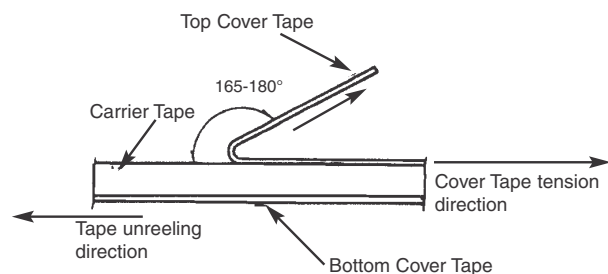
A	B	C	D	E	W	t	R
ø178 ±2.0	ø50 min.	ø13.0 ±0.5	ø21.0 ±0.8	2.0 ±0.5	14.9 ±1.5	0.8 ±0.2	1.0

"TD" designator for optional 10/13 inch reels

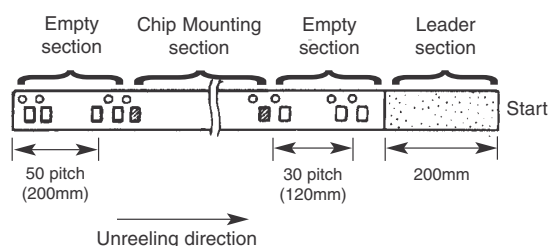
Unit:mm

A	B	C	D	E	W	t	R
ø250 ±2.0	ø50 min.	ø13.0 ±0.5	ø21.0 ±0.8	2.0 ±0.5	10.0 ±1.5	0.8 ±0.2	1.0

Carrier Tape (Standard)



- To peel off the cover tape by the method shown in the right figure apply a peel-off force of 20 gf - 60 gf (card board); 35 gf - 75 gf (plastic tape).
- The cover tape should not touch the top or bottom of the chip.
- If the cover tape has been peeled off it may be difficult to remove the chip due to punch-hole clearance, dirt, and debris. Make sure therefore that no paper waste will adhere to and block the absorption nozzle.
- If the cover tape has been peeled off from the top, stick it back on with a suitable adhesive.
- Follow the illustration for the start and end of the winding operation.



Multilayer Ceramic Chip Capacitors

- Cardboard carrier tape for 0402,0603 type and 0805/1206 type

Unit: mm

Type	A	B	W	F	E	P ₁	P ₂	P ₀	D ₀	t ₁	t ₂	Mounting Hole	Std Reel Qty. 7in (10/13in)*
0402	0.7±0.2	1.3±0.2	8.0±0.3	3.5±0.05	1.75±0.1	4.0±0.1	2.0±0.05	4.0±0.1	ø1.5+0.1	1.1 max	1.4 max	Angular Punch Hole	10,000 (20,000)
0603	1.1±0.2	1.9±0.2											4,000 (10,000)
0805	1.65±0.2	2.4±0.2											4,000 (10,000)
1206	2.0±0.2	3.6±0.2											4,000 (10,000)

*quantities listed are considered as "standard" and subject to change

- Embossed plastic carrier tape for 0805/1206 type and 1210 type

Unit: mm

Type	A	B	W	F	E	P ₁	P ₂	P ₀	D ₀	t ₁	t ₂	Mounting Hole	Std Reel Qty. 7in (10/13in)*
0805	1.45±0.2	2.3±0.2	8.0±0.3	3.5±0.05	1.75±0.1	4.0±0.1	2.0±0.05	4.0±0.1	ø1.5+0.1 -0	0.6 max	2.5 max	Angular Embossed Hole	3,000 (10,000)
1206	2.0±0.2	3.6±0.2											2,500 (10,000)
1210	2.9±0.2	3.6±0.2											2,000 (4,000)

*quantities listed are considered as "standard" and subject to change

- Embossed plastic carrier tape for 1812,1825,2220 and 2225 type

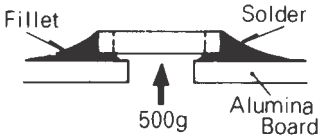
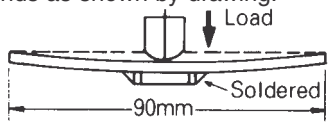
Unit: mm

Type	A	B	W	F	E	P ₁	P ₂	P ₀	D ₀	t ₁	t ₂	Mounting Hole	Std Reel Qty. 7in (10/13in)*
1812	3.6±0.2	4.9±0.2	12.0±0.3	5.5±0.05	1.75±0.1	8.0±0.1	2.0±0.05	4.0±0.1	ø1.5±0.1	0.6 max.	6.5 max.	Angular Embossed Hole	1,000 (2,000)
1825	6.8±0.3	4.9±0.2											1,000 (1,500)
2220	5.5±0.3	6.2±0.3											1,000 (1,500)
2225	6.8±0.3	6.2±0.3											500 (1,000)

*quantities listed are considered as "standard" and subject to change



RELIABILITY AND TEST CONDITIONS

Item	Specification	Test Method
Capacitance	Within tolerance shown by part number code	<ul style="list-style-type: none"> Class (I) C<1000pF:1MHz±10%, 0.5 to 5Vrms C≥1000pF:1KHz±10%, 1.0±0.2Vrms Class (II) 1KHz±10%, 1.0±0.2Vrms values > or = to 10uF 1.0Vrms 120Hz
Dissipation Factor (tanδ or Q)	<ul style="list-style-type: none"> Class (I) C<30pF:Q≥400+20xC C≥30pF:Q≥1000 Class (II) X7R:DF≤2.5% Y5V/Z5U:DF≤3.0% 	
Insulation Resistance(IR)	NPO-XR7: C≤50,000pF: IR≥100GΩ C>50,000pF: IR≥500MΩ. Per Uf. Y5V/Z5U: IR≥10GΩ	Apply rated voltage for 60 seconds at room temperature and normal humidity. (70% RH max)
Dielectric Withstanding Voltage	There shall be no evidence of damage or flash over during the test	Apply 3 x rated voltage (Class I) or 2.5 x rated voltage (Class II) to both terminations for 5 seconds. Charge and discharge current are less than 50mA.
Termination Adherence	No mechanical damage	 <p>Care shall be taken to avoid thermal shock. 500g of steady pull is applied in direction of arrow for 1 minute.</p>
Bend Strength	No mechanical damage	<p>After soldering capacitor on the glass-epoxy PWB, 2 mm of vending shall be applied for 10 seconds as shown by drawing.</p> 
Life Test (High Temperature Loading Test)	ΔC	Applied 2 x rated voltage at maximum operating temperature for 1000 hours. The surge current shall not exceed 50mA after above testing condition, test samples shall be kept in room temperature for 24 hours (Class I) or 48 hours (Class II), and then shall be measured.
	Q or DF	
	IR	



RELIABILITY AND TEST CONDITIONS

Item	Specification	Test Method
Moisture Test	<ul style="list-style-type: none"> Class (I) No more than $\pm 5\%$ or $\pm 0.5\text{pF}$ whichever is larger Class (II) X7R:$\pm 10\%$ Y5V/Z5U:$\pm 30\%$ 	<p>The capacitors shall be subjected to 40°C, 90-95%RH for 500 hours.</p> <p>After above testing condition, samples shall be kept in room temperature for 24 hours (Class I) or 48 hours (Class II), and then shall be measured.</p>
	<ul style="list-style-type: none"> Class (I) $C < 10\text{pF}$: $Q > 200 + 10 \times C$ $10 \leq C < 30\text{pF}$: $Q \geq 275 + 5/2 \times C$ $C \geq 30\text{pF}$: $Q \geq 350$ Class (II) X7R: $DF \leq 5.0\%$ Y5V/Z5U: $DF \leq 7.5\%$ 	
	IR 1000M Ω or 50 ΩF , whichever is less	
Moisture Resistance Test	<ul style="list-style-type: none"> Class (I) No more than $\pm 7.5\%$ or $\pm 0.75\text{pF}$ whichever is larger Class (II) X7R:$\pm 10\%$ Y5V/Z5U:$\pm 30\%$ 	<p>Apply rated voltage at 40°C, 90-95%RH for 500 hours.</p> <p>The surge current shall not exceed 50mA. After testing with above condition, samples shall be kept in room temperature for 24 hours (Class I) or 48 hours (Class II), and then shall be measured.</p>
	<ul style="list-style-type: none"> Class (I) $C < 30\text{pF}$: $Q > 100 + 100/3 \times C$ $C \geq 30\text{pF}$: $Q \geq 200$ Class (II) X7R: $DF \leq 5.0\%$ Y5V/Z5U: $DF \leq 7.5\%$ 	
	IR 500M Ω or 25 ΩF , min whichever is less	
Temperature Cycle	<ul style="list-style-type: none"> Class (I) No more than $\pm 2.5\%$ or $\pm 0.25\text{pF}$ whichever is larger Class (II) X7R:$\pm 5\%$ Y5V/Z5U:$\pm 20\%$ 	<p>Perform 5 cycles as follow:</p> <ol style="list-style-type: none"> Room temperature. Dwell for 15 minutes. Minimum operating temperature, dwell for 30 minutes. Room temperature, dwell for 30 minutes. Maximum operating temperature, dwell for 30 minutes. <p>After above testing condition, samples shall be kept in room temperature for 24 hours (Class I) or 48 hours (Class II), and then shall be measured.</p>
	Q or DF To satisfy the specified initial value.	
	IR To satisfy the specified initial value.	
Solderability	Termination area shall be at least 95% covered with a new solder coating. There shall be no crack and ceramic exposure of terminated surface by melting.	The capacitors are completely immersed during 4 ± 0.5 seconds in the molten solder with a temperature of $230 \pm 5^\circ\text{C}$ *Solder: Sn 63.
Resistance to Solder Heat Test	<ul style="list-style-type: none"> Class (I) No more than $\pm 2.5\%$ or $\pm 0.25\text{pF}$ whichever is larger Class (II) X7R:$\pm 5\%$ Y5V/Z5U:$\pm 20\%$ 	<p>Immerse into molten solder at $270 \pm 5^\circ\text{C}$ for 3 ± 0.5 seconds. Preheat before immersion.</p> <ol style="list-style-type: none"> $80 \sim 100^\circ\text{C}$ for 2 minutes. $150 \sim 180^\circ\text{C}$ for 2 minutes. $270 \pm 5^\circ\text{C}$ for 3 ± 0.5 seconds. <p>The capacitance measurement shall be made after sample keeping at room temperature for 24 hours.</p>
	Q or DF To satisfy the specified initial value.	
	IR To satisfy the specified initial value.	



APPLICATION MANUAL FOR SURFACE MOUNTING

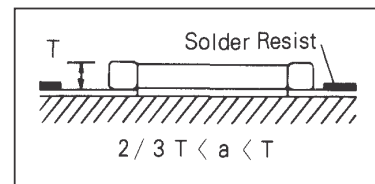
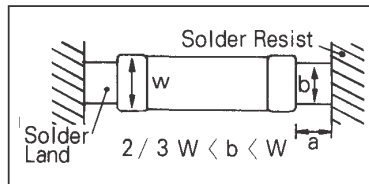
1. Temperature / Humidity Control

Since dew condensation may occur by the differences in temperature when the products are taken out of storage, it is important to maintain a temperature-controlled environment.

2. Design of Solder Land Pattern

When designing printed circuit boards, the shape and size of the solder lands must allow for the proper amount of solder on the capacitor. The amount of solder at the end terminations has a direct effect on the probability that the chip will crack. The greater amount of solder, the larger amount of stress on the chip, and the more likely that it will break. Use the following illustrations as guidelines for proper solder land design.

Recommendation of solder land shape and size.



3. Adhesives

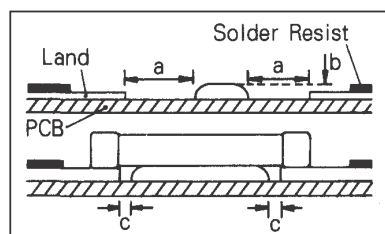
MLCCs generally require the use of an adhesive to adhere the chips to the circuit board prior to wave soldering.

3-1. Requirements for Adhesives

- They must have enough adhesion so that the chips will not fall off or move during the handling of the circuit board.
- They must maintain their adhesive strength when exposed to soldering temperatures.
- They should not spread or run when applied to the circuit board.
- They should have a long pot life.
- They should harden quickly.
- They should not corrode the circuit board or chip material.
- They should be a good insulator.
- They should be non-toxic, and not produce harmful gases, nor be harmful when touched.

3-2. Application Method

It is important to use the proper amount of adhesive. Too little will cause poor adhesion to the circuit board, and too much may strain the conductor pattern, thereby causing defective soldering. The following illustrations show the proper quantity of adhesive.



(Unit: mm)

Type	21	31
a	0.2 min	0.2 min
b	70~100μm	70~100μm
c	>0	>0

3-3. Adhesive Hardening Characteristics

To prevent oxidation of the terminations, the adhesive must harden at 160°C or less, within 2 minutes or less.



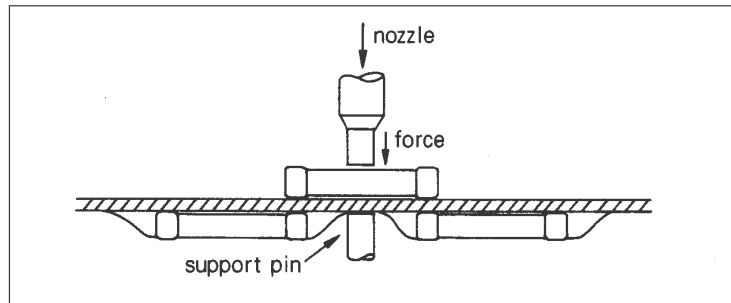
4. Mounting

4-1. Mounting Head Pressure

Excessive pressure will cause chip capacitors to crack. The pressure between nozzle and chip capacitor will be 300g maximum during mounting.

4-2. Bending Stress

Bending of printed circuit board by mounting head when double-sided circuit boards are used, chip capacitors first are mounted and soldered onto one side of the board. When the capacitors are mounted onto the other side, it is important to support the board as shown in the illustration. If the circuit board is not supported, it may bend, causing the already installed capacitors to crack.



5. Flux

Although highly activated flux gives better solderability, substances which increase activity may also degrade the insulation of the chip capacitors. To avoid such degradation, it is recommended that a mildly activated rosin flux (less than 0.2% chlorine) be used.

6. Soldering

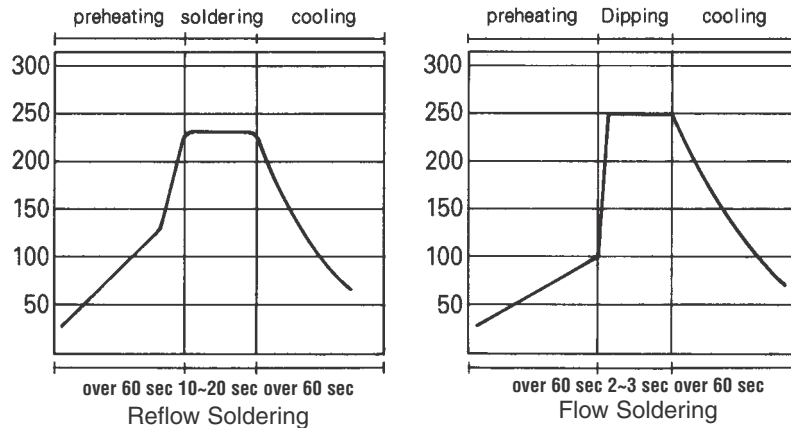
Since a multilayer chip ceramic capacitor comes into direct contact with melted solder during soldering, it is exposed to potentially damaging mechanical stress caused by the sudden temperature change. The capacitor may also be subject to silver migration, and to contamination by the flux. Because of these factors, soldering technique is critical.

6-1. Soldering Methods

Method	Classification	
Reflow Soldering	Mass reflow	<ul style="list-style-type: none"> • IR/Convection • VPS (Vapor phase)
	Selective reflow	<ul style="list-style-type: none"> • Hot air/gas • Laser
Flow Soldering	Dual Wave	

6-2. Soldering Profile

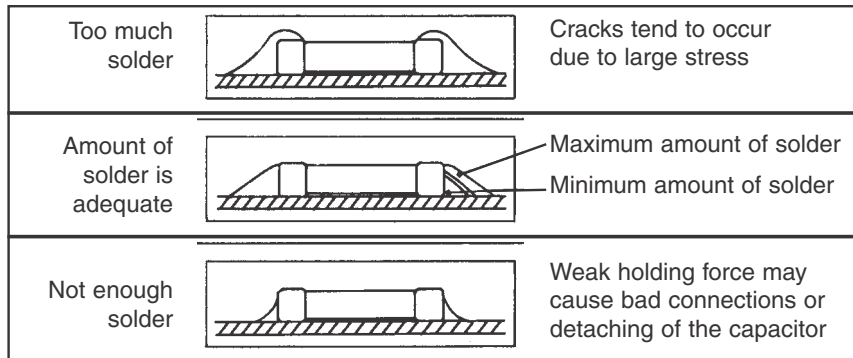
To avoid the crack problem by sudden temperature change, follow the temperature profile in the adjacent graph.



6-3. Manual Soldering

Manual Soldering can pose a great risk of creating thermal cracks in chip capacitors. The hot soldering iron tip comes into direct contact with the end terminations, and operator's carelessness may cause the tip of the soldering iron to come into direct contact with the ceramic body of the capacitor. Therefore the soldering iron must be handled carefully, and close attention must be paid to the selection of the soldering iron tip and to temperature control of the tip.

6-4. Amount of Solder



6-5. Cooling

Natural cooling using air is recommended. If the chips are dipped into solvent for cleaning, the temperature difference (ΔT) must be less than 100°C.

6-6. Cleaning

If rosin flux is used, cleaning usually is unnecessary. When strongly activated flux is used, chlorine in the flux may dissolve into some types of cleaning fluids, thereby affecting the chip capacitors. This means that the cleaning fluid must be carefully selected, and should always be new.

7. Notes for Separating Multiple, Shared PC Boards

A multi-PC board is separated into many individual circuit boards after soldering has been completed. If the board is bent or distorted at the time of separation, cracks may occur in the chip capacitors. Carefully choose a separation method that minimizes the bending of the circuit board.

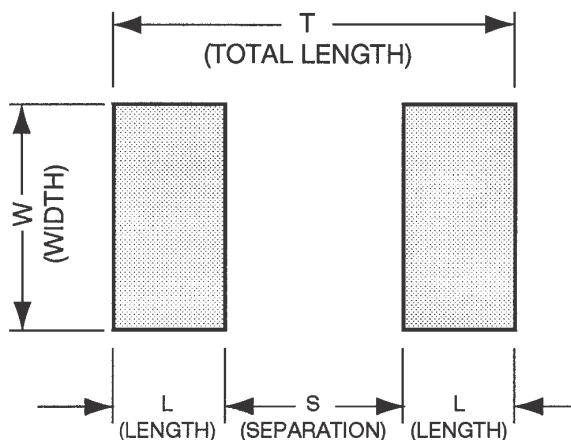


APPLICATION INFORMATION ON SOLDER PAD DESIGN FOR SURFACE MOUNT CHIP CAPACITOR

Recommended Pad Dimensions

Chip Size	Dimensions (inches)			
	L	W	S	T
0402*	0.021	0.022	0.017	0.059
0603*	0.035	0.030	0.030	0.100
0805	0.040	0.050	0.040	0.120
1206	0.040	0.065	0.080	0.160
1210	0.040	0.100	0.080	0.160
1812*	0.050	0.120	0.130	0.230
1825*	0.050	0.250	0.130	0.230
2220	0.050	0.250	0.130	0.230
2225*	0.050	0.250	0.170	0.270
3640*	0.060	0.400	0.300	0.420

*These sizes are recommended for use with IR and vapor phase soldering only.



NOTICE: Specifications are subject to change without notice. Contact your nearest Cal-Chip Sales Office for the latest specifications. All statements, information and data given herein are believed to be accurate and reliable, but are presented without guarantee, warranty, or responsibility of any kind, expressed or implied. Statements or suggestions concerning possible use of our products are made without representation or warranty that any such use is free of patent infringement and are not recommendations to infringe any patent. The user should not assume that all safety measures are indicated or that other measures may not be required. Specifications are typical and may not apply to all applications.