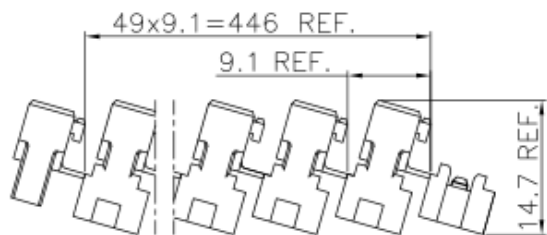


REV.	LOCAS.	DESCRIPTION	DATE	DRAWN
A	NEW	INTERIM INITIAL RELEASE.	2021.12.20	彭奕敏



Shipping Arrangement: 50 sets per strip  
Shipped in carton box



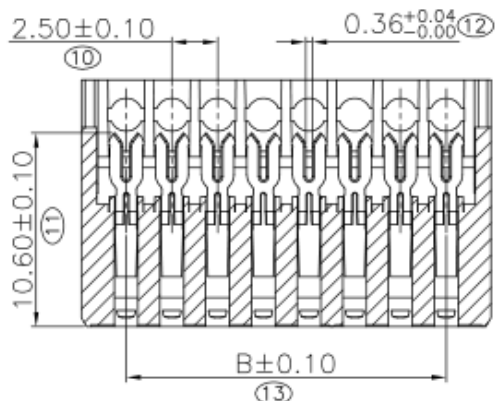
Specifications  
Current Rating:2.0Amp  
Insulation Resistance:1000MΩMin.  
Dielectric Withstanding Voltage:500VAC  
Contact Resistance:10mΩMax.  
Operating Temperature:-40°C to +130°C  
Materials

Contact Material:Phosphor Bronze  
Insulator Material:Thermoplastic,  
UL 94V-0 PBT or the equivalent material

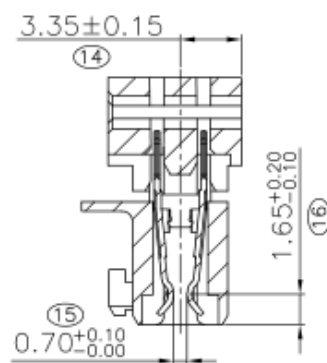
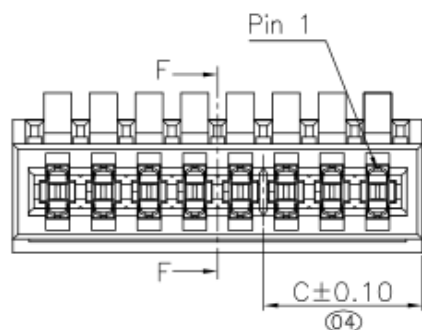
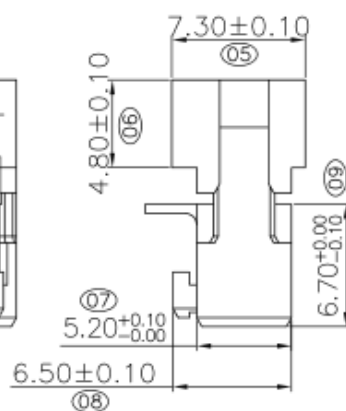
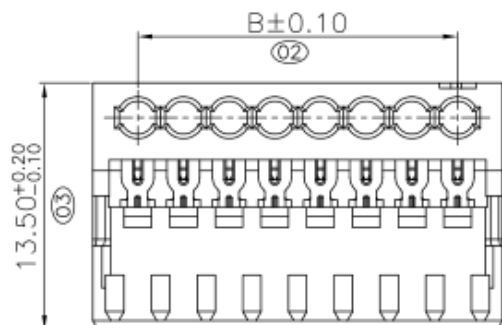
☆All materials must meet Greenconn hazardous substances control standards.

"★": Critical Characteristics.  
indicates product characteristics, functionalities, and manufacturing processes regarding to customer's specifications

"☆": Safety Features  
indicates product characteristics, functionalities, and manufacturing processes complying to legal regulations stated by local government

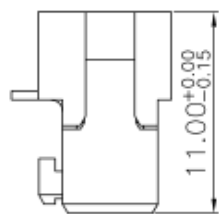


SECTION E-E



SECTION F-F

Pin NO.	A	B	Spacer bar	C
02	7.40	2.50	00	
03	9.90	5.00	12	3.70
04	12.40	7.50	23	6.20
05	14.90	10.00	34	8.70
06	17.40	12.50	45	11.20
07	19.90	15.00	56	13.70
08	22.40	17.50	67	16.20
09	24.90	20.00	78	18.70
10	27.40	22.50	9A	21.20
11	29.90	25.00	AB	23.70
12	32.40	27.50	BC	26.20
13	34.90	30.00	CD	28.70
14	37.40	32.50	DE	31.20
15	39.90	35.00	EF	33.70
16	42.40	37.50	FG	36.20
17	44.90	40.00	GH	38.70

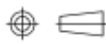


Fully Loaded



Website:www.greenconn.com  
E-mail:sales@greenconn.com

3RD.ANG PROJ.



PAGE. 1/2

GENERAL TOLERANCE

X.\*±5.0" X.±0.30

.X\*±3.0" .X±0.25

.XX\*±2.0" .XX±0.15

.XXX\*±1.0" .XXX±0.10

DESIGNED: 彭奕敏

DATE: 2021.12.20

DWG. NO.

CSGA106-CAEXX

CHECKED:

DATE:

PART NO.

CSGA106-XXXXAEXXAXAX-XX

APPROVED:

DATE:

TITLE.

RASTLink 2.5mm  
Single Row  
Female Connector

REV.	UNIT.	SCALE.
A	mm	5:2

# Ordering Information

REV.	LOCAS.	DESCRIPTION	DATE	DRAWN
A	NEW	INTERIM INITIAL RELEASE.	2021.12.20	彭奕敏

C SGA106 - XX XX A E XX A X A X - XX

No. Of Pins Per Row  
02~17

Standard Plating  
97=100~200u" Bright tin over  
50~100u" Ni underplate overall.

Spacer bar Code explanation:

00: No keying  
12: Keying between pin 1 and pin 2  
23: Keying between pin 2 and pin 3  
...and so on  
(When the pin number is above 10, use the letters A, B, C...  
A for 10, B for 11... and so on, for example, when the code is AB, it means there is a key between the 10th Pin and the 11th Pin)

Color  
1=Black  
4=Natural  
Standard Packing  
B=Tray

Empty Pin Code explanation:  
00: No empty pins(This code can be omitted)  
01: Empty 1st Pin  
02: Empty 2nd Pin  
...  
23: Empty 2nd Pin and 3rd Pin  
...and so on  
(When the pin number is above 10, use the letters A, B, C...  
A for 10, B for 11.... And so on.For example,  
0A: Empty 10th Pin  
8C: Empty 8th Pin and 12th Pin  
AB: Empty 10th Pin and 11th Pin)

PART NO.	Product form (buckle)	PART NO.	Product form (without buckle)
CSGA106-XXXXAAXXAXAB-XX		CSGA106-XXXXAEXXAXAB-XX	
CSGA106-XXXXABXXAXAB-XX		CSGA106-XXXXAFXXAXAB-XX	
CSGA106-XXXXACXXAXAB-XX		CSGA106-XXXXAGXXAXAB-XX	
CSGA106-XXXXADXXAXAB-XX		CSGA106-XXXXAHXXAXAB-XX	



Website: www.greenconn.com  
E-mail: sales@greenconn.com

REV. A UNIT. mm SCALE. 3:2

3RD.ANG PROJ. PAGE. 2/2

### GENERAL TOLERANCE

X'±3.0'	X.±0.15
.X'±2.0'	.X±0.10
.XX'±1.0'	.XX±0.05
.XXX'±0.5'	.XXX±0.03

DESIGNED: 彭奕敏

DATE: 2021.12.20

CHECKED:

DATE:

APPROVED:

DATE:

DWG. NO.

CSGA106-CAEXX

PART NO.

CSGA106-XXXXAEXXAXAX-XX

TITLE.

RASTLink 2.5mm  
Single Row  
Female Housing