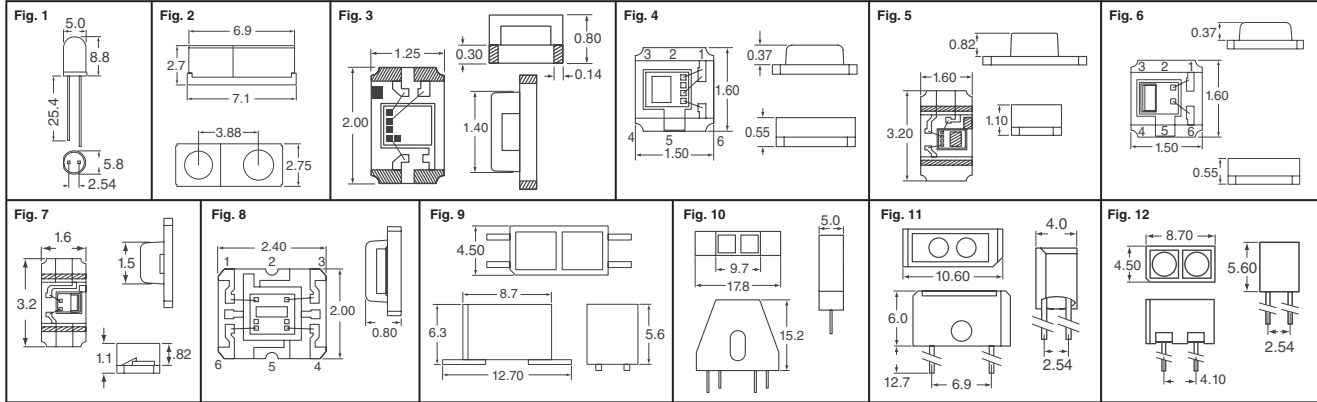




Dimensions in mm



IR Emitter Absolute Maximum Ratings at T_A = 25°C, λ = 940nm

Fig.	Forward Voltage (V@mA)	If (mA)	Radiant Intensity mW/sr	Beam Angle	Peak Length (nm)	Digi-Key Part No.	1	10	100	Price Each	Avago Part No.
1	1.15@20	100	4@20mA	50°	940	516-1260-ND	12.92	10.99	9.37		HEMT-3301

Surface Mount Proximity Sensor

Fig.	Forward Voltage	If (Maximum)	Supply Voltage	Photo Current	Dark Current (Maximum)	Digi-Key Part No.	Cut Tape Price Each			Digi-Key Part No.	Tape and Reel Pricing	Avago Part No.
							1	10	100		2,500	
2	1.5V	50mA	1.3V	.1mA	10nA	516-1555-1-ND	23.30	20.49	17.38	516-1555-2-ND	9930.34/M	HSDL-9100-021

Ambient Light Sensors

Fig.	Supply Voltage Range	Light Current Ratio (Typical)	Rise Time (ms)	Fall Time (ms)	Peak Wavelength Sensitivity (nm)	Digi-Key Part No.	Cut Tape Price Each			Digi-Key Part No.	Tape and Reel Pricing	Avago Part No.
							1	10	100		2,500	
3	2.4 - 5.5	1.2	0.95	0.8	620	516-1714-1-ND	8.84	7.52	6.42	516-1714-2-ND	3868.42/M	APDS-9002-021
4	2.4 - 5.5	1.2	0.95	0.8	620	516-1715-1-ND	10.20	8.68	7.40	516-1715-2-ND	4463.56/M	APDS-9003-020
5	2.4 - 5.5	1.2	0.95	0.8	620	516-1716-1-ND	10.54	8.97	7.65	516-1716-2-ND	4612.34/M	APDS-9004-020
6	1.8 - 5.5	1.1	5	5	500	516-1717-1-ND	10.88	9.25	7.89	516-1717-2-ND	4761.12/M	APDS-9005-020
7	2.4 - 5.5	1.1	5	5	500	516-1718-1-ND	12.24	10.41	8.88	516-1718-2-ND	5356.26/M	APDS-9006-020
8	2 - 3.6	1.2	0.2	0.2	560	516-1719-1-ND	8.50	7.23	6.17	516-1719-2-ND	3719.63/M	APDS-9007-020

Reflective Sensors

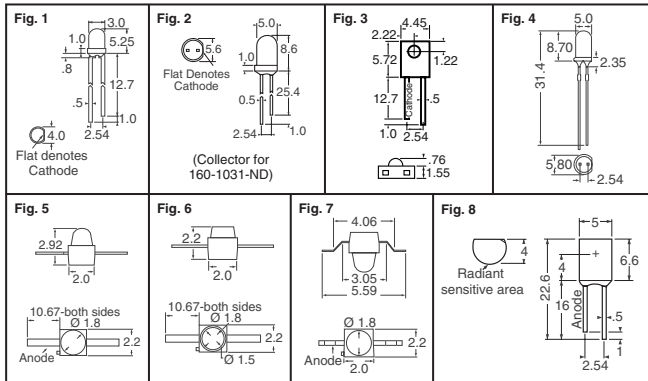
Fig.	Forward Voltage (Maximum)	If (Maximum)	Dark Current (Maximum)	Rise / Fall (ms) (Typical)	Operating Temperature Range	Digi-Key Part No.	Cut Tape Price Each			Digi-Key Part No.	Tape and Reel Pricing	Avago Part No.
							1	10	100		800	
9	1.6	60mA	100nA	3/4	-25°C - 85°C	516-1720-1-ND	9.86	8.39	7.16	516-1720-2-ND	4339.42	APDS-9101-L21
10	1.6	50mA	100nA	—	-35°C - 65°C	516-1721-ND	9.86	8.39	7.16	—	—	APDS-9102-L22
11	1.6	60mA	100nA	3/4	-25°C - 85°C	516-1722-ND	10.03	8.53	7.28	—	—	APDS-9103-L22
12	1.6	60mA	100nA	—	-25°C - 85°C	516-1723-ND	9.86	8.39	7.16	—	—	APDS-9104-L22

LITEON Infrared Emitting Diodes, Photodetectors and Photodiodes



Features of Infrared Emitting Diodes: • Selected to specific on-line intensity and radiant intensity ranges • Low cost plastic end looking package • Made with gallium aluminum arsenide window layer on gallium arsenide infrared emitting diodes
 Features of Photodetectors and Photodiodes: • Lensed for high sensitivity • Low cost plastic package

Dim. in mm



Photodiodes

Fig.	Description	Digi-Key Part No.	1	10	100	Lite-On Part No.
8	Black Plastic Diode	160-1032-ND	4.00	32.99	263.56	LTR-516AD

Infrared Emitting Diodes

Fig.	Vf	I (ma)	View Angle	Peak Length (nm)	Digi-Key Part No.	Pricing			T & R † Pricing	Lite-On Part No.
						1	10	100	1,500	
1	1.2	60	20°	940	160-1028-ND	2.04	17.00	136.03	—	LTE-4206
2	1.2	50	20°	940	160-1029-ND	2.04	17.00	136.03	—	LTE-4208
	1.2	100	40°	940	160-1061-ND	2.04	17.00	136.03	—	LTE-5208A
	1.3	100	35°	940	160-1062-ND	2.55	21.26	170.04	—	LTE-5228A
3	1.2	50	40°	940	160-1063-ND	2.04	17.00	136.03	—	LTE-302
4	1.50	100	30°	875	516-1261-ND	6.38	53.14	425.10	—	HSDL-4220
	1.50	100	17°	875	516-1262-ND	6.38	53.14	425.10	—	HSDL-4230
	1.40	100	52°	870	516-1706-ND	3.32	27.63	221.05	—	HSDL-4261
5	1.50	100	24°	875	516-1263-ND	6.38	53.14	425.10	—	HSDL-4420
	1.50	100	24°	875	516-1265-1-ND	5.87	48.89	391.09	2737.65/M	HSDL-4420#031

Matching Photodetectors

Fig.	Vce	Vec	On-State I (ma)	Rise/Fall (us)	Digi-Key Part No.	Pricing			Lite-On Part No.
						1	10	100	
1	30	5	2	5	160-1030-ND	1.28	10.63	85.02	LTR-4206E
2	30	5	2	5	160-1031-ND	1.96	15.98	127.53	LTR-3208E
3	30	5	1	5	160-1065-ND	1.96	15.98	127.53	LTR-301

IR Detectors

Fig.	Output Cur. (µA)	Dark Cur. (nA)	Peak Sensitivity (nm)	Forward Voltage (Typical)	View Angle	Digi-Key Part No.	Pricing			T & R † Pricing	Lite-On Part No.
							1	10	100	1,500	
6	1.6	1	875	0.8V	110°	516-1266-ND	4.34	36.13	289.07	—	HSDL-5400
5	6.0	1	875	0.8V	28°	516-1267-ND	4.34	36.13	289.07	—	HSDL-5420
7	6.0	1	875	0.8V	28°	516-1268-1-ND	4.59	38.26	306.07	2142.51/M	HSDL-5420#031

† For Tape and Reel part number, change 1-ND to 2-ND. Absolute Maximum Ratings at T_A = 25°C, λ = 940nm

Digi-Reel® Most SMT cutdown parts are available on a Digi-Reel®. For Digi-Reel part number, change 1-ND to 6-ND or CT-ND to DKR-ND. See Digi-Key® Services on page 2 for additional information.

Free shipping on orders over HK\$750! All prices are in Hong Kong dollar.

hk.digikey.com — Telephone: (852) 3104 0500 — Fax: (852) 3104 0686

(HK092-10) 2227