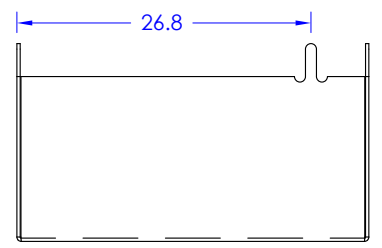


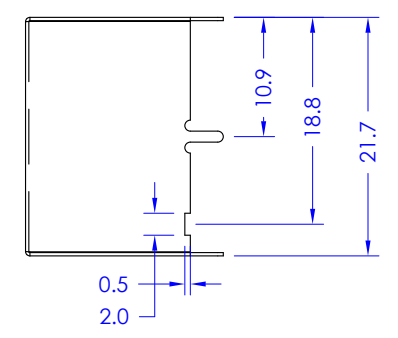
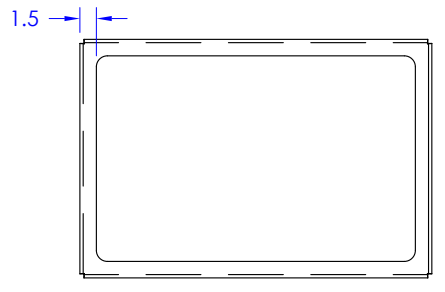
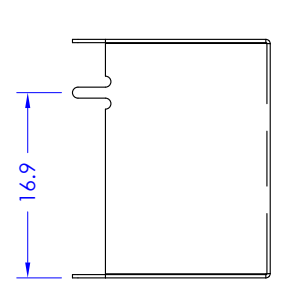
USED ON.	NEXT ASSY.	REV.	ECN No.	DATE.	NAME.	SIGN.

4 5 6 7 8

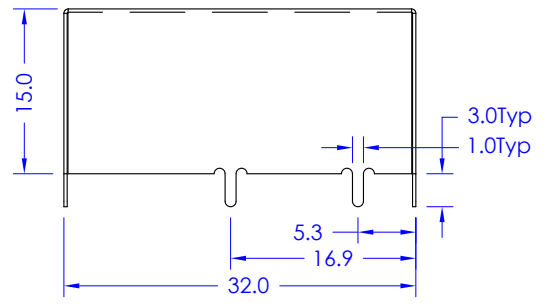
B



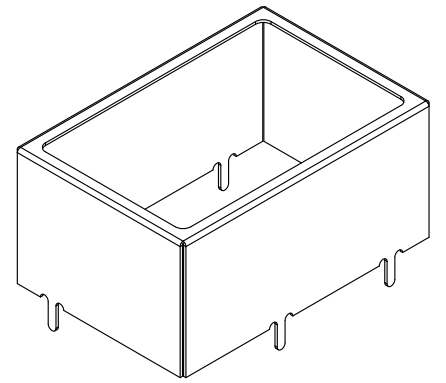
C



D



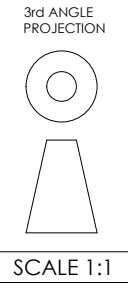
F



**Note**  
 1. TS275E 8.4/8.4  
 2. Electrolytic Tin Plate As Per EN 10202 : 2001  
 Min Tin Thickness 3.5 µm  
 3. General tolerance ±0.2mm  
 Non Dimensioned items remain **MASACH** property.



COMPANY:		INTEL		DESCRIPTION:		RF FRAME	
DES.		ITEM No:	INL011F			REV:	
DR.	ARIEL	10.5.15					
CHK.							
APP.			MATERIAL:		FINISH:		
QA.			TIN STEEL 0.3mm (See Note 1,2)		_____		



SCALE 1:1

1 2 3 4