

# TP-103 Series Printed Circuit Mounted Test Points

Printed Circuit Mounted Test Points



## Specifications

### Materials:

**Contact Material:** .017" diameter Phosphor Bronze #510 Alloy

**Finish:** .0001 Matte Tin over .00005 Nickel

### Mechanical:

**Mounting Holes:** .040" diameter, (minimum) plated through hole

TP-103-02 = .200"

TP-103-03 = .100"

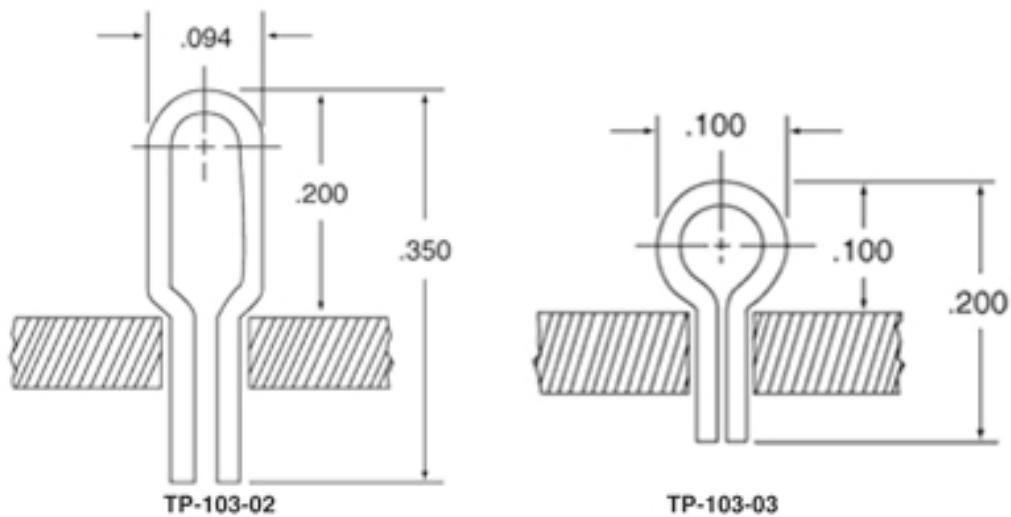
### Electrical:

**Maximum Current:** 2.0 amperes

### Special Notations:

A convenient, inexpensive hand tool (model #1020) is available to facilitate placement of TP-103 test points during assembly operations.

## TP-103 Contacts



\*Note: Leads flared to provide retention in the printed circuit board.

Part number TP-103-02 is suitable for the majority of standard board applications. Specify part number TP103-03 for extremely low profile for surface mount compatibility.

## Ordering Information

Example:

**TP-103 - 02 - T**

● **Series Designation:**  
TP-103

● **Loop Height:**  
02 = .200"  
03 = .100"

● **Finish:**  
Matte Tin over Nickel

## **Product Description**

With the incorporation of the TP-103 series of printed circuit board mounted test points, significant improvement in function, profile and safety may be realized over the use of .025" square wire wrap posts, the unique loop profiles of these units insure a secure anchor for spring loaded test hooks and scope probes; above board heights are dramatically reduced and technicians need no longer fear puncture wounds when involved in circuit "Trouble Shooting."

Formed from a phosphor bronze alloy, TP-103 test points fit in the same hole diameters formerly occupied by wrap posts. No re-design costs are involved in the application of this product series.

Two part numbers are available in the TP-103 series: The TP-103-02-T offers a loop height of .200" and provides sufficient profile for most conventional printed circuit board designs. The TP-103-03-T is an ultra low profile version compatible with the component height dimensions of surface mount devices.

### **Certificate of Compliance with Directive 2002/95/EC RoHS and REACH Regulations EC 1907/2006**

This is to certify that Components Corporation designs, manufactures and supplies products to our customers that are in compliance with RoHS Directive 2002/95/EC and REACH Regulations EC 1907/2006. This also pertains to procurement of raw material, component parts and processes.