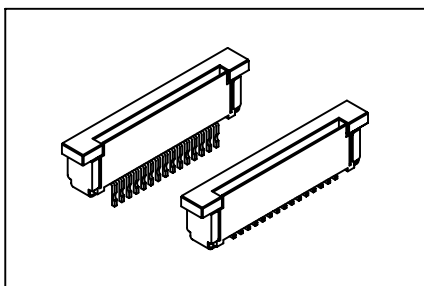


# 2434 Series

FFC/FPC Connector 1.00mm(0.0039") SMD ZIF Type



## Material:

**Housing:** High temperature housing UL94V-0 withstands IR and VPR soldering methods.

**Contacts:** Phosphor Bronze.

**Leg:** Brass.

**Plating:** Tin plated.

## Electrical Characteristics:

**Current Rating:** 0.5 AMP.

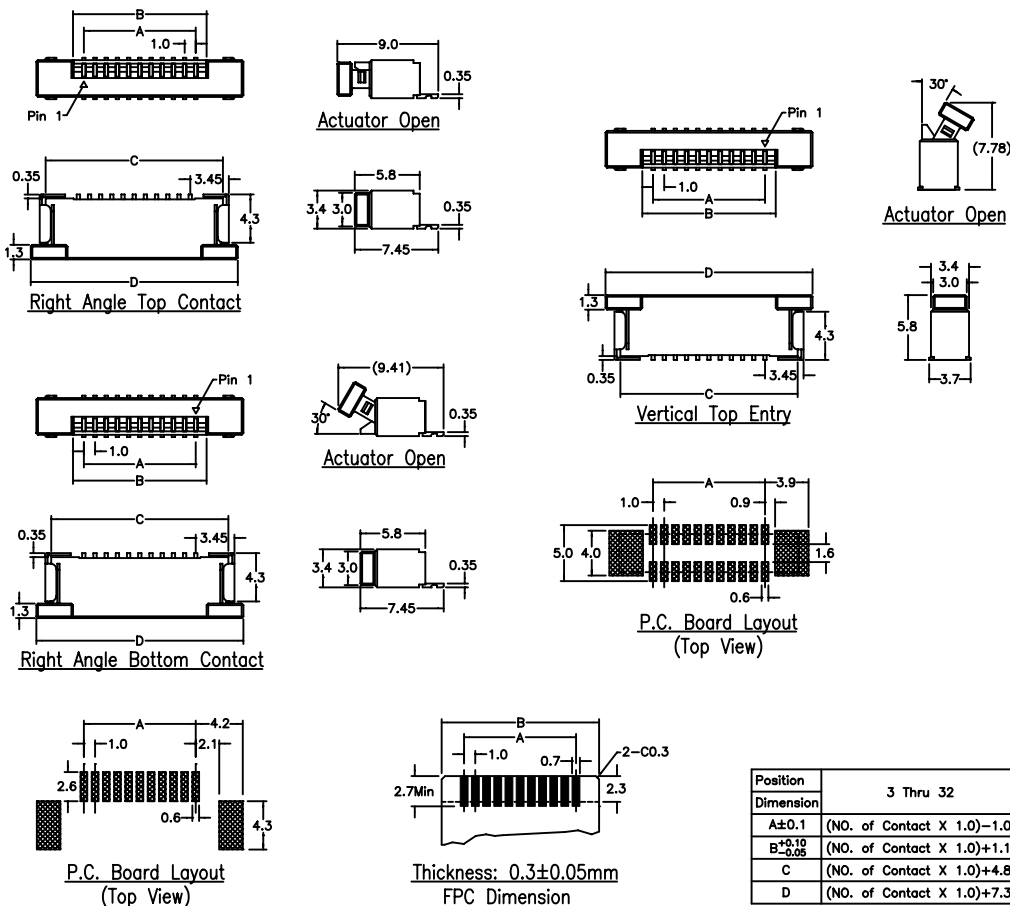
**Insulator Resistance:** 100M $\Omega$ min. at DC 500V.

**Contact Resistance:** 20m $\Omega$ max. at DC 100mA.

**Operating Temperature:** -55°C ~ +85°C.

## Features:

- \* ZIF, Surface Mount.
- \* Size 3 through 32 available.
- \* For 0.30mm(0.0118") thick FFC/FPC.



Position	3 Thru 32
Dimension	
A±0.1	(NO. of Contact X 1.0)-1.0
B <sup>+0.10</sup> <sub>-0.05</sub>	(NO. of Contact X 1.0)+1.1
C	(NO. of Contact X 1.0)+4.8
D	(NO. of Contact X 1.0)+7.3

## Ordering information

2434-

32

I

D1

I

Series No. of Pin Count T: Tin Plated

D1: Right Angle Top Contact  
D2: Right Angle Bottom Contact  
D3: Vertical Top Entry

T: Tape & Reel