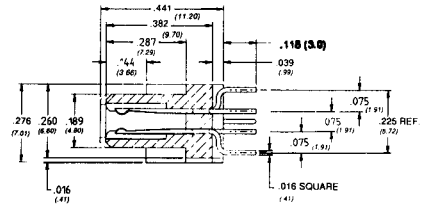
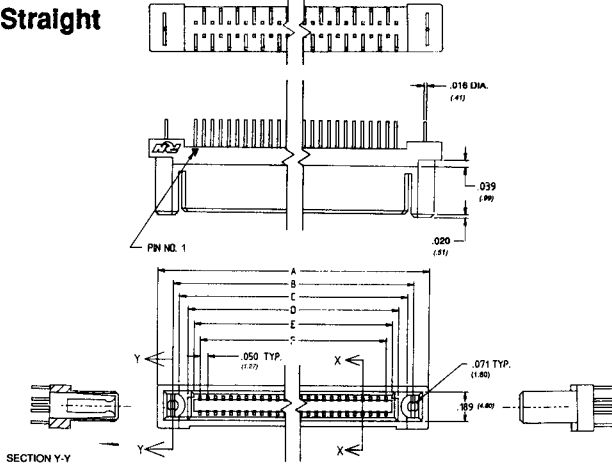


## SOCKETS

## P50-XXXSG-XX-TGF

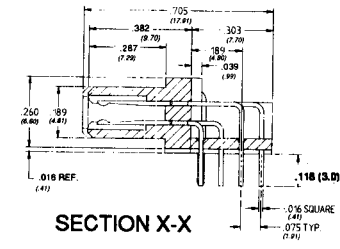
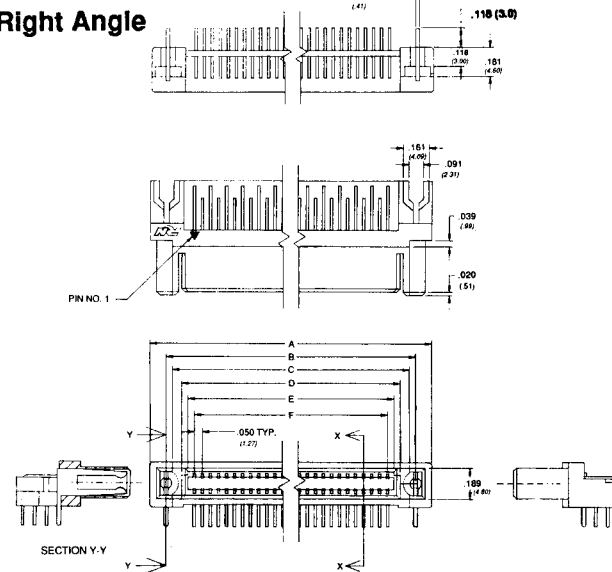
### Straight



SECTION X-X

No. of Contacts	A	B	C	D	E	F
20	1.001 (25.43)	0.800 (20.32)	0.722 (18.33)	0.607 (15.42)	0.529 (13.44)	0.450 (11.43)
30	1.251 (31.78)	1.050 (26.67)	0.972 (24.69)	0.857 (21.77)	0.779 (19.79)	0.700 (17.78)
40	1.501 (38.13)	1.300 (33.02)	1.222 (31.04)	1.107 (28.12)	1.029 (26.14)	0.950 (24.13)
50	1.751 (44.48)	1.550 (39.37)	1.472 (37.39)	1.357 (34.47)	1.279 (32.49)	1.200 (30.48)
60	2.001 (50.83)	1.800 (45.72)	1.722 (43.74)	1.607 (40.82)	1.529 (38.84)	1.450 (36.83)
68	2.201 (55.91)	2.000 (50.80)	1.922 (48.82)	1.807 (45.40)	1.729 (43.92)	1.650 (41.91)
80	2.501 (63.53)	2.300 (58.42)	2.222 (56.44)	2.107 (53.52)	2.029 (51.54)	1.950 (49.53)
100	3.001 (76.22)	2.800 (71.12)	2.722 (69.14)	2.607 (66.22)	2.529 (64.24)	2.450 (62.23)

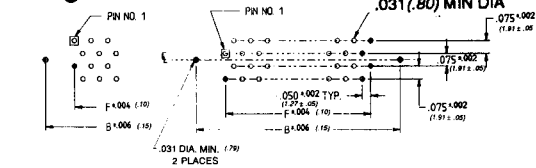
### Right Angle



SECTION X-X

## Printed Circuit Board Layout

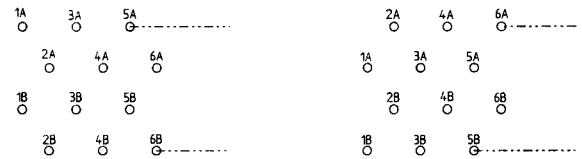
### Straight



30, 50 PIN Right Angle      20, 40, 60, 68, 80, 100 PIN

No. of Contacts	B	F
20	0.800 (20.32)	0.450 (11.43)
30	1.050 (26.67)	0.700 (17.78)
40	1.300 (33.02)	0.950 (24.13)
50	1.550 (39.37)	1.200 (30.48)
60	1.800 (45.72)	1.450 (36.83)
68	2.000 (50.80)	1.650 (41.91)
80	2.300 (58.42)	1.950 (49.53)
100	2.800 (71.12)	2.450 (62.23)

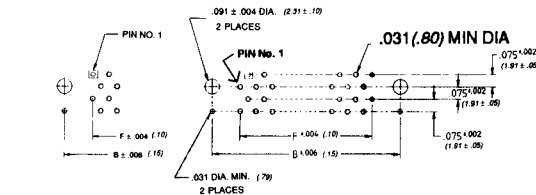
### Pin Out Identification



30, 50 PIN

20, 40, 60, 68, 80, 100 PIN

### Right Angle



30, 50 PIN      20, 40, 60, 68, 80, 100 PIN