

**MATERIAL**

Insulator : NY66+30% Glass fiber

Contact Pin : Brass

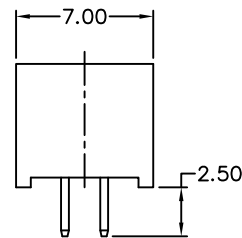
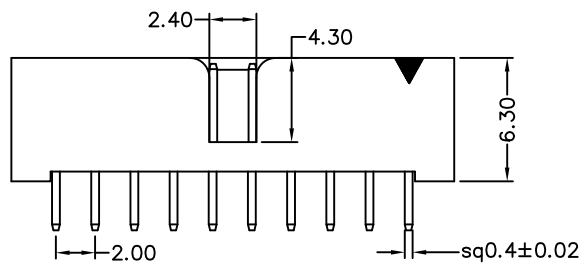
**SPECIFICATION**

Current Rate : 1 AMP

Insulation Resistance : 5000MΩMin. at DC 500V

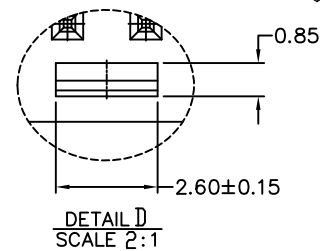
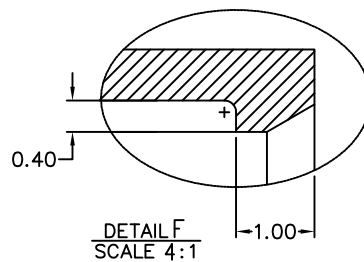
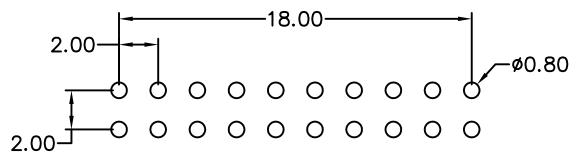
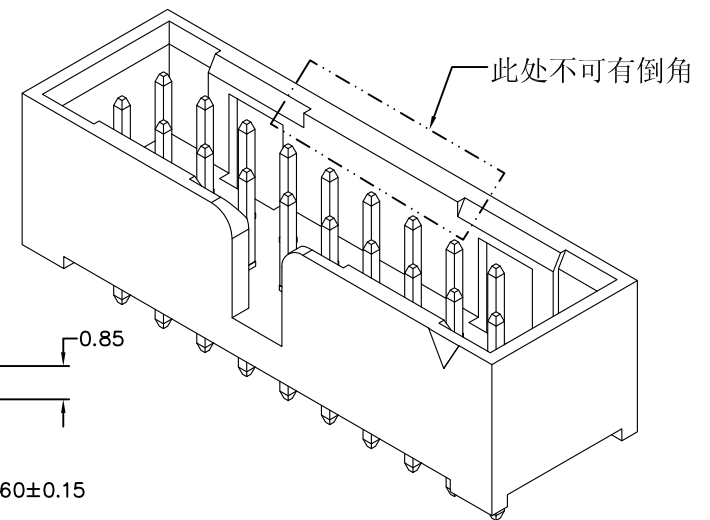
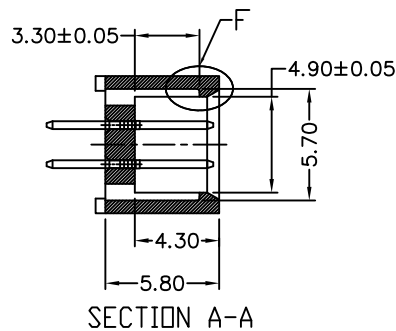
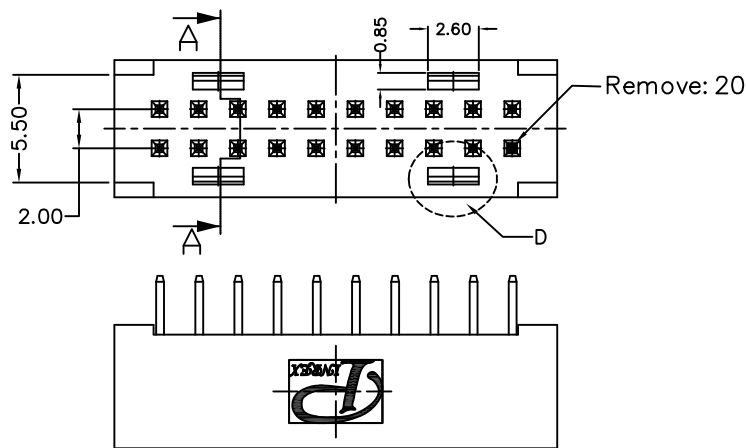
Contact Resistance : 20mΩMax. at DC 100mA

Dielectric Voltage : AC 500V for one minute



**P52X-8 0- 20 G U 65**  
 1 2 3 4 5

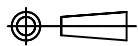
- 1. 8: Green Product
- 2. No. of contacts
- 3. G: 05u"min Gold flash  
T: Tin plated
- 4. B: Black Insulator  
U: Blue Insulator(300C)
- 5. Pinrex internal code.  
Housing: 93B-67-20AU14



Recommended P.C.B Layout

**TOLERANCE**

.0 =±.50  
.00 =±.30  
.000 =±.XXX  
.0000=±.  
ANG.=±3'



UNITS : mm

SCALE NONE SIZE A4

OLD PART NO.

DRAWER 胡雨婷

SHEET 1 OF 1

REV. A

CHECK

APP'D

TITLE

BOX HEADER 2.0\*2.0mm,  
STRAIGHT TYPE

NEW PART NO.

P52X-80-20GU65



頻銳科技股份有限公司  
PINREX TECHNOLOGY CORP.

DRAW NO.

P52X-80-20GU65

REV.	DESCRIPTION	DATE
A	RELEASE	2013/08/01