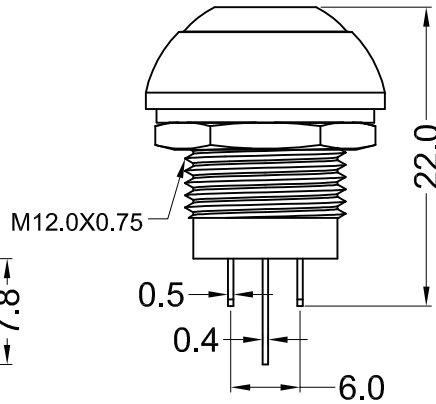
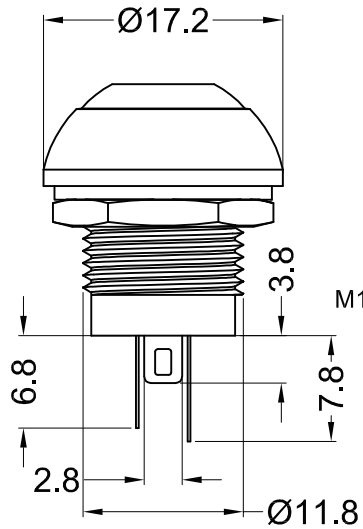
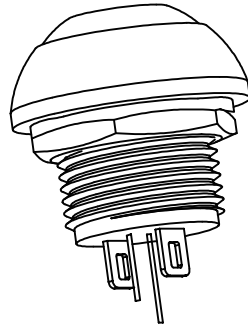
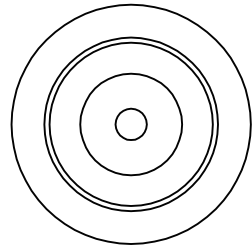
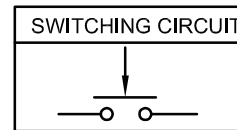
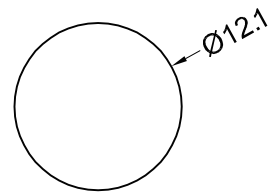


# 佳尼有限公司 CANAL COMPONENTS INC



CUT-OUT



Rating: 400mA 32VAC \ 100mA 50VDC  
125mA 125VAC

Contact Resistance: 50mΩ MAX.

Insulation Resistance: 100MΩ min.at 500VDC

Dielectric Strength: 1000 VAC rms.

Electrical life: 500,000 cycles

Operating Temperature: -20°C~80°C

Operating Pressure: 2~5N

Operating Stroke: 1.5~2.5mm

Protection Grade: IP67

Soldering: 300°C max. for 5 seconds

Lamp Type: Point Lamp (LED)

Lamp Life: 50000H

Function: OFF(ON)

MATERIAL:

Cover: Nylon66, UL rated: 94V-2 min

Base: Nylon66, UL rated: 94V-2 min

Terminal: Brass,

W	白色		
Y	黄色		
B	黑色	Y	黄色
G	绿色	G	绿色
U	蓝色	U	蓝色
R	红色	R	红色
盖子颜色	■	灯发光颜色	◆
Cover color	■	Emitted color	◆

NOTE: TOLERANCES UNLESS OTHERWISE SPECIFIED : ± .012 (mm),  
0.3

REVISION	DESCRIPTION	REVISED BY	TOLERANCES .x .xx		ANGLE 1/2°	UNIT	mm	PART NAME	SPEC DRAWING	DWG NO
△			DRAWN BY	張俊雄	DESIGNED BY	王豐文	SCALE			WS2894A
△			CHECKED BY		APPROVED BY		DATE	2015.10.15	PART NO	
△	2015.10.15 首次出圖	張俊雄							PB-12M12-RP##-FB	