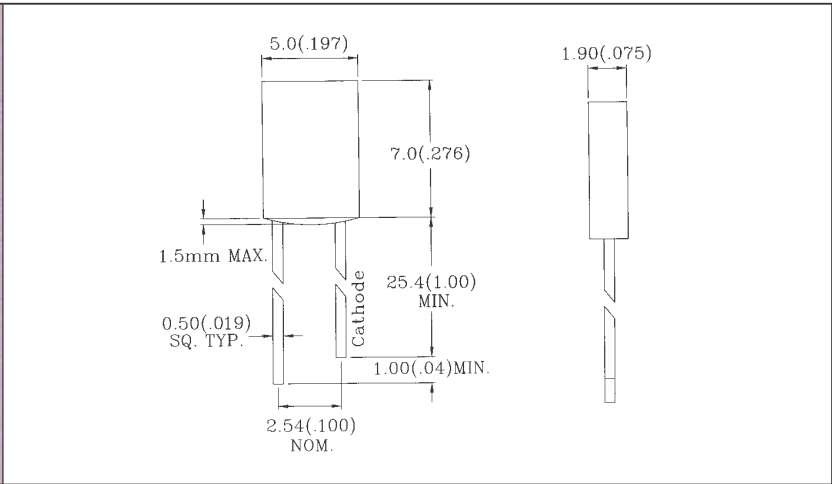
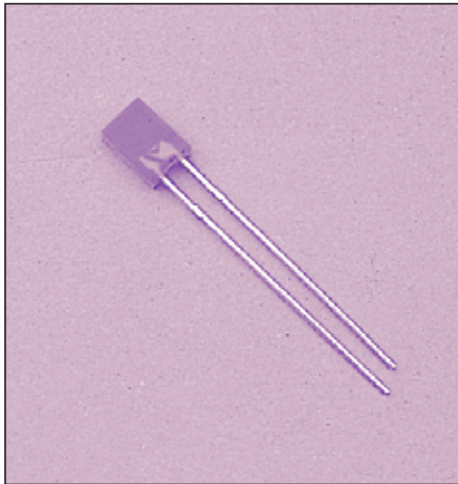
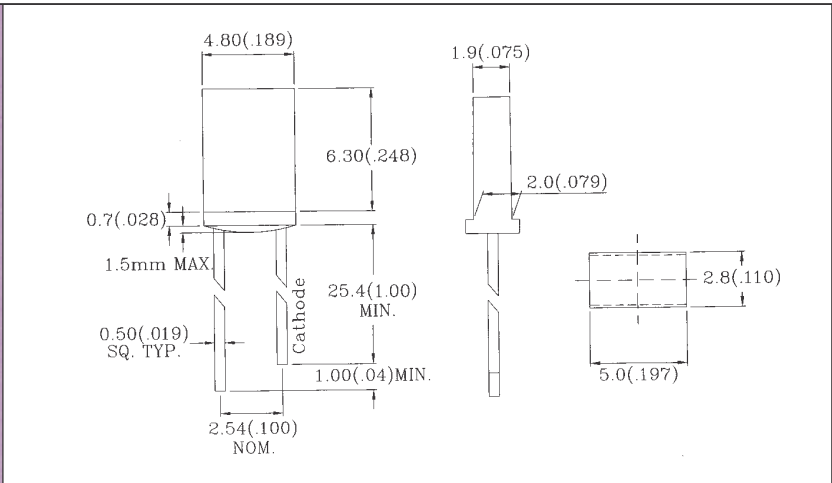
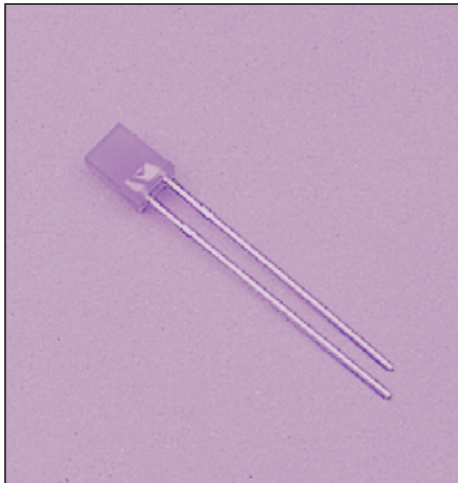


L-403XX 2.0x5.0x7.0 mm FLANGELESS RECTANGULAR LED LAMP



Part No.	Chip		Lens Color	Wave Length λ p(nm)	Electro-Optical Characteristics			View Angle (deg)
	Raw Material	Emitted Color			Vf(V)20mA		lv(mcd)20mA	
					Typ.	Max.	Typ.	
L-403HD	GaP	Red	Red Diffused	700	2.3	2.8	3.0	120
L-403GD	GaP	Green	Green Diffused	565	2.2	2.8	6.0	120
L-403YD	GaAsP/GaP	Yellow	Yellow Diffused	585	2.1	2.8	5.0	120
L-403ED	GaAsP/GaP	Hi. effi Red	Red Diffused	635	2.1	2.8	8.0	120
L-403SRD	GaAlAs	Super Red	Red Diffused	660	1.8	2.2	15.0	120

L-413XX 2.0x4.8x7.0 mm RECTANGULAR LED LAMP



Part No.	Chip		Lens Color	Wave Length λ p(nm)	Electro-Optical Characteristics			View Angle (deg)
	Raw Material	Emitted Color			Vf(V)20mA		lv(mcd)20mA	
					Typ.	Max.	Typ.	
L-413HD	GaP	Red	Red Diffused	700	2.3	2.8	3.0	120
L-413GD	GaP	Green	Green Diffused	565	2.2	2.8	6.0	120
L-413YD	GaAsP/GaP	Yellow	Yellow Diffused	585	2.1	2.8	5.0	120
L-413ED	GaAsP/GaP	Hi. effi Red	Red Diffused	635	2.1	2.8	8.0	120
L-413SRD	GaAlAs	Super Red	Red Diffused	660	1.8	2.2	15.0	120

- 1.All dimension are in millimeters (inches).
- 2.Tolerance is ± 0.25 mm (0.01") unless otherwise specified.