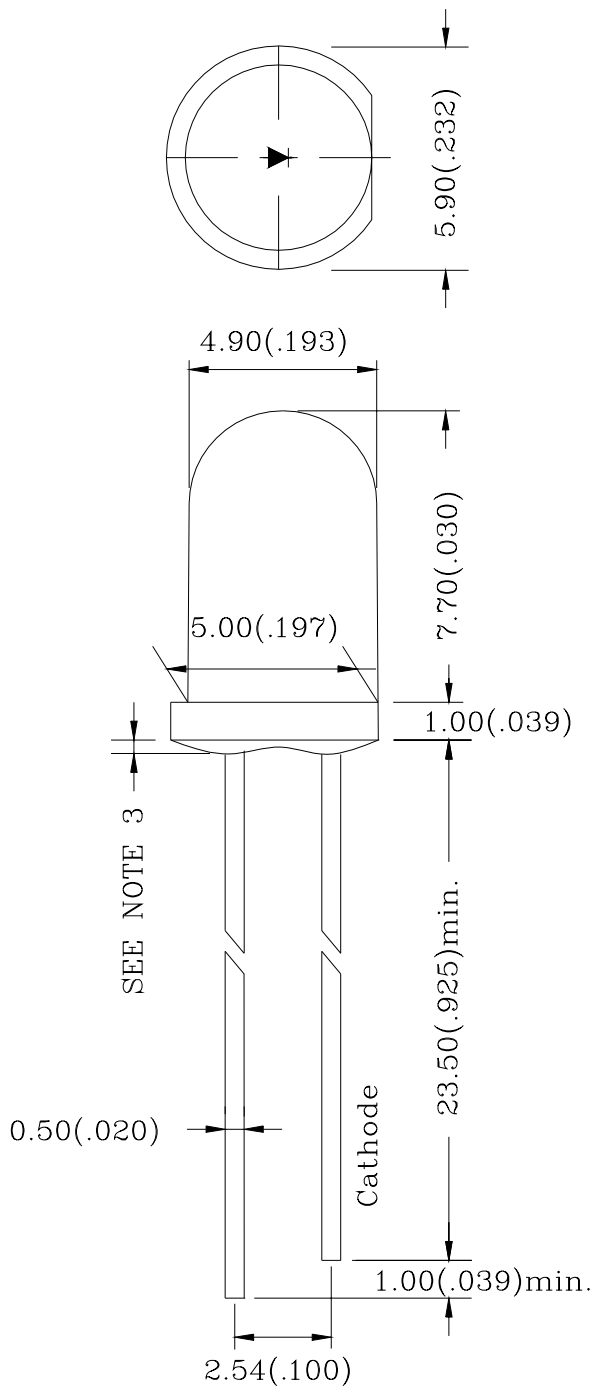


# 5.0 mm DIA LED LAMP

L-5T47UW5C-D2

REV:A / 1

## PACKAGE DIMENSIONS



### Note:

- 1.All Dimensions are in millimeters.
- 2.Tolerance is  $\pm 0.25\text{mm}$ (0.010 ")  
Unless otherwise specified.
- 3.Protruded resin under flange is 1.5mm(0.059 ") max.
- 4.Lead spacing is measured where the leads emerge from the package.
- 5.Specification are subject to change without notice
- 6.highlight <-500V the led can withstand the max static level when assembling or operation.

# 5.0 mm DIA LED LAMP

## L-5T47UW5C-D2

REV:A / 1

### FEATURES

- \* SUITABLE HIGH PULSE CURRENT OPERATION
- \* EXTRA HIGH RADIANT POWER AND RADIANT INTENSITY
- \* HIGH RELIABILITY
- \* LOW FORWARD VOLTAGE

### CHIP MATERIALS

- \* Dice Material : GaInN/GaN
- \* Light Color : ULTRA WHITE
- \* Lens Color : WATER CLEAR

### ABSOLUTE MAXIMUM RATING:(Ta=25°C)

SYMBOL	DESCRIPTION	ULTRA WHITE	UNIT
PAD	Power Dissipation Per Chip	120	mW
VR	Reverse Voltage Per Chip	5	V
IF	Average Forward Current Per Chip	30	mA
-	Derating Linear From 25°C Per Chip	0.4	mA/°C
Topr	Operating Temperature Range	-25°C to 85°C	
Tstg	Storage Temperature Range	-40°C to 85°C	
Lead Soldering Temperature { 1.6mm(0.063 inch) From Body } 260°C±5°C For 5 Seconds			

### ELECTRO-OPTICAL CHARACTERISTICS:(Ta=25°C)

SYMBOL	DESCRIPTION	TEST CONDITION	MIN.	TYP.	MAX.	UNIT
VF	Forward Voltage	IF = 20mA		3.5	4.0	V
IR	Reverse Current	VR = 5V			100	µA
2θ1/2	Half Intensity Angle	IF = 20mA		25		deg
Iv	Luminous Intensity	IF = 20mA	-	4000	-	mcd
X	Chromaticity	IF = 20mA		0.29		
Y	Coordinates	IF = 20mA		0.30		

# 5.0 mm DIA LED LAMP

## L-5T47UW5C-D2

REV:A / 1

