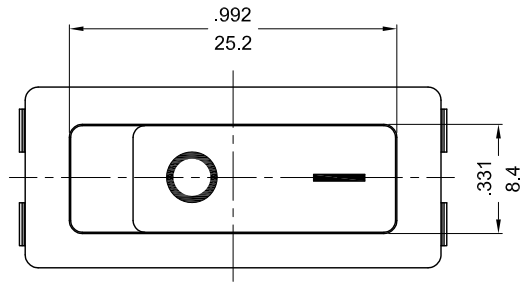
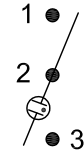


# 嘉尼企業股份有限公司 CANAL ELECTRONIC CO.,LTD.



Pole on/off illuminated



SPST

## ROCKER SWITCH MODEL: RH SERIES

RATING: 16A 125/250VAC (UL/CUL)

20A 125VAC (UL/CUL)

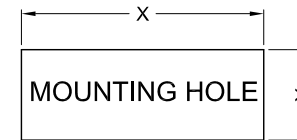
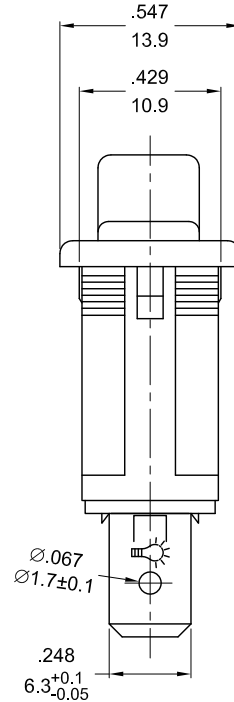
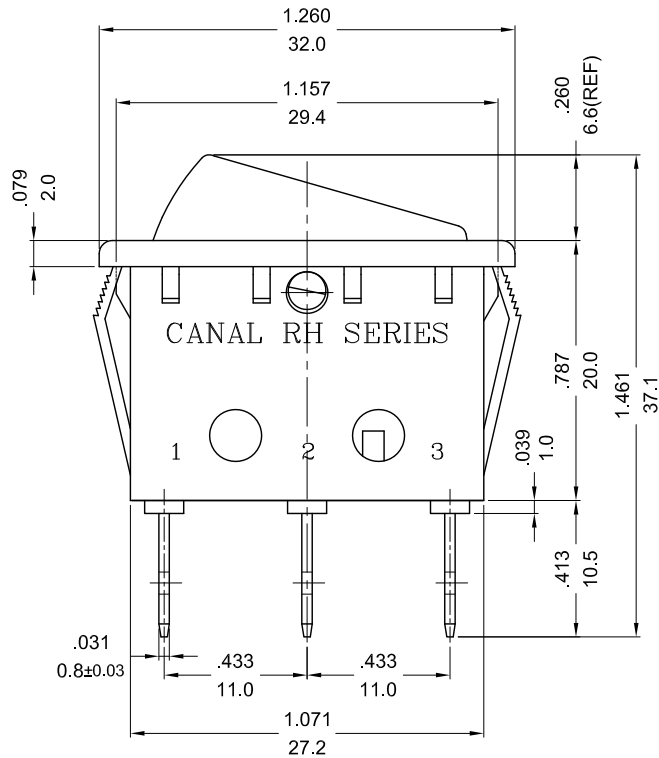
16(4)A 250V~ T125/55 (VDE/ENEC/CQC)

DIELECTRIC WITHSTAND VOLTAGE: 1000VAC 1 MIN

INSULATION RESISTANCE: 500VDC 100MΩ (MIN)

CONTACT RESISTANCE: 20mΩ INITIAL (MAX)

ILLUMINATION: 100~125VAC



Dim.X	Dim.Y	Z=panel thickness
30.0 <sup>+0.1</sup> <sub>-0</sub> mm	11.0 <sup>+0.1</sup> <sub>-0</sub> mm	0.75 to 1.25mm
30.2 <sup>+0.1</sup> <sub>-0</sub> mm	11.0 <sup>+0.1</sup> <sub>-0</sub> mm	1.25 to 2mm
30.5 <sup>+0.1</sup> <sub>-0</sub> mm	11.0 <sup>+0.1</sup> <sub>-0</sub> mm	2 to 3mm

NOTE: TOLERANCES UNLESS OTHERWISE SPECIFIED: ±.012/0.3 (in/mm)

REVISION	DESCRIPTION	REVISED BY	TOLERANCES		ANGLE $\frac{1}{2}$		UNIT	mm	PART NAME	RH SPEC DRAWING	DWG NO
			DRAWN BY	DESIGNED BY	SCALE						
△2011.03.29	整理圖面，重新出圖	謝平凡	DRAWN BY	謝平凡	DESIGNED BY	蔡劍	SCALE	5/3	PART NO	RH110-F5L-**-*	S1302E
△2010.04.29	更換圖框重新出圖	王發兵	CHECKED BY		APPROVED BY		DATE	2006.03.26			
△2009.05.26	修正電路圖，重新出圖	劉義正									
△2012.08.10	依臺北要求，增加燈的適用電壓	謝平凡									