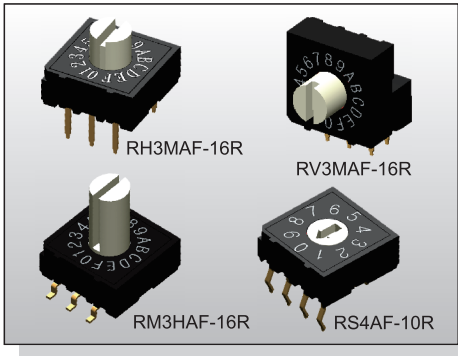


ROTARY CODED SWITCH R(H)(V)(M)(S) SERIES

10x10mm
Rotary Type



FEATURES

- Vertical and right angel type
- Flush & raised actuator
- BCD; Hexadecimal

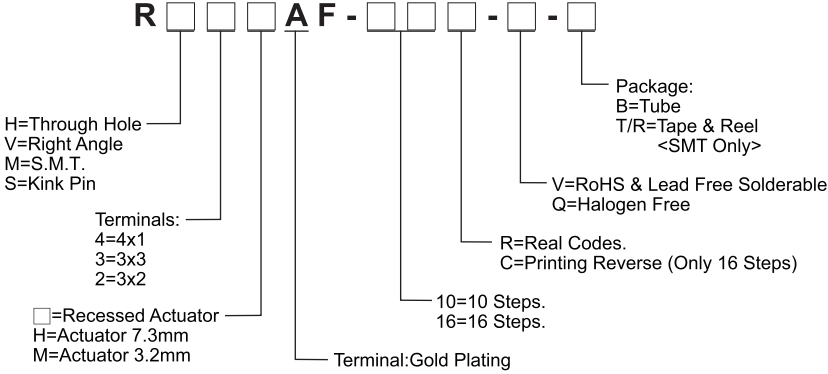
APPLICATION

- Building & home automation
- White goods
- Electronic instrument

SPECIFICATION

| | |
|-----------------------|--------------------|
| Contact Rating | 25mA, 24V DC |
| Contact Resistance | 100mΩ max. |
| Insulation Resistance | 100MΩ min. 250V DC |
| Dielectric Strength | 250V AC/1 minute |
| Operating Force | 400gf-cm max. |
| Operating Life | 20,000 Steps |
| Operating Temp. | -25°C ~ +80°C |
| Storage Temp. | -40°C ~ +85°C |

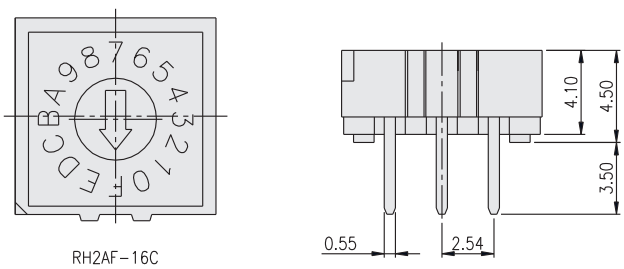
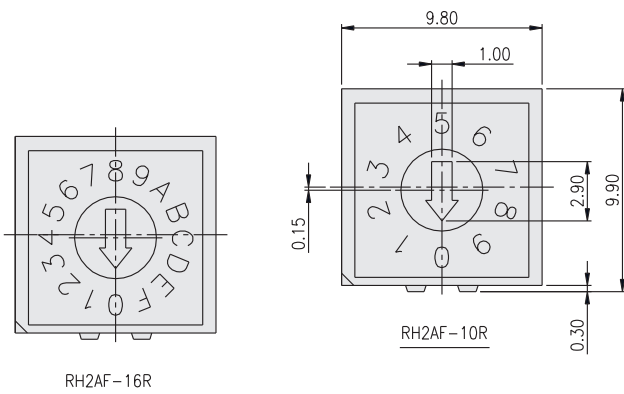
HOW TO ORDER



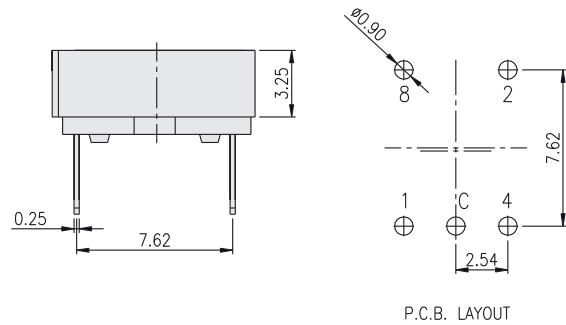
PACKAGE

- <Tube>
48 pcs
- <Tape & Reel>
750 pcs/reel (recessed actuator)
500 pcs/reel (3.2mm actuator)
250 pcs/reel (7.3mm actuator)

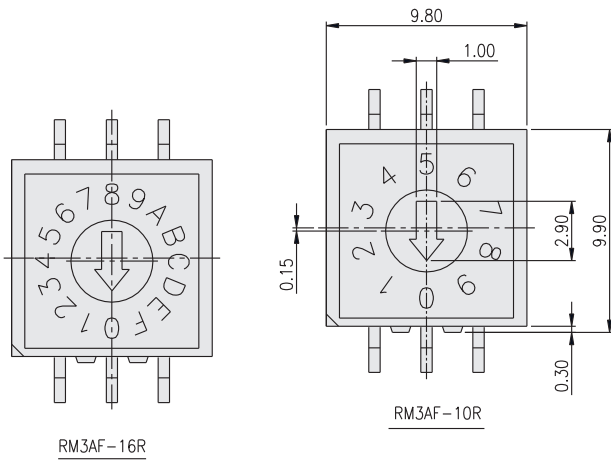
RH2



| TYPE | POSITION | CODE | | | | |
|-------|----------|------|---|---|---|---|
| | | 16C | 1 | 2 | 4 | 8 |
| 10R | 0 | F | ● | ● | ● | ● |
| | 1 | E | ○ | ○ | ● | ● |
| | 2 | D | ● | ○ | ○ | ● |
| | 3 | C | ○ | ○ | ● | ● |
| | 4 | B | ○ | ● | ○ | ● |
| | 5 | A | ○ | ○ | ○ | ● |
| | 6 | 9 | ● | ○ | ○ | ● |
| | 7 | 8 | ○ | ○ | ○ | ● |
| | 8 | 7 | ● | ● | ● | ○ |
| | 9 | 6 | ○ | ○ | ○ | ○ |
| 16R,C | A | 5 | ● | ○ | ○ | ○ |
| | B | 4 | ○ | ○ | ● | ○ |
| | C | 3 | ● | ● | ○ | ○ |
| | D | 2 | ○ | ○ | ○ | ○ |
| | E | 1 | ● | ○ | ○ | ○ |
| | F | 0 | ○ | ○ | ○ | ○ |

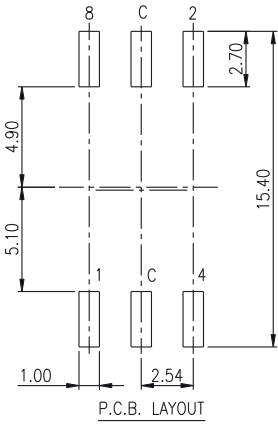
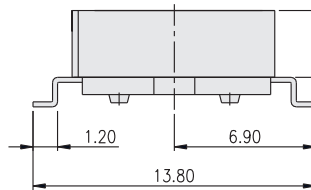
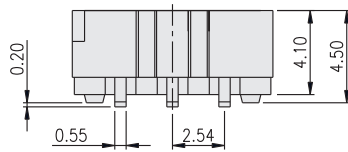
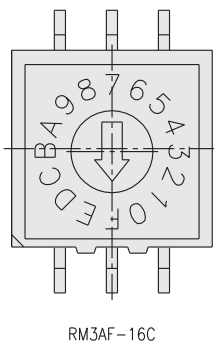


RM3

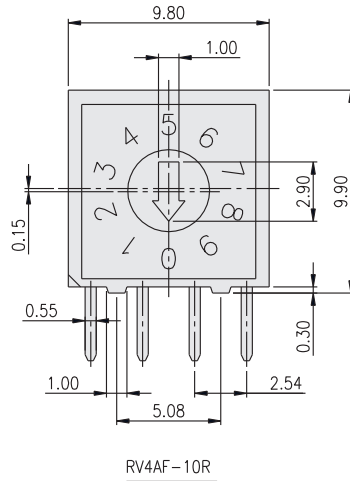
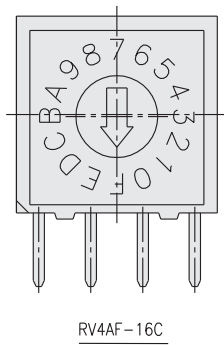
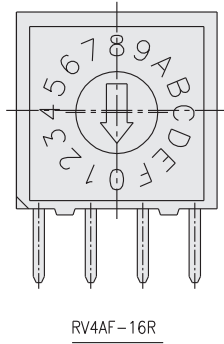


○ ON
 ● OFF

| TYPE | POSITION | | CODE | | | |
|-------|----------|-----|------|---|---|---|
| | 0R | 16C | 1 | 2 | 4 | 8 |
| 10R | 0 | F | ● | ● | ● | ● |
| | 1 | E | ○ | ● | ● | ● |
| | 2 | D | ● | ○ | ● | ● |
| | 3 | C | ○ | ○ | ● | ● |
| | 4 | B | ● | ● | ○ | ● |
| | 5 | A | ○ | ● | ○ | ● |
| | 6 | 9 | ● | ○ | ○ | ● |
| | 7 | 8 | ○ | ○ | ○ | ● |
| | 8 | 7 | ● | ● | ● | ○ |
| | 9 | 6 | ○ | ○ | ● | ○ |
| 16R,C | A | 5 | ● | ○ | ○ | ○ |
| | B | 4 | ○ | ○ | ● | ○ |
| | C | 3 | ● | ● | ○ | ○ |
| | D | 2 | ○ | ○ | ○ | ○ |
| | E | 1 | ● | ○ | ○ | ○ |
| | F | 0 | ○ | ○ | ○ | ○ |

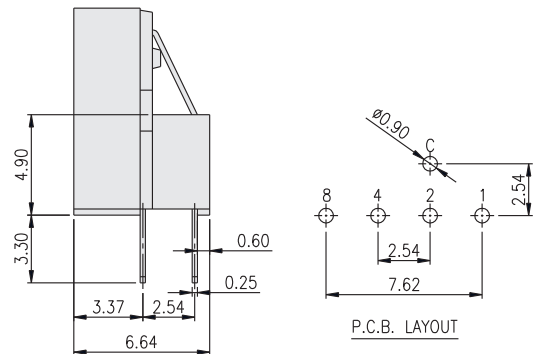


RV4



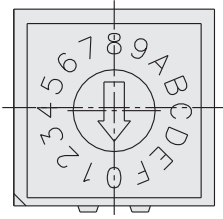
○ ON
 ● OFF

| TYPE | POSITION | | CODE | | | |
|-------|----------|-----|------|---|---|---|
| | 0R | 16C | 1 | 2 | 4 | 8 |
| 10R | 0 | F | ● | ● | ● | ● |
| | 1 | E | ○ | ● | ● | ● |
| | 2 | D | ● | ○ | ● | ● |
| | 3 | C | ○ | ○ | ● | ● |
| | 4 | B | ● | ● | ○ | ● |
| | 5 | A | ○ | ● | ○ | ● |
| | 6 | 9 | ● | ○ | ○ | ● |
| | 7 | 8 | ○ | ○ | ○ | ● |
| | 8 | 7 | ● | ● | ● | ○ |
| | 9 | 6 | ○ | ○ | ● | ○ |
| 16R,C | A | 5 | ● | ○ | ○ | ○ |
| | B | 4 | ○ | ○ | ● | ○ |
| | C | 3 | ● | ● | ○ | ○ |
| | D | 2 | ○ | ○ | ○ | ○ |
| | E | 1 | ● | ○ | ○ | ○ |
| | F | 0 | ○ | ○ | ○ | ○ |

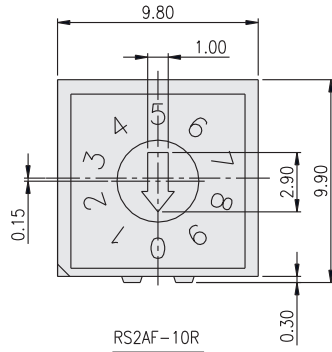


ROTARY CODED SWITCH

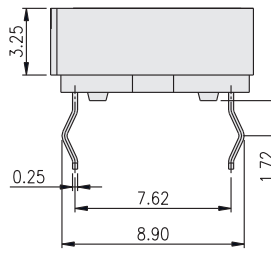
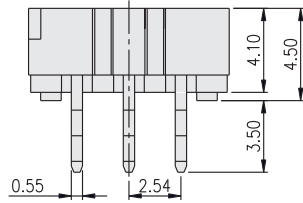
RS2



RS2AF-16R

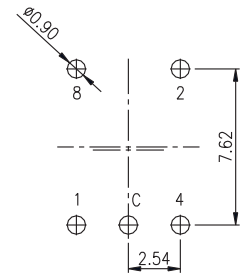


RS2AF-10R



○ ON
 ● OFF

| TYPE | POSITION | CODE | | | |
|------|----------|------|---|---|---|
| | | 1 | 2 | 4 | 8 |
| 10R | 0 | ● | ● | ● | ● |
| | 1 | ○ | ● | ● | ● |
| | 2 | ● | ○ | ● | ● |
| | 3 | ○ | ○ | ● | ● |
| | 4 | ● | ● | ○ | ● |
| | 5 | ○ | ● | ○ | ● |
| | 6 | ● | ○ | ○ | ● |
| | 7 | ○ | ○ | ○ | ● |
| | 8 | ● | ● | ● | ○ |
| | 9 | ○ | ● | ● | ○ |
| 16R | A | ○ | ○ | ● | ○ |
| | B | ○ | ○ | ● | ○ |
| | C | ● | ● | ○ | ○ |
| | D | ○ | ● | ○ | ○ |
| | E | ● | ○ | ○ | ○ |
| | F | ○ | ○ | ○ | ○ |



P.C.B. LAYOUT