

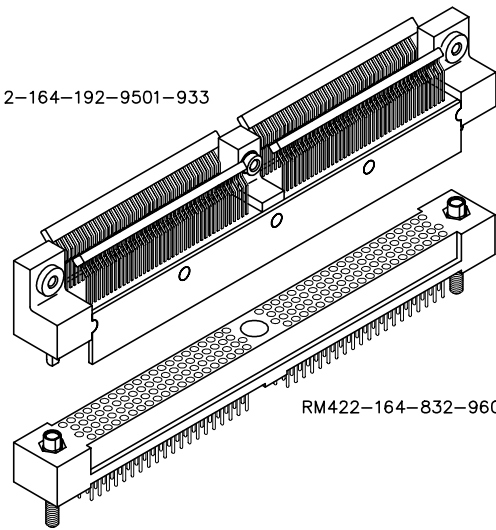
RM412-164-192-9501-933

# 4 • ROW Daughterboard to Motherboard or Chassis

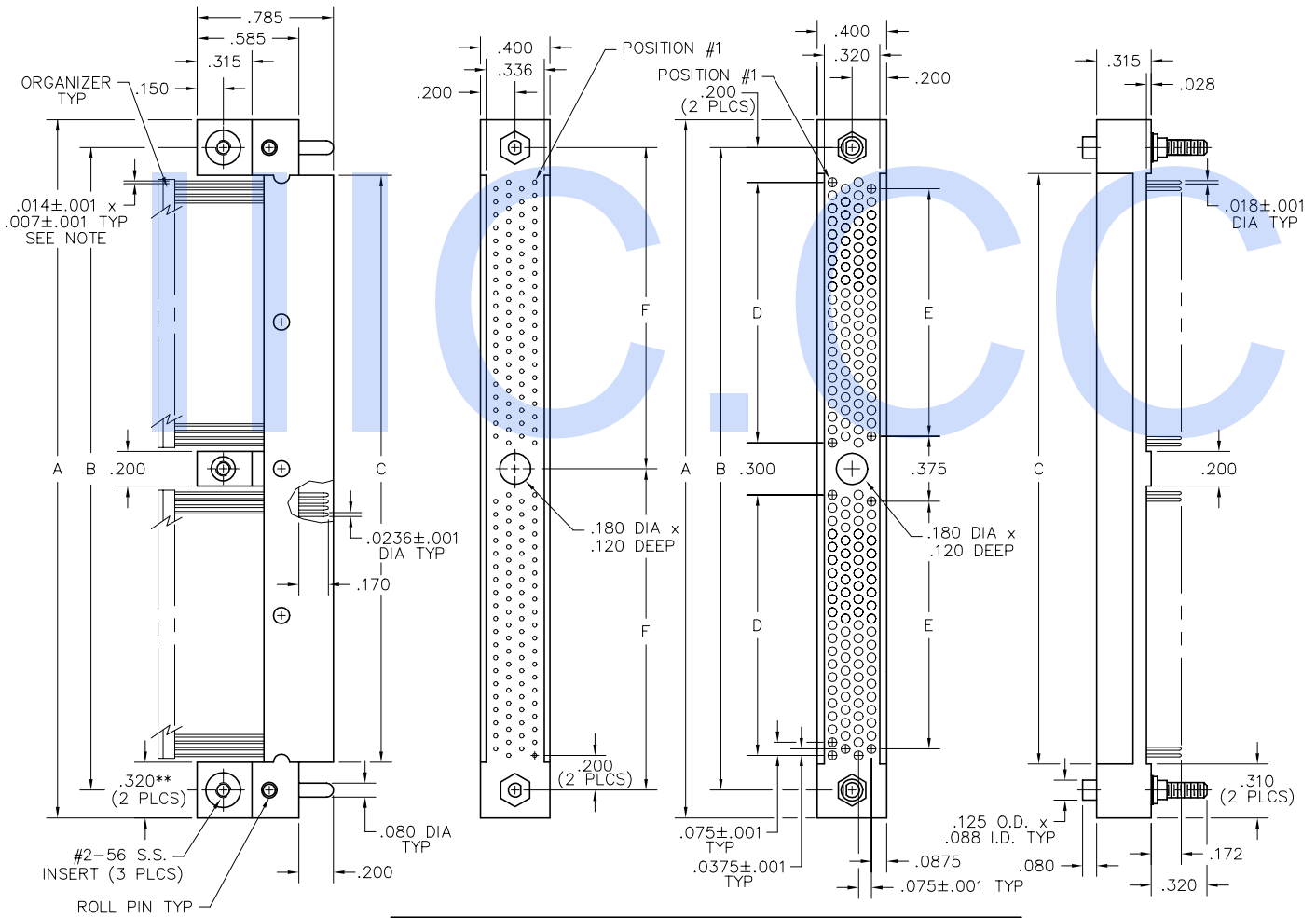
.075"

**RM4**

86 thru 404 Contacts



RM422-164-832-9601



PLUG

RECEPTACLE

SIZE	A		B		C		D	E	F
	PLUG	RCPT	PLUG	RCPT	PLUG	RCPT			
86*	2.295	1.975	1.655	1.675	1.575	1.500	-		
110*	2.745	2.425	2.105	2.125	2.025	1.950	-		
164	4.020	3.700	3.380	3.400	1.500	1.425	1.850		
196	4.620	4.300	3.980	4.000	1.800	1.725	2.150		
204	4.770	4.450	4.130	4.150	1.875	1.800	2.225		
220	5.070	4.750	4.430	4.450	2.025	1.950	2.375		
250*	5.370	5.050	4.730	4.750	4.650	4.575	-		
276	6.120	5.800	5.480	5.500	2.550	2.475	2.900		
300	6.570	6.250	5.930	5.950	2.775	2.700	3.125		
404	8.520	8.200	7.880	7.900	3.750	3.675	4.100		

NOTE:  
Refer to SMT Configuration Chart  
(R-56) for available options.

**PLUG:** RM412-164-192-9501-933  
**RECEPTACLE:** RM422-164-832-9601  
 XXXXX-XXX-XXX-XXXX-XXX

**PLUG**

**RECEPTACLE**

**SERIES**

RM .075" Screw Machine PC Connector | RM .075" Screw Machine PC Connector

**BODY**

4	4-Row	4	4-Row
<b>BODY STYLE:</b>		<b>BODY STYLE:</b>	
1	Plug, straight, with mounting ears	2	Receptacle, straight, without mounting ears
<b>BODY MATERIAL:</b>		<b>BODY MATERIAL:</b>	
2	Polyphenylene sulfide (PPS)	2	Polyphenylene sulfide (PPS)

**SIZE**

086, 110, 164, 196, 204, 220, 250, 276, 300, 404 | 086, 110, 164, 196, 204, 220, 250, 276, 300, 404

**CONTACTS**

<b>TYPE CONTACTS/TERMINATIONS:</b>		<b>TYPE CONTACTS/TERMINATIONS:</b>	
19	Pin, SMT, .014" x .007" tail	75	Socket, straight, dip solder, .250" x .018" dia
		76	Socket, straight, solder cup
		77	Socket, straight, flex, .093" x .017" dia
		78	Socket, straight, wire wrap®, .500" x .018" sq
		79	Socket, straight, wire wrap®, .375" x .018" sq
		81	Socket, straight, dip solder, .109" x .018" dia
		82	Socket, straight, dip solder, .140" x .018" dia
		83	Socket, straight, dip solder, .172" x .018" dia
		87	Socket, straight, press-fit, .188" (Board: .093" - .125" thk)
		88	Socket, straight, press-fit, .308" (Board: .156" - .200" thk)
		89	Socket, straight, press-fit, .388" (Board: .250"+ thk)

<b>PLATING OPTIONS:</b>		<b>PLATING OPTIONS:</b>	
2	Pre-tinned termination	1	Gold plated termination
		2	Pre-tinned termination (except solder cup, flex or wire wrap®)

**HARDWARE**

<b>STYLE OF HARDWARE:</b>		<b>STYLE OF HARDWARE:</b>	
0256	None	0256	None
90	Guide pins, full round, installed	91	Guide sockets, full round, installed
93	Fixed jackset, #4-40 thread	92	Hex turning jackset, #4-40 thread
95	Guide pins, polarized, unassembled	93	Fixed jackset, #4-40 thread
9501 - 9536	Guide pins, installed	96	Guide sockets, polarized, unassembled, #2-56 x .320" thread
99	Guide pins, universal	9601 - 9636	Guide sockets, polarized, installed
		97	Guide sockets, polarized, unassembled, #2-56 x .247" thread
		9701 - 9736	Guide sockets, polarized, installed
		98	Guide sockets, universal, #2-56 x .247" thread

<b>POLARIZATION:</b>		<b>POLARIZATION</b>	
00	None	00	None
01	thru 36 are special identifiers, see page R-57	01	thru 36 are special identifiers, see page R-57

**OPTIONS**

9XX SMT configuration code, see page R-56

# 4 ROW

## Straight SMT Plug

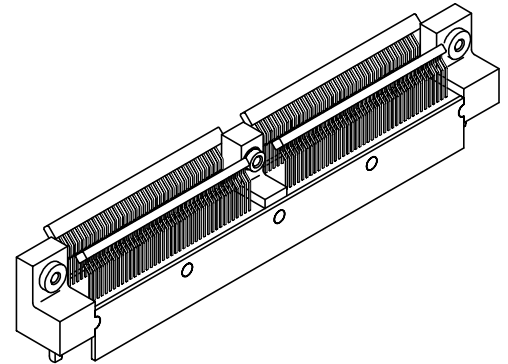
.075"

**RM4**

86 thru 404 Contacts

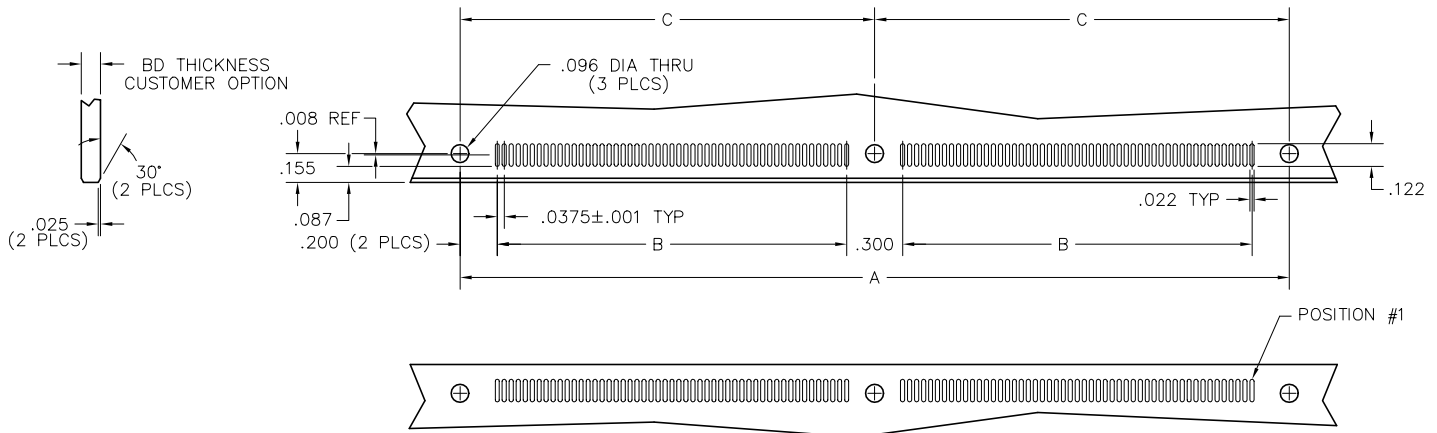
Recommended Board Layout

DIMENSIONS			
SIZE	A	B	C
86*	1.975	1.575	-
110*	2.425	2.025	-
164	3.700	1.500	1.850
196	4.300	1.800	2.150
204	4.450	1.875	2.225
220	4.750	2.025	2.375
250*	5.050	4.650	-
276	5.800	2.550	2.475
300	6.250	2.775	3.125
404	8.200	3.750	4.100



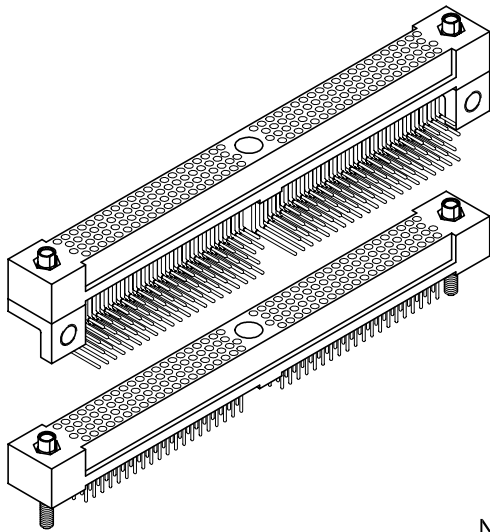
**NOTES:**

\* = Single section, no center mounting hole



**SURFACE MOUNT PLUG**

SIZE	CONTACT ID	SIZE	CONTACT ID
86*	C 65 C 86 C 22 C 43 C 21 C 42 C 20 C 63	220	C 166 C 220 C 165 C 219 C 164 C 141 C 195 C 140 C 194 C 139 C 138 C 193 C 137 C 192 C 136 C 113 C 168 C 112 C 167 C 111
110*	C 83 C 110 C 82 C 27 C 54 C 81 C 58 C 30 C 85 C 2 C 57 C 29 C 84 C 1 C 56	250*	C 187 C 250 C 186 C 61 C 243 C 60 C 188 C 173 C 189 C 64 C 2 C 172 C 63 C 1 C 188 C 126
164	C 124 C 82 C 164 C 41 C 123 C 97 C 195 C 81 C 163 C 40 C 122 C 24 C 104 C 64 C 146 C 23 C 105 C 63 C 145 C 22 C 104 C 21 C 103 C 62 C 144 C 20 C 102 C 61 C 143 C 19 C 101 C 3 C 85 C 44 C 126 C 2 C 84 C 43 C 125 C 1 C 83	276	C 208 C 276 C 138 C 276 C 69 C 207 C 137 C 275 C 68 C 206 C 70 C 208 C 38 C 176 C 106 C 244 C 37 C 175 C 105 C 243 C 36 C 174 C 35 C 173 C 104 C 242 C 34 C 172 C 103 C 241 C 33 C 171 C 3 C 141 C 72 C 210 C 2 C 140 C 71 C 209 C 1 C 139
196	C 148 C 98 C 196 C 49 C 153 C 51 C 153 C 101 C 203 C 50 C 152 C 28 C 126 C 76 C 174 C 27 C 130 C 28 C 130 C 78 C 180 C 27 C 129 C 25 C 123 C 74 C 172 C 24 C 122 C 73 C 171 C 23 C 121 C 3 C 101 C 52 C 150 C 2 C 100 C 51 C 149 C 1 C 99	300	C 226 C 300 C 225 C 299 C 149 C 299 C 74 C 224 C 41 C 191 C 115 C 285 C 40 C 190 C 114 C 284 C 39 C 189 C 38 C 188 C 113 C 283 C 37 C 187 C 112 C 282 C 36 C 186 C 3 C 153 C 78 C 228 C 2 C 152 C 77 C 227 C 1 C 151
204	C 154 C 204 C 102 C 153 C 51 C 153 C 101 C 203 C 50 C 152 C 29 C 131 C 79 C 181 C 27 C 130 C 28 C 130 C 78 C 180 C 27 C 129 C 26 C 128 C 77 C 179 C 25 C 127 C 76 C 178 C 24 C 126 C 3 C 105 C 54 C 156 C 2 C 104 C 53 C 155 C 1 C 103	404	C 404 C 403 C 300 C 402 C 75 C 225 C 199 C 401 C 198 C 400 C 106 C 308 C 105 C 307 C 104 C 306 C 103 C 305 C 102 C 304 C 101 C 303 C 100 C 302 C 99 C 301 C 98 C 300 C 97 C 299 C 5 C 207 C 4 C 206 C 3 C 205 C 2 C 204 C 1 C 203



DIMENSIONS			
SIZE	A	B	C
86*	1.975	1.575	1.500
110*	2.425	2.025	1.950
164	3.700	1.500	1.425
196	4.300	1.800	1.725
204	4.450	1.875	1.800
220	4.750	2.025	1.950
250*	5.050	4.650	4.575
276	5.800	2.550	2.475
300	6.250	2.775	2.700
404	8.200	3.750	3.675

# 4 • ROW

## Right Angle PTH Rcpt

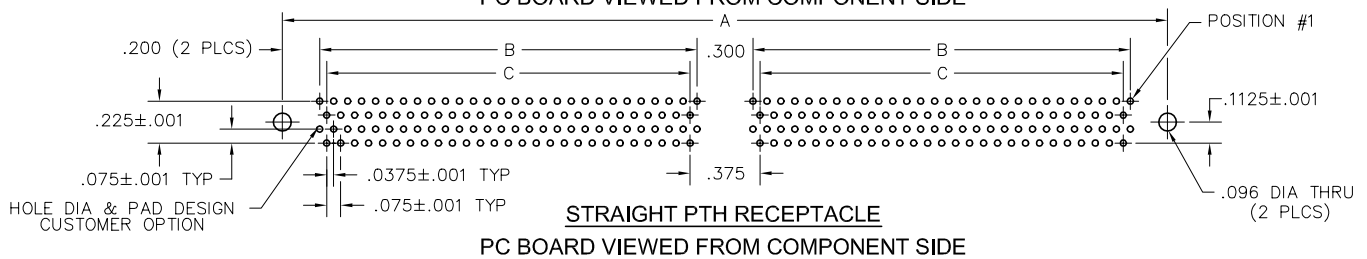
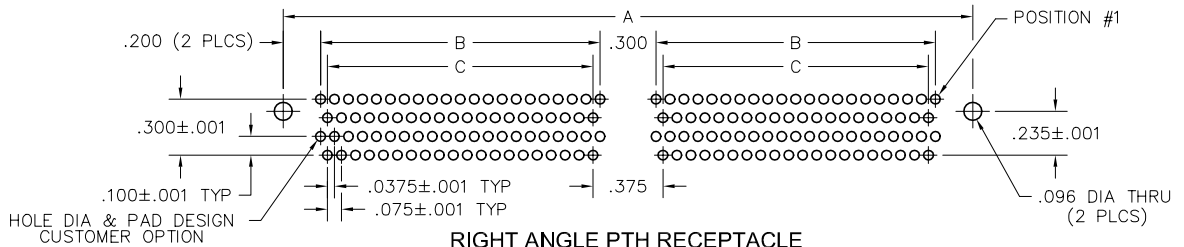
## Straight PTH Rcpt

.075"

**RM4**

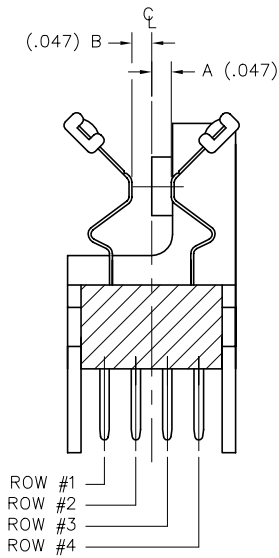
86 thru 404 Contacts  
Recommended  
Board Layout

NOTES:  
\* = Single section, no center mounting hole

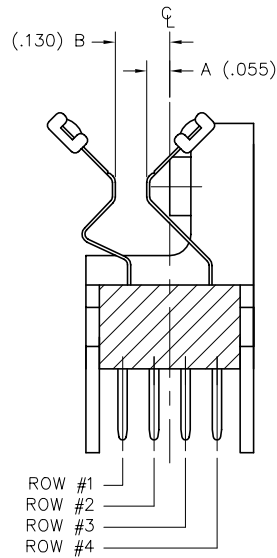


SIZE	CONTACT ID				SIZE	CONTACT ID													
86*	22	21	20	3	2	1	220	56	55	54	31	30	29	28	27	26	3	2	1
	43	42	41	25	24	23		110	109	108	86	85	84	83	82	81	59	58	57
110*	65	64	63	46	45	44	250*	166	165	164	141	140	139	138	137	136	113	112	111
	86	85	84	68	67	66		220	219	218	196	195	194	193	192	191	169	168	167
164	42	41	40	24	23	22	276	70	69	68	38	37	36	35	34	33	3	2	1
	82	81	80	65	64	63		138	137	136	107	106	105	104	103	102	73	72	71
196	124	123	122	106	105	104	300	208	207	206	176	175	174	173	172	171	141	140	139
	164	163	162	147	146	145		276	275	274	245	244	243	242	241	240	211	210	209
204	50	49	48	28	27	26	404	76	75	74	41	40	39	38	37	36	3	2	1
	98	97	96	77	76	75		150	149	148	116	115	114	113	112	111	79	78	77
220	148	147	146	126	125	124	276	226	225	224	191	190	189	188	187	186	153	152	151
	196	195	194	175	174	173		300	299	298	266	265	264	263	262	261	229	228	227
250*	52	51	50	29	28	27	276	202	200	198	106	104	102	101	99	97	5	3	1
	102	101	100	80	79	78		201	199	197	107	105	103	100	98	96	6	4	2
276	154	153	152	131	130	129	300	404	402	400	308	306	304	303	301	299	207	205	203
	204	203	202	182	181	180		403	401	399	309	307	305	302	300	298	208	206	204

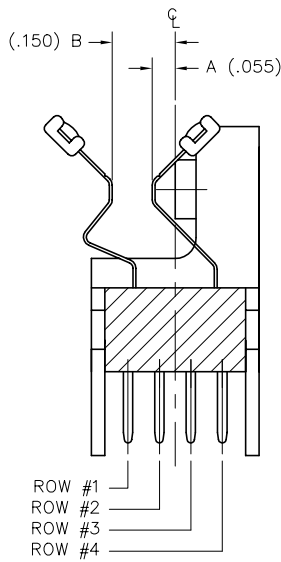
# SMT Configuration Options



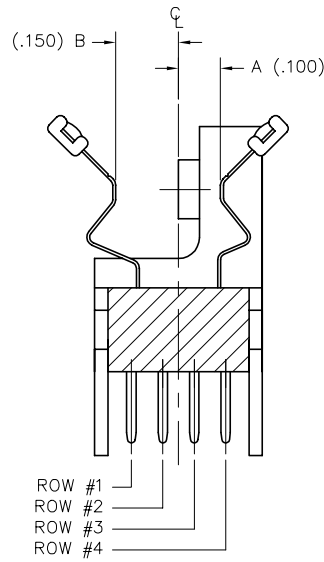
STYLE 933



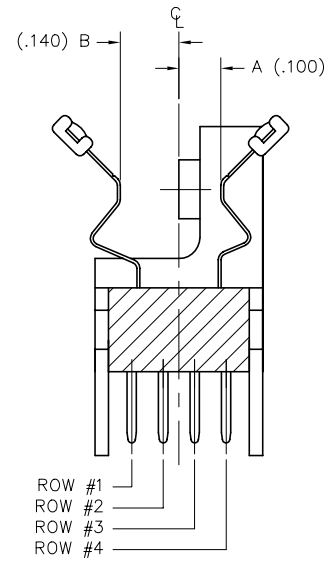
STYLE 925



STYLE 927



STYLE 947



STYLE 946

<u>DISTANCE FROM C (A)</u>	<u>DISTANCE FROM C (A OR B)</u>
1 .005	3 .047
2 .055	4 .100
	5 .130
	6 .140
	7 .150
	8 .070
	9 .080
	0 .090

**NOTES:**

1. Various board thicknesses can be accommodated by specifying A and B designators.  
For example: 9 (A)(B)
2. Consult factory for other available options.