

Two Electrode 4532 Surface Mount Gas Tube Arrester

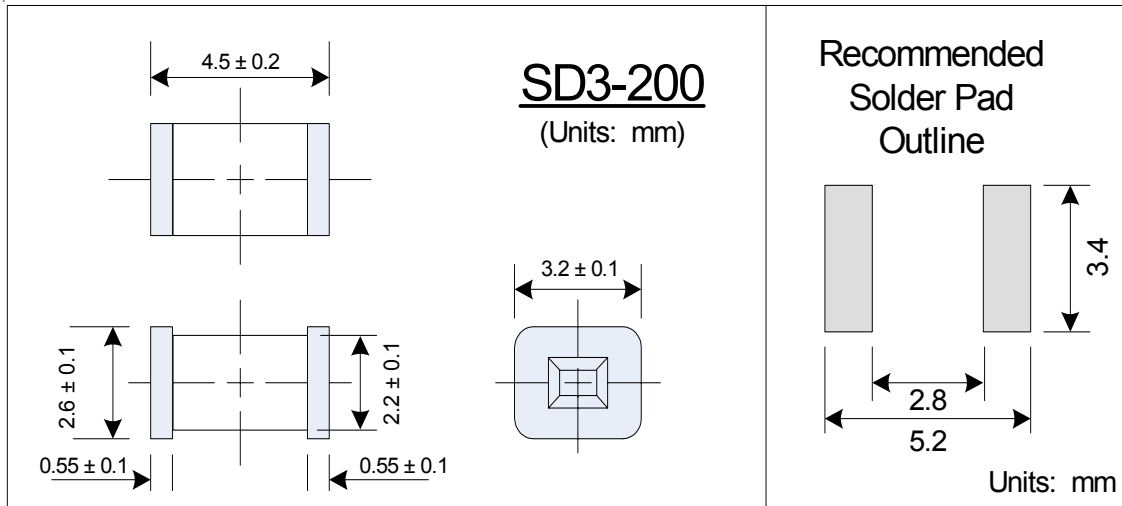


Part No.: **SD3-200**



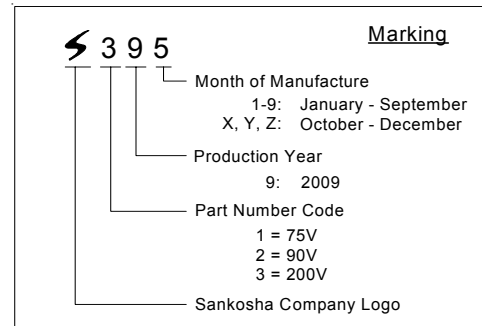
Surface Mount
Low Capacitance
UL497B Recognized

4.5 x 2.6 mm (4532) Footprint
ISO Certified
UL File E140906



Applications:

Transient Voltage Surge Suppression
Cable Telephony Products
Modems/Cable Modems
Broadband/CATV/Coaxial Protectors
xDSL Modems and Peripherals
Building Entry/Outside Plant



Electrical Characteristics

1.	DC Breakdown Voltage	100 V/ sec	200V \pm 20%		
2.	Impulse Breakdown Voltage	100 V/ μ sec 1 kV/ μ sec	< 500V < 700V		
3.	Insulation Resistance	DC 100V	> 10,000 M-ohm		
4.	Capacitance	1 MHz	< 0.5 pF		
5.	DC Holdover Voltage	See Note	< 135V	Note: Measured in accordance with ITU-T K.12.	
6.	Impulse Life	8/20 μ sec	100A	> 1000 times	
7.	Impulse Discharge Current	8/20 μ sec	2 kA		

After Life Tests

8.	DC Breakdown Voltage	100 V/ sec	200 \pm 30%		
9.	Impulse Breakdown Voltage	100 V/ μ sec 1 kV/ μ sec	< 600V < 800V		
10.	Insulation Resistance	DC 100V	> 100 M-ohm		

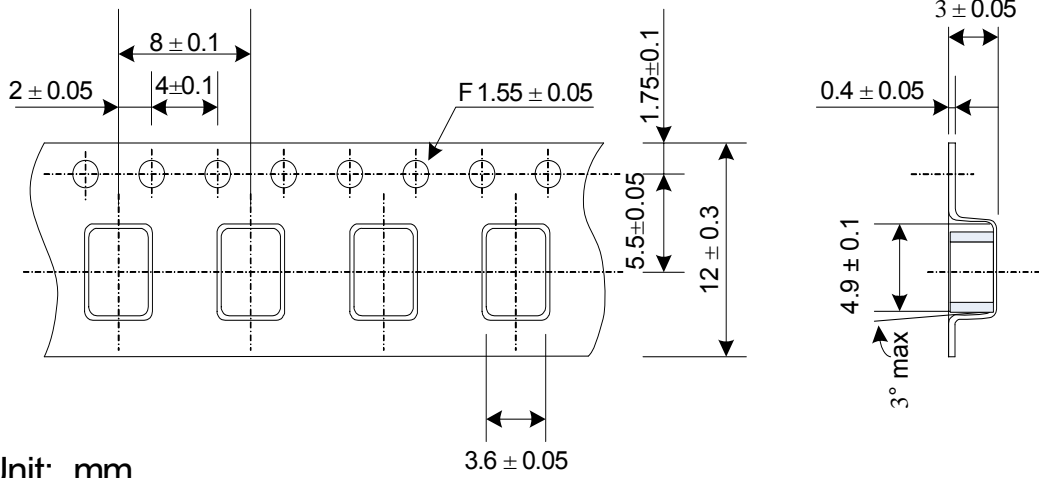
SANKOSHA

SANKOSHA

SD3 Series Tape Dimensions

Standard Quantity: 2,500 pcs.

(EIA Standard Compliant)

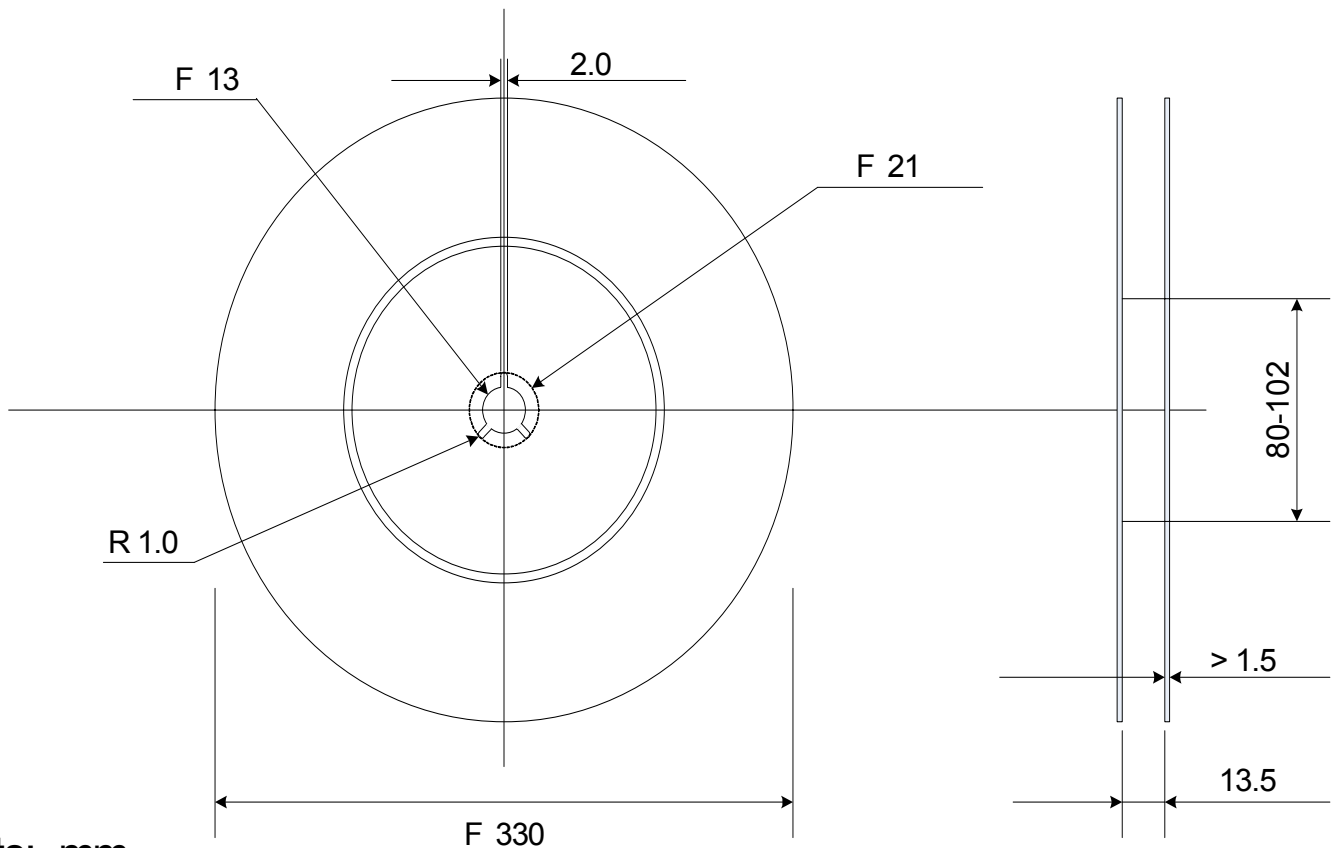


Unit: mm

SD3 Series – Reel Dimensions

2,500 pcs. per reel

Sankosha U.S.A., Inc.
www.sankosha-usa.com
(888) 711-2436



Units: mm