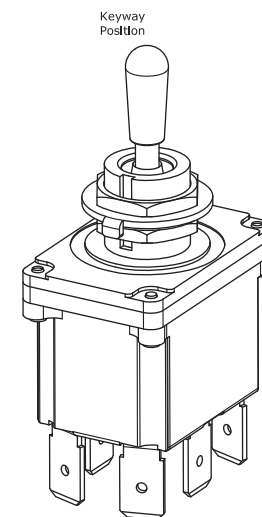
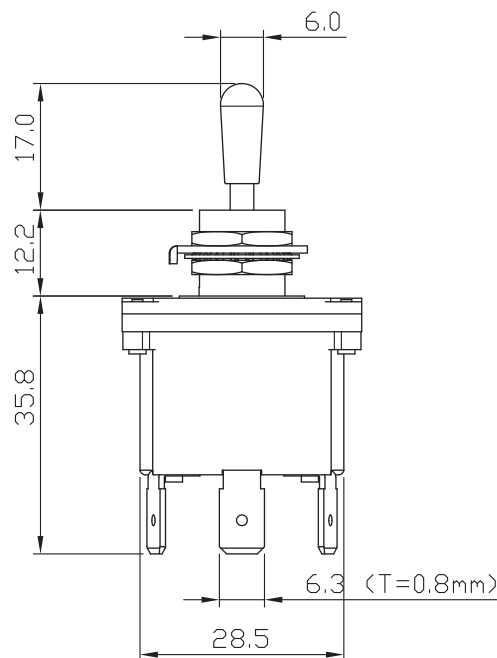
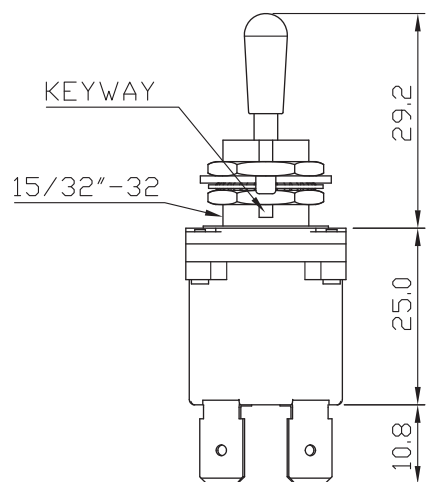
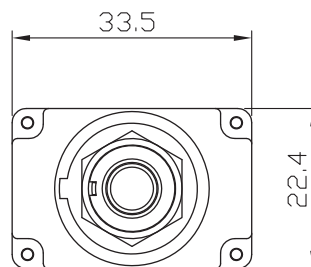
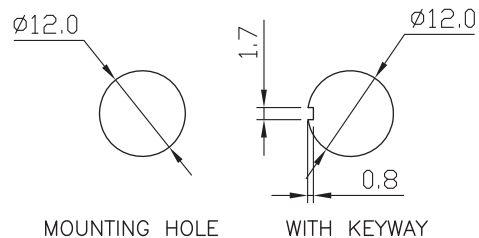


Specification :

Contact resistance: 20mΩ max. (initial)  
 Insulation resistance: 100MΩ min. (at 500V DC)  
 Dielectric strength: 1,500V AC 50/60 Hz for 1 minute  
 Service life: Mechanically: 100,000 operations min.  
 Electrically: 30,000 operations min.

Rating :12A 125V AC/10A 250V AC  
 ½HP 125VAC/1HP 250VAC/5A 125VAC "L"

Circuit: ON - OFF - ON



**APPROVED**

REVISION	DESCRIPTION	REVISED BY	TOLERANCES .X± .XX±		ANGLE ½'	⊕	UNIT	mm	PART NAME	DWG NO
△			DRAWN BY	Jelly	DESIGNED BY	蔡劍	SCALE		TB SPEC DRAWING	WS1655A
△			CHECKED BY		APPROVED BY		DATE	2011.9.23	TB3-B11	
△	2011.9.23 換新圖框, 重新出圖	Jelly								