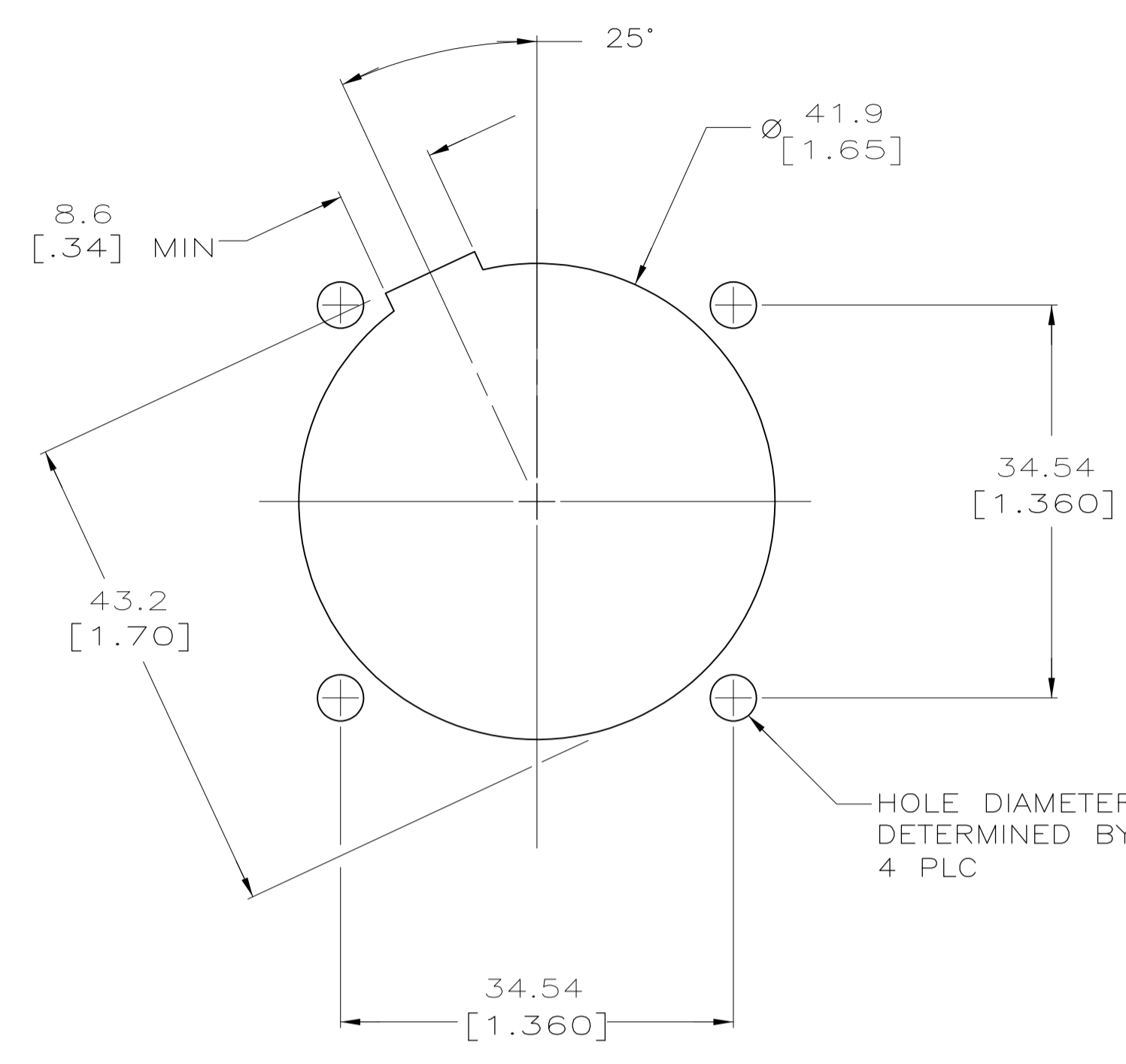
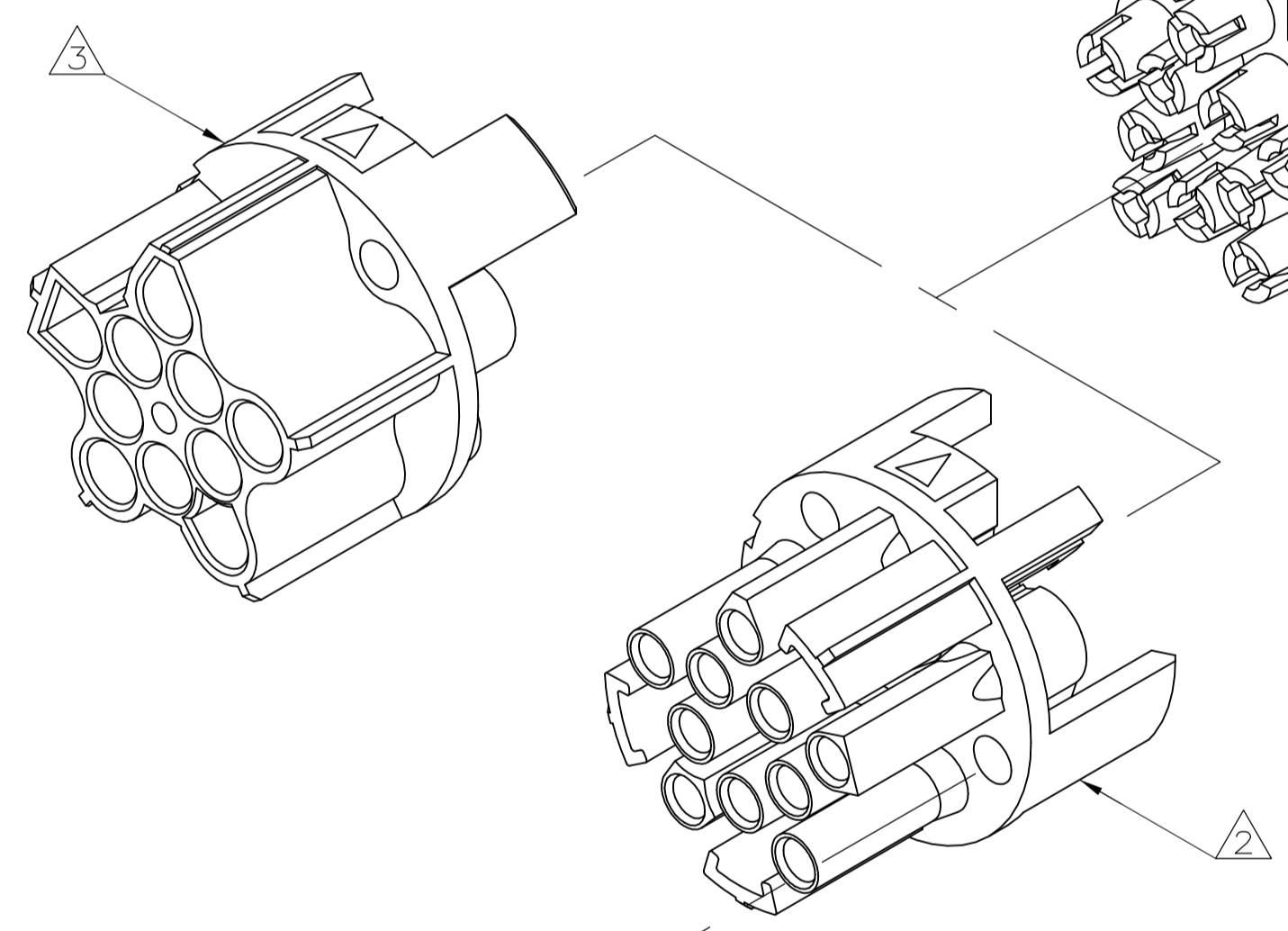
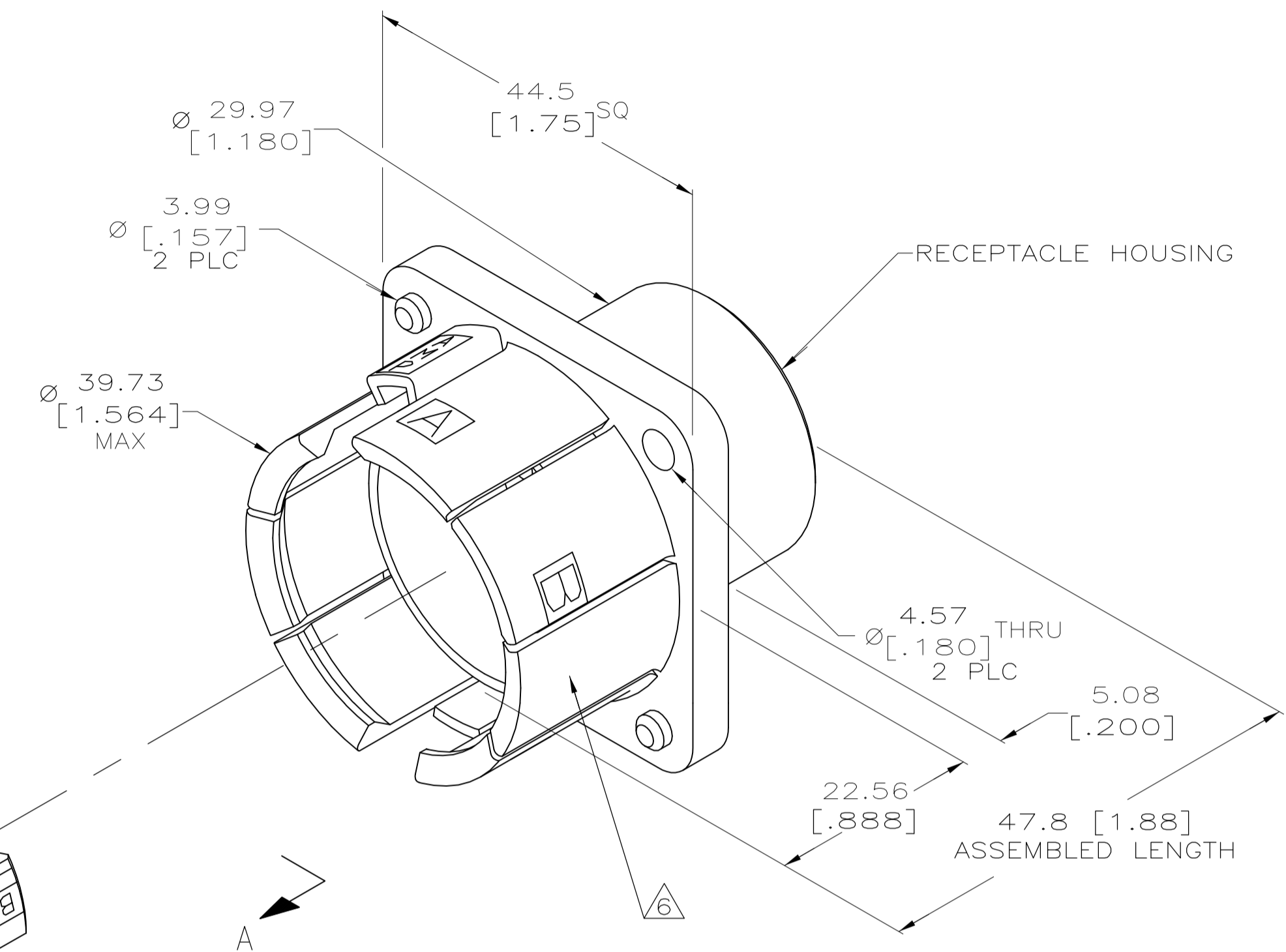


LOC		DIST		REVISIONS			
P	LTR	DESCRIPTION	DATE	DMN	APVD		
G		REVISED PER ECO-05-014437	30NOV05	KW	SR		
G1		REVISED PER ECO-09-022908	08OCT09	KK	AEG		

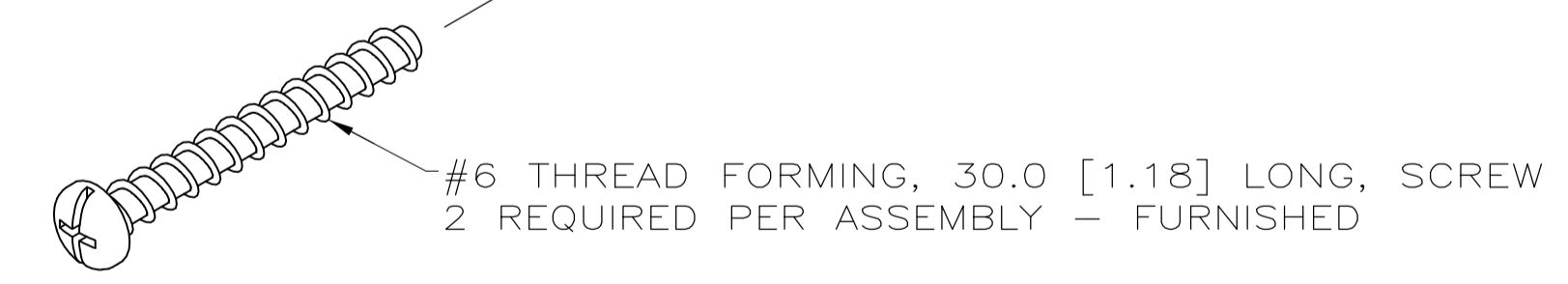


RECOMMENDED PANEL CUT-OUT

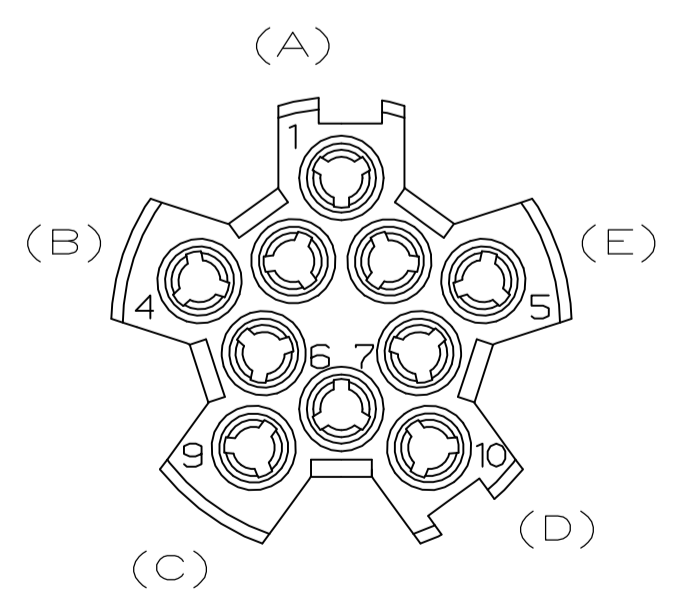
HOLE DIAMETERS TO BE DETERMINED BY CUSTOMER
4 PLC



CONTACT HOLDER, REAR
1 REQUIRED

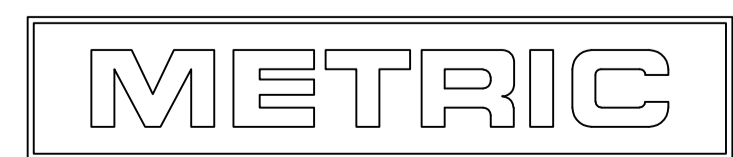


- ALL PARTS REQUIRED PER ASSEMBLY UNLESS OTHERWISE SPECIFIED
- CONTACT HOLDER FRONT, STYLE P, 1 REQUIRED
- CONTACT HOLDER FRONT, STYLE C, 1 REQUIRED
- MATERIAL: THERMOPLASTIC POLYESTER
- DIMENSIONS IN BRACKETS ARE IN INCHES.
- UNDERWRITERS RECOGNITION COMPONENT MARK AND CSA CERTIFICATION MARK LOCATED ONCE EACH IN INDICATED AREA.
- OBsolete PARTS: OBSOLETE CIS STREAMLINING PER D.RENAUD/D.SINISI



VIEW A-A

FINISH (SCREWS)	NOTES	PART NUMBER	
ZINC, BLACK PHOSPHATE	3	770281-6	
7 OBSOLETE	ZINC, BLACK PHOSPHATE	2	770281-5
7 SUPERSEDED	ZINC, BLACK CHROMATE	3	770281-2
ZINC, BLACK CHROMATE	2	770281-1	



THIS DRAWING IS A CONTROLLED DOCUMENT.

DIMENSIONS: mm [INCHES]	TOLERANCES UNLESS OTHERWISE SPECIFIED:	0 PLC ± -	1 PLC ± -	2 PLC ± 0.3 [.01]	3 PLC ± 0.13 [.005]	4 PLC ± -	ANGLES ± 0°30'
-------------------------	--	-----------	-----------	-------------------	---------------------	-----------	----------------

MATERIAL	FINISH	BLACK
----------	--------	-------

APVD	W. BATTY	2-19-94
CHK	R. SWING	2-19-94
DESIGNED BY	C. MARTIN	2-17-87

Tyco Electronics Corporation
Harrisburg, PA 17105-3608

NAME: RECEPTACLE ASSEMBLY, 10 CIRCUIT, MULTI-PIN CIRCULAR POWER CONNECTOR

SIZE: A1
CAGE CODE: 00779
DRAWING NO: 770281

CUSTOMER DRAWING
SCALE: 2:1
SHEET: 1 OF 1
REV: G1