

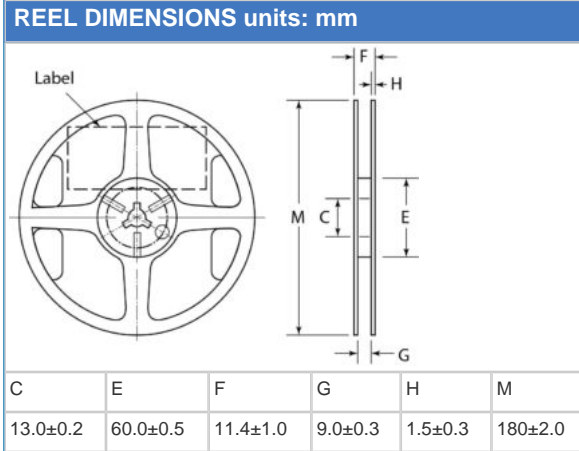
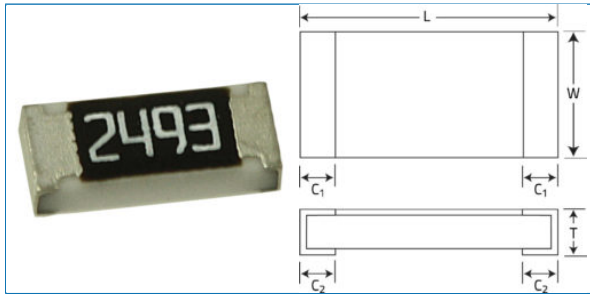
CR0201-20W-000T Datasheet

General Purpose Thick Film Resistors (CR Series)

Chip Resistor,0201,1/20W,0R

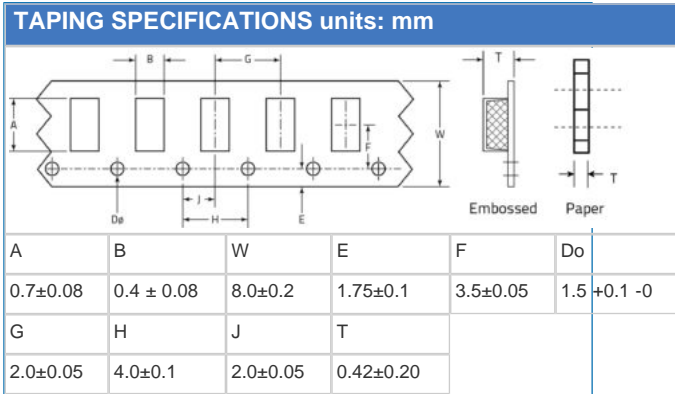


VENKEL LTD.



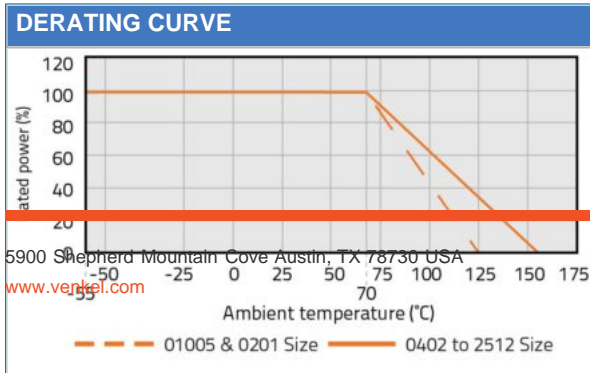
SIZE SPECIFICATIONS unit: inches

Length:	0.024 ± 0.002 (0.6 ± 0.05)
Width:	0.012 ± 0.001 (0.3 ± 0.02)
T(max):	0.010 ± 0.002 (0.25 ± 0.05)
C1:	0.0039 ± 0.002 (0.10 ± 0.05)
C2:	0.006 ± 0.002 (0.15 ± 0.05)
Size:	0201



COMPONENT SPECIFICATIONS

Category:	Resistors
Series:	General Purpose Thick Film Resistors (CR Series)
Size:	0201
Resistance:	0 ohm
Power Rating:	0.050W (1/20W)
Temperature Coefficient (TCR):	N/A
Maximum Voltage:	sqrt(PR) or 25V
Tolerance:	-
Termination:	N - 100% Matte Tin over Nickel
Operating Temperature:	-55C to +125C
Packaging:	T
Quantity per Reel:	15000



COMPLIANCE STATUS

RoHS Status:	5 of 6 Compliant
REACH Status:	Compliant
Halogen Status:	Halogen Free
Conflict Mineral Status:	Conflict Mineral Free