

PART NUMBER
X213197-HUG

REVISION HISTORY

REV	DOCUMENT	DESCRIPTION	CHG'D BY	DATE	APPROVED
1					

THERMOSTAT SERIES: 3455R
SWITCH TYPE: SPST
RESET TYPE: AUTOMATIC
CONTACT SYSTEM: OPEN ON RISE

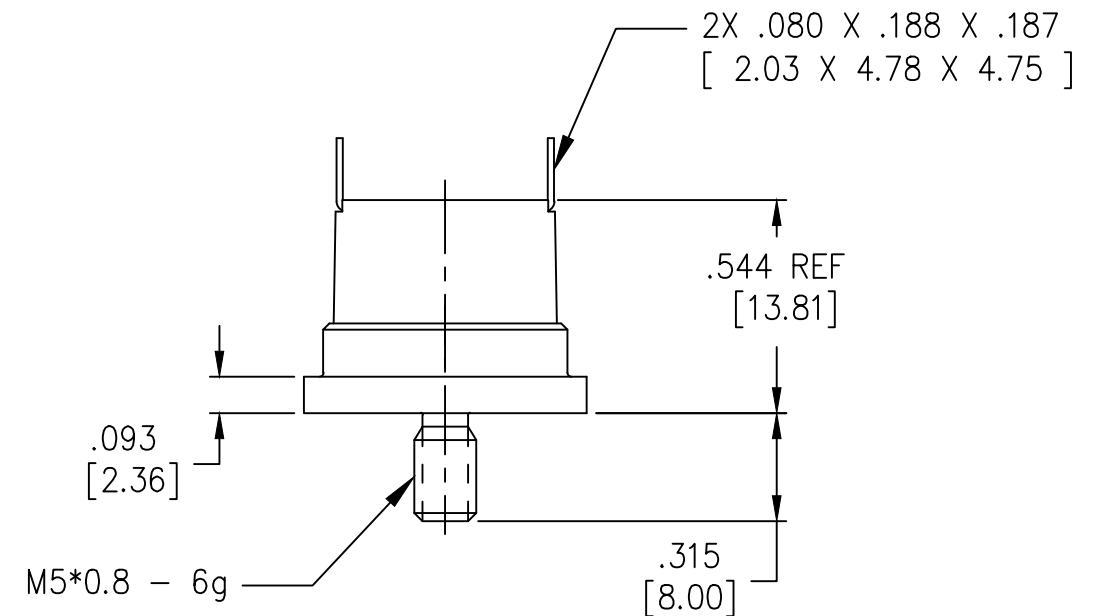
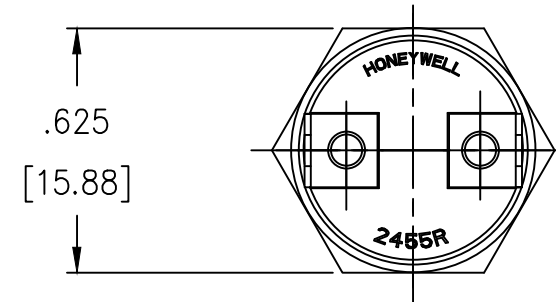
1. TEMPERATURE CHARACTERISTIC
OPEN TEMPERATURE: 31°C±3°C
CLOSE TEMPERATURE: 20°C±4°C

2. ELECTRICAL RATINGS
LIFECYCLES 100K 120VAC 15A RESISTIVE

3. COMPONENT DETAILS
TERMINAL STYLE: T107
: BRASS/TIN/NI
BASE: 2455R PHENOLIC
CONTACTS: SILVER ALLOY
BRACKET STYLE: B225 - BRASS

4. CODING REQUIREMENTS
L31C X213197-HUG NWK YR

5. WEIGHT: 6 G [0.2 OZ] (DOES NOT INCLUDE BRACKET OR WIRE ASSEMBLY)



UNLESS OTHERWISE SPECIFIED DIMENSIONS ARE IN INCHES		THIRD ANGLE PROJECTION		Honeywell			
DECIMAL TOL 1 PLACE --- ±.030 2 PLACE --- ±.010 3 PLACE --- ±.005 ANGULAR TOL - ±2° CHAMFER - ±5°				TITLE THERMOSTAT			
MATERIAL		SIZE B	CAGE CODE -	DWG NO X213197-HUG	TYPE I	REV 1	
FINISH		SCALE NONE	REF WT:	SHEET 1 Of 1			
APPLICABLE DOCUMENTS: ASME Y14.100-2004 ASME Y14.5-2009		RELEASE DATE	HONEYWELL CONFIDENTIAL THIS DOCUMENT CONTAINS PROPRIETARY INFORMATION AND SUCH INFORMATION MAY NOT BE DISCLOSED TO OTHERS FOR ANY PURPOSE, NOR USED FOR MANUFACTURING PURPOSE'S WITHOUT WRITTEN PERMISSION FROM HONEYWELL				
COMPUTER GENERATED DRAWING: AutoCAD		DRW:					
		RDE:					
		QA:					
		CHK:					