

3

2

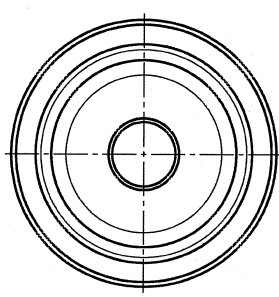
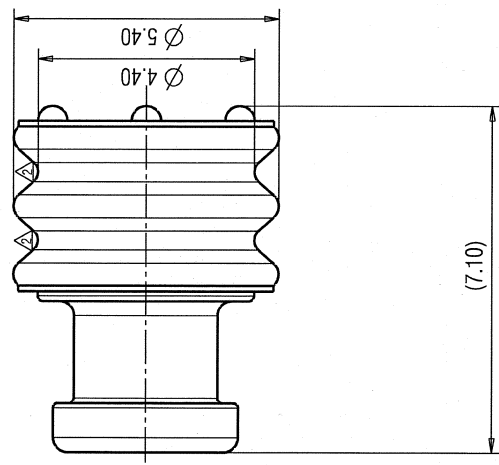
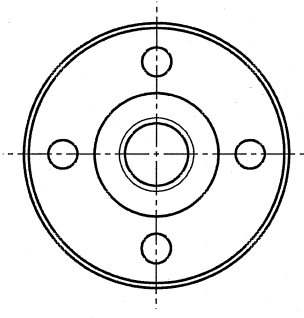
1

PART NUMBER	MATERIAL	COLOUR	WIRE O. D.
7158-3030-50	SILICONE RUBBER	RED (RAL 2002)	1.2 ~ 1.7 mm
△ 7158-3031-90	SILICONE RUBBER	BLUE (RAL 5012)	1.63 ~ 2.2 mm
△ 7158-3033-40	SILICONE RUBBER	LIGHT GREY	2.20 ~ 2.69 mm

NOTES:

1. APPLICABLE TERMINALS: 7114-4102-02 etc.
7116-4102-02 etc.
2. APPLICABLE FOR CAVITY DIAMETER 4.80 mm.
3. RUBBER PARTS GENERAL TOLERANCE ±0.2 mm.

B



A

DATE	REVISION RECORD	NO.	CHKD	OFFICE	YKE	VENDOR	TRIAL PART NO.	7F9457-8720 ETC.
09/02/27	CHANGED PART NO.	Y09-0054	V.M.	CUSTOMER			CUSTOMER DWG NO.	
08/07/11	CHANGED SHAPE	Y08-0033	V.M.	CUSTOMER PART NO.				
02/04/10	ADD PART NO.	C02-E094	M.L.					
99/02/23	NEW	C99-E013	G.N.	OFFICE	YKE			
	REVISION RECORD		CHKD	VENDOR				
GENERAL TOLERANCE								
10MAX	50MAX	100MAX	250MAX	250MAX	ANGLE	ECCENT		
±0.15	±0.2	±0.3	±0.5	±0.75	±30'	0.1		
B	±0.2	±0.3	±0.55	±0.95	±1.4	±30'		
C	±0.3	±0.5	±0.8	±1.4	±2	±30'		
SPECIFIED MASS								
04.03.2009								
P.P. Malovic								
T. SCHALLER								
V. MAHOVIC								
Y. TOMITA								
P. PREVISIC								
DRAWN								
CHECKED								
DESIGN								
14.7.2008								
UNIT								
mm								
DWG DATE								
NEW								
DWG SOURCE								
R								
DWG TYPE								
VENDOR NO.								
APPROVED								
SCL								
10/1								
ANGLE								
3								
PART NO.								
7158-3030-50 ETC.								
CH. CODE								
DWG NO.								
7158-3030-50 : R								
SET DRW NO.								
YAZAKI CORPORATION								
31.05.1995								
27.02.2009								
27.02.2009								
31.05.1995								
27.2.2009								

MATL SPEC.	SEE NOTES	TREAT & FIN.	ISSUE MARK
NAME 1.5 SEALED SYSTEM CONNECTOR			
WIRE SEAL			

3

2

1



A3