

TACT SWITCH  
**T6S** SERIES

Long Travel SMT Type  
Tactile Switch



**FEATURES**

- ※High operating force
- ※Long stroke
- ※300,000 operating life cycles

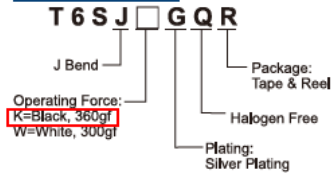
**APPLICATION**

- ※Automotive
- ※Measuring instruments
- ※Car audio

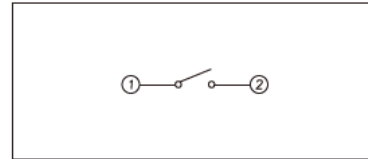
**SPECIFICATION**

Contact Rating	50uA, 1V DC to 50mA, 16V DC
Contact Resistance	100mΩ max. (initial)
Insulation Resistance	100MΩ min.
Dielectric Strength	500V AC/1 minute
Operating Force	300±80gf/360±80gf
Travel	1.05mm
Operating Life	300,000 cycles min.
Operating Temp.	-40°C ~ +90°C
Storage Temp.	-40°C ~ +90°C

**HOW TO ORDER**



**CIRCUIT**

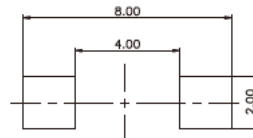
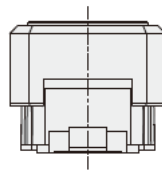
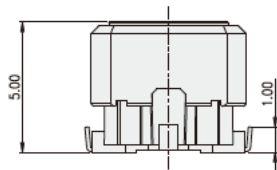
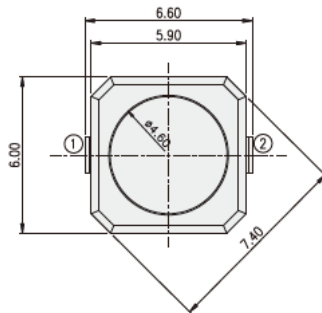


**PACKAGE**

<Tape & Reel>  
1500 pcs

TACT SWITCH

**T6S**



P.C.B. LAYOUT