

Antivibration Rubber Mounts

Both Ends Threaded / Threaded and Plate Mount

Takes up little space for installation. For types with slotted studs even easier to install, see P441.

RoHS

Both Ends Threaded

Type	Material	Main Body	Metal Fitting	Hardness	Accessories
BGOMA	Natural Rubber		Steel (Trivalent Chromate)	Shore A60	Nut, Spring Washer 2 pcs. each
BGOMAC	Chloroprene Rubber		Steel (Trivalent Chromate)	Shore A60	Nut, Spring Washer 1 pc. each
BGOMAS	Natural Rubber		304 Stainless Steel	Shore A60	Nut, Spring Washer 2 pcs. each
BGOMP	Natural Rubber		Steel (Trivalent Chromate)	Shore A45	Nut, Spring Washer 1 pc. each
BGOMPC	Chloroprene Rubber		Steel (Trivalent Chromate)	Shore A45	Nut, Spring Washer 1 pc. each
BGOMPL	Natural Rubber		Steel (Trivalent Chromate)	Shore A45	Nut, Spring Washer 1 pc. each

Threaded and Plate Mount

Type	Material	Main Body	Metal Fitting	Hardness	Accessories
BGOMA	Natural Rubber		Steel (Trivalent Chromate)	Shore A60	Nut, Spring Washer 2 pcs. each
BGOMAC	Chloroprene Rubber		Steel (Trivalent Chromate)	Shore A60	Nut, Spring Washer 1 pc. each
BGOMAS	Natural Rubber		304 Stainless Steel	Shore A60	Nut, Spring Washer 2 pcs. each
BGOMP	Natural Rubber		Steel (Trivalent Chromate)	Shore A45	Nut, Spring Washer 1 pc. each
BGOMPC	Chloroprene Rubber		Steel (Trivalent Chromate)	Shore A45	Nut, Spring Washer 1 pc. each
BGOMPL	Natural Rubber		Steel (Trivalent Chromate)	Shore A45	Nut, Spring Washer 1 pc. each

Part Number	Type	No.	D1	D2	H1	H2	t	l	S	M (Coarse Thread)	W1xW2	h	P	Unit Price						
														BGOMA	BGOMAC	BGOMAS	BGOMP	BGOMPC	BGOMAL	BGOMPL
(Shore A60) - Both Ends Threaded -	BGOMA	12160	12	10	16	12.0		12	11	5	-	-	-							
	BGOMAC	15150	15	12	15	11.0	2.0	15	12											
	BGOMAS	20150	20	15	20	16.0		13	6		49x20		36							
- Threaded and Plate Mount -	BGOMP	25180	25	20	18	13.4		18	16		56x25	7	42							
	BGOMPC	25270	25	20	18	22.4		18	16		56x25	7	42							
(Shore A45) - Both Ends Threaded -	BGOMA	30180	30	25	26	21.4	2.3	24	20	8	62x30		48							
	BGOMAL	35260	35	30	26	21.4		24	20		69x35		53							
- Threaded and Plate Mount -	BGOMPL	40250	40	34	25	20.4		30	25		76x40	9	60							

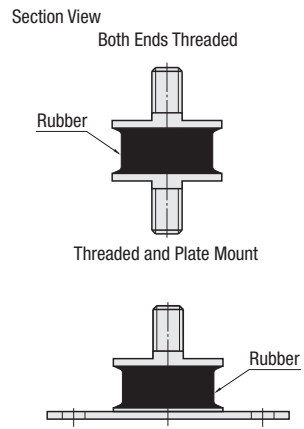
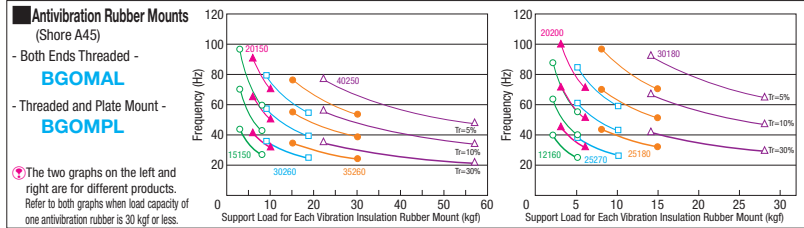
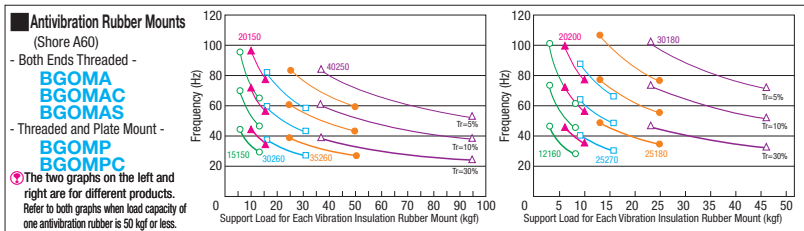
No.	Shore A60 BGOMA, BGOMAC, BGOMAS, BGOMP, BGOMPC					Shore A45 BGOMAL, BGOMPL				
	Direction Z					Direction Z				
	Allowable Load N(kgf)	Standard Load N(kgf)	Spring Constant N/mm (kgf/cm)	X Direction Allowable Load N(kgf)	Rigidity Ratio kx/kz	Allowable Load N(kgf)	Standard Load N(kgf)	Spring Constant N/mm (kgf/cm)	X Direction Allowable Load N(kgf)	Rigidity Ratio kx/kz
12160	110 {11}	30~78 {3~8}	41 {42}	25 {2.5}	0.20	66 {7}	18~47 {1.8~5}	25 {25}	15 {1.5}	0.20
15150	160 {16}	59~130 {6~13}	74 {75}	34 {3.5}	0.20	96 {10}	35~78 {3.5~8}	44 {45}	20 {2.1}	0.20
20150	280 {29}	98~160 {10~16}	130 {130}	69 {7}	0.15	170 {17}	59~96 {6~10}	78 {78}	41 {4.2}	0.15
20200	180 {18}	59~98 {6~10}	78 {80}	49 {5}	0.19	110 {11}	35~59 {3.5~6}	47 {48}	29 {3}	0.19
25180	490 {50}	128~250 {13~25}	200 {200}	98 {10}	0.16	290 {30}	76~150 {7.7~15}	120 {120}	59 {6}	0.16
25270	310 {32}	88~160 {9~16}	93 {95}	59 {6}	0.20	190 {19}	53~96 {5.4~10}	56 {57}	35 {3.6}	0.20
30180	890 {91}	226~450 {23~46}	310 {320}	170 {17}	0.16	530 {55}	138~270 {14~28}	190 {192}	100 {10}	0.16
30260	610 {62}	147~300 {15~31}	140 {145}	120 {12}	0.19	370 {37}	93~180 {9.5~19}	84 {87}	72 {7.2}	0.19
35260	980 {100}	245~490 {25~50}	240 {240}	250 {25}	0.17	590 {60}	147~290 {15~30}	140 {144}	150 {15}	0.17
40250	1810 {185}	363~930 {37~95}	340 {350}	360 {37}	0.17	1090 {111}	218~560 {22~57}	200 {210}	220 {22}	0.17

Ordering Example Part Number BGOMA15150

Days to Ship Configure Online

Price Configure Online

Spring constant in X direction is calculated by (spring constant in Z direction x rigidity ratio).
Selection Methods, Mounting Methods, Properties, Cautions P440



Antivibration Rubber Mounts

Tapped and Threaded / Tapped and Plate Mount

Takes up little space for installation. For types with slotted studs even easier to install, see P442.

RoHS

Tapped and Threaded

Type	Material	Main Body	Metal Fitting	Hardness	Accessories
BGONA	Natural Rubber		Steel (Trivalent Chromate)	Shore A60	Nut, Spring Washer 1 pc. each

Tapped and Plate Mount

Type	Material	Main Body	Metal Fitting	Hardness
BGONP	Natural Rubber		Steel (Trivalent Chromate)	Shore A60

Part Number	Type	No.	D1	D2	H1	H2	t	l1	S	M (Coarse Thread)	l2	W1xW2	h	P	Direction Z			X Direction Allowable Load N(kgf)	Rigidity Ratio KX/KZ	Unit Price	
															Allowable Load N(kgf)	Standard Load N(kgf)	Spring Constant N/mm (kgf/cm)			BGONA	BGONP
(Shore A60) - Tapped and Threaded -	BGONA	12160	12	10	16	12.0		12	11	5	4.5	-	-	-	110 {11}	30~78 {3~8}	62 {63}	25 {2.5}	0.20		
		15150	15	12	15	11.0	2.0	12	12						160 {16}	59~130 {6~13}	110 {110}	34 {3.5}	0.24		
		20150	20	15	20	16.0		15	13		5	49x20		36	280 {29}	98~160 {10~16}	180 {180}	69 {7}	0.18		
		20200	20	15	20	16.0		15	13		6	49x20		36	180 {18}	59~98 {6~10}	88 {90}	49 {5}	0.22		
		25180	25	20	18	13.4		18	16		6	56x25	7	42	580 {59}	147~280 {15~29}	220 {220}	98 {10}	0.19		
		25270	25	20	27	22.4		18	16		7.2	56x25	7	42	310 {32}	88~160 {9~16}	110 {110}	59 {6}	0.22		
		30180	30	25	18	13.4	2.3	24	20		6	62x30		48	1700 {170}	415~830 {43~85}	610 {620}	250 {25}	0.15		
		30260	30	25	26	21.4		24	20		7.2	62x30		48	760 {77}	196~370 {20~38}	180 {180}	150 {15}	0.22		
		35260	35	30	26	21.4		24	20		8	69x35	9	53	1100 {110}	275~550 {28~56}	250 {260}	260 {27}	0.24		
		40250	40	34	25	20.4		30	25		8	76x40	9	60	1420 {145}	363~700 {37~71}	340 {350}	320 {33}	0.23		

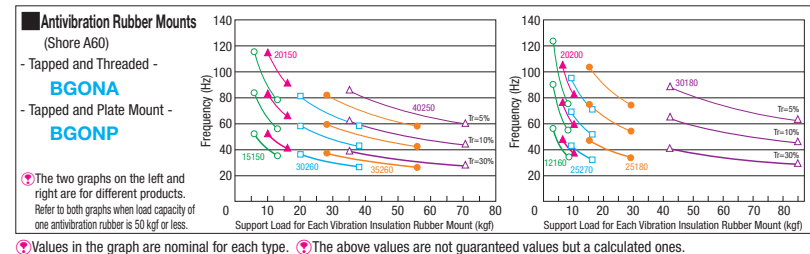
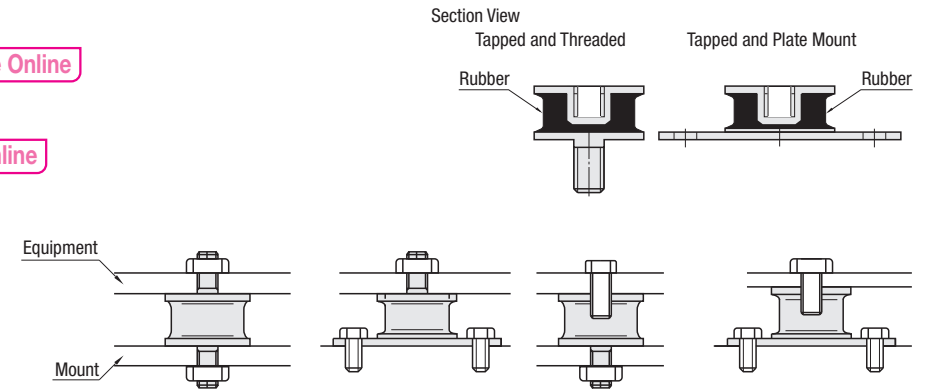
Spring constant in X direction is calculated by (spring constant in Z direction x rigidity ratio).
Selection Methods, Mounting Methods, Properties, Cautions P440

Ordering Example Part Number BGONA15150

Days to Ship Configure Online

Price Configure Online

Example



Values in the graph are nominal for each type. The above values are not guaranteed values but a calculated ones.