

ULTRA HIGH POWER INDUCTOR**P7608 Family****Features**

- * Ultra High Current (to 30A)
- * Very Low DCR (to 1m Ω)
- * Foil windings
- * Closed magnetic circuit
- * Pb-free

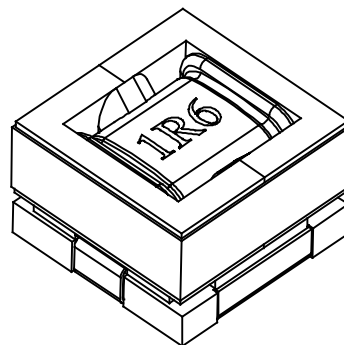
Applications

- * DC-DC Converters
- * Voltage Regulator Modules
- * Distributed Power
- * MPU power supplies
- * Servers
- * Workstations
- * Telecom equipment
- * Notebook and handheld equipment

DESCRIPTION

The P7608 family comprises high-energy-density surface mount inductors. The family employs copper foil windings, giving excellent DC resistance, thermal efficiency and high frequency performance. The core is a closed magnetic circuit to afford magnetic shielding.

Components are supplied with Pb-free terminations in tape and reel packaging, and are suitable for Pb-free and conventional placement and reflow.

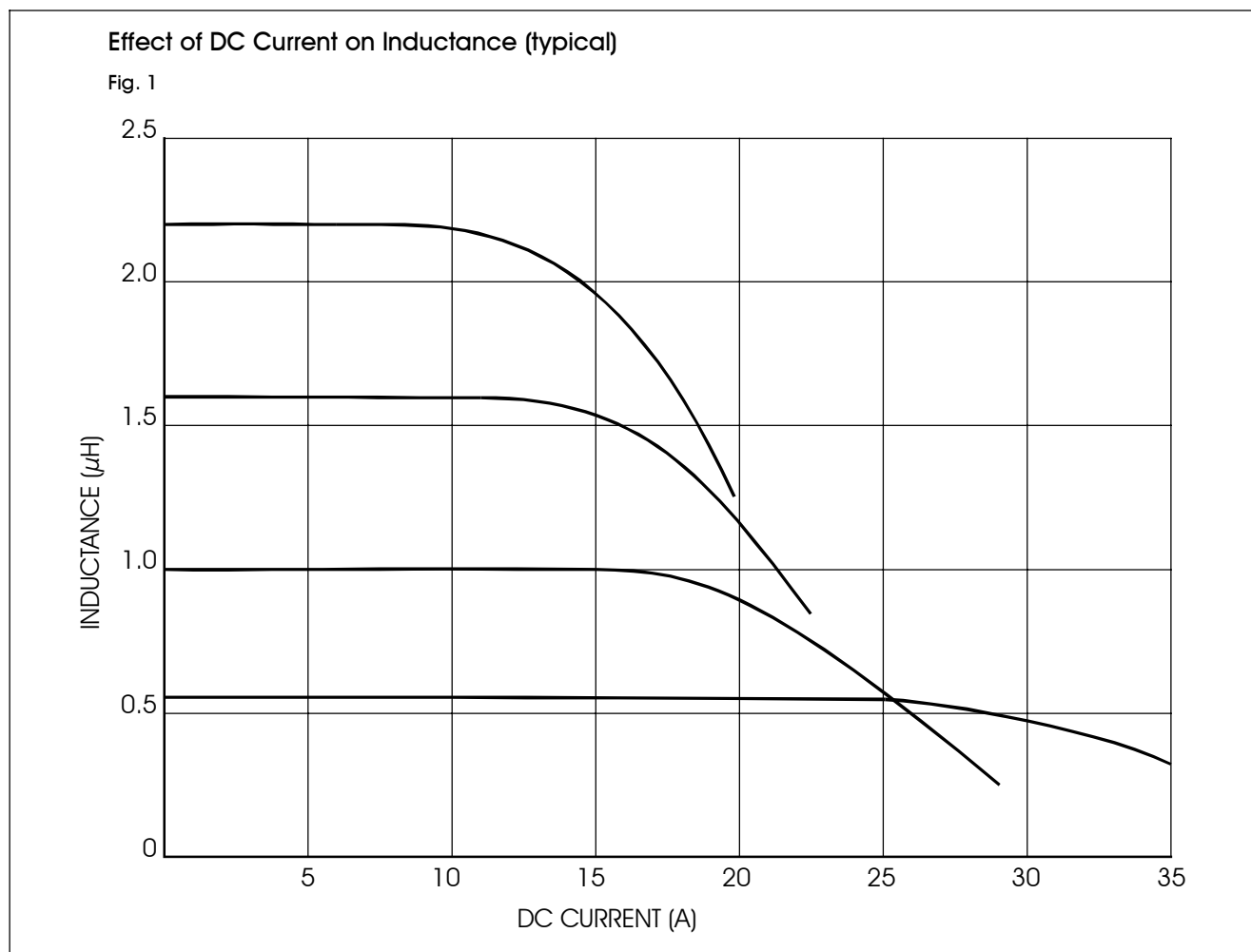


SPECIFICATIONS**Electrical**

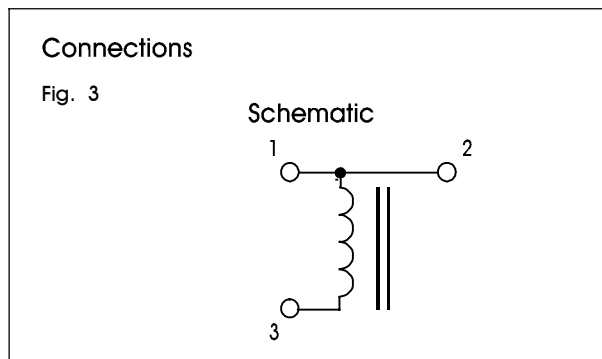
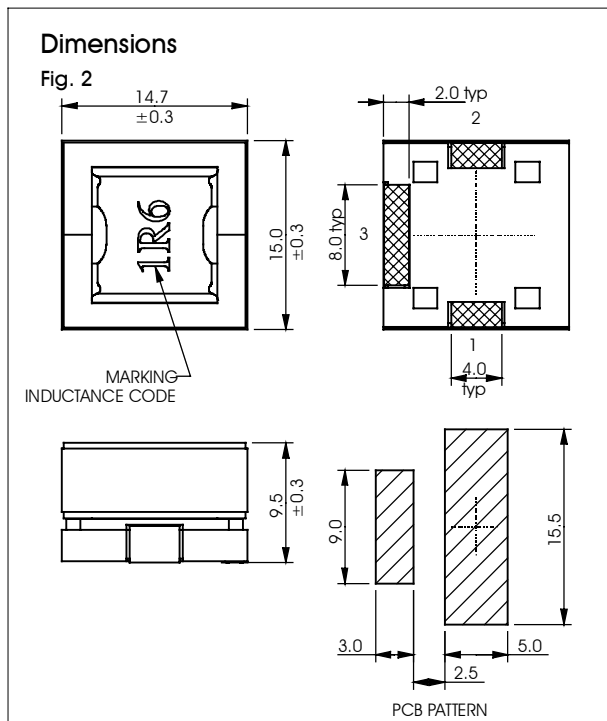
Part Number	Inductance (μH) ⁽¹⁾	DCR ($\text{m}\Omega$) Max	Rated Current I_{DC} (A) ⁽²⁾
P7608-R56Y	0.56 \pm 30%	1.0	30
P7608-1R0M	1.0 \pm 20%	1.2	22
P7608-1R6M	1.6 \pm 20%	1.5	18
P7608-2R2M	2.2 \pm 20%	1.9	15

Notes

1. Inductance measured at 100kHz, 1V.
2. Rated current, I_{DC} , is the current at which the temperature rise is 40°C (max) or the DC current at which the zero-current inductance drops by 25% (max) whichever is less.
3. Operating temperature -25°C to +85°C.
4. For non-standard inductance values, please contact Profec.

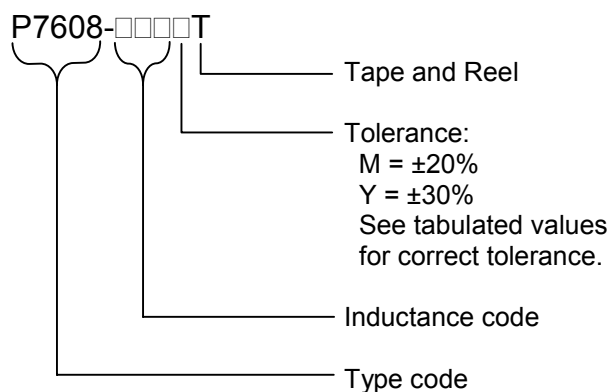


CONSTRUCTION



Dimensions shown are in millimetres
 Terminal plating is pure tin (Sn).
 Recommended reflow solder profile:
 2 minutes (min) @ 100-150°C,
 10 seconds (max) @ 230°C;
 time above 200°C 30 seconds maximum.

ORDERING CODE



ABSOLUTE MAXIMUM RATINGS

Storage temperature	-40°C to +105°C
Operating temperature	-25°C to +85°C
Soldering temperature profile peak	260°C 10s

PROFEC
 TRANSFORMING THE FUTURE



Profec Technologies Ltd., 10 Betts Avenue, Martlesham Heath, Ipswich, IP5 3RH, England
 Telephone: +44 (0) 1473 611422 Fax: +44 (0) 1473 611919
 Website: www.profec.com Email: info@profec.co.uk, sales@profec.com