



## Standard Connector Catalog



---

Bomar  
Continental  
SRC Haverhill  
SRI Connector Gage  
SRI Hermetics  
Tekna Seal  
Winchester



SRI Connector Gage products are now under the Win™ brand from Winchester Interconnect.

<b>1.85mm</b>	Design Specifications . . . . . 3	<b>SMA</b>	Design Specifications . . . . . 57
	In-Series Adapters . . . . . 4		In-Series Adapters . . . . . 58-62
	Cable Connectors . . . . . 5-6		Cable Connectors . . . . . 62-65
	Receptacles . . . . . 7		Receptacles/PCB Mount . . . . . 65-67
<b>2.4mm</b>	Design Specifications . . . . . 8	<b>SSMA</b>	Design Specifications . . . . . 68
	In-Series Adapters . . . . . 9-10		In-Series Adapters . . . . . 69
	Cable Connectors . . . . . 10-13		Cable Connectors . . . . . 69-70
	Receptacles . . . . . 14-20		Receptacles . . . . . 71
	Instrument Adapters . . . . . 20-21	<b>TNC</b>	Design Specifications . . . . . 72
<b>2.9mm</b>	Design Specifications . . . . . 22		In-Series Adapters . . . . . 73
	In-Series Adapters . . . . . 23-26		Cable Connectors . . . . . 74-75
	Cable Connectors . . . . . 26-31		Receptacles . . . . . 76
	Receptacles . . . . . 31-34	<b>ZMA</b>	Design Specifications . . . . . 77
<b>3.5mm</b>	Design Specifications . . . . . 35		In-Series Adapters . . . . . 78
	In-Series Adapters . . . . . 36-38		Cable Connectors . . . . . 79-81
	Cable Connectors . . . . . 39		Receptacles . . . . . 82
<b>7mm</b>	Design Specifications . . . . . 40	<b>Superties™</b> . . . . . 83	
	Cable Connectors . . . . . 41	<b>Between-Series Adapters</b> . . . . . 84-110	
	Sub-Assemblies . . . . . 42	<b>Low Loss</b>	Design Specifications . . . . . 111
	Receptacles . . . . . 43		Cable Connector/Flexible Cable . . . . . 112-115
<b>N</b>	Design Specifications . . . . . 44		Cable Connector/Semi-Rigid Cable . . . . . 116-117
	In-Series Adapters . . . . . 45-46	<b>Kits</b>	RF Designer Microwave Kit . . . . . 118
	Cable Connectors . . . . . 46-51		Interface Gages Kit . . . . . 119
	Receptacles . . . . . 52	<b>Gages</b> . . . . . 120	Interface Gages . . . . . 120
<b>SC</b>	Design Specifications . . . . . 53		Separation Force Gage . . . . . 121
	In-Series Adapters . . . . . 54	<b>How to Order</b> . . . . . 122	
	Cable Connectors . . . . . 54-55		
	Receptacles . . . . . 55-56		

**Can't find what you need – let us create custom products that meet your specifications**

## 1.85mm Design Specifications



### General

Materials:	SST, Corrosion-resistant, Non-magnetic 303, per ASTM A484 & A582, Beryllium Copper per ASTM-B-196, QQ-C-530, Oxide Noryl™, MIL-P-46129
Finish:	Center contacts and solder components shall be plated per MIL-G-45204 Type II, Class I over Nickel plate per QQ-N-290, Body & Body components shall be passivated per ASTM A380
Compatibility:	Mechanically compatible with 2.4mm connectors.

### Electrical Frequency:

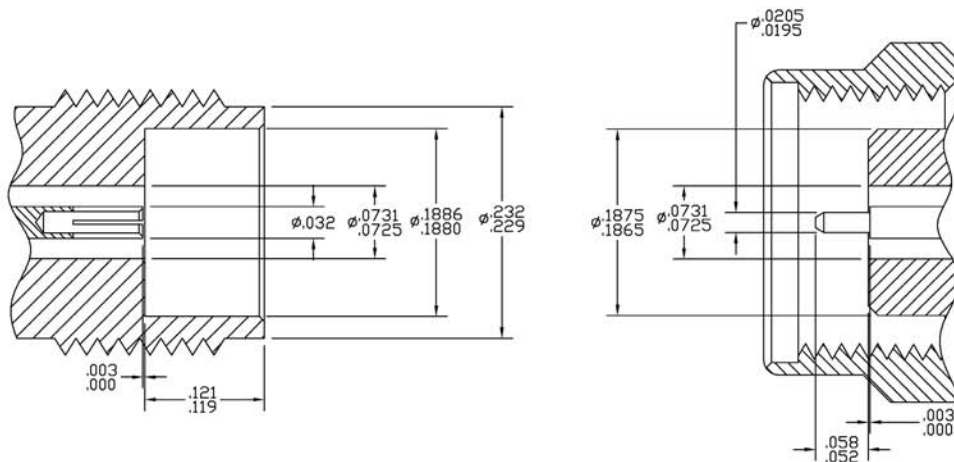
Nominal Impedance:	<b>DC-65 GHz</b>
Temperature Rating:	50 Ohms
VSWR:	-55° C to 100° C 1.33:1 to 65 GHz

### Mechanical

Connector Durability:	
Contact Torque:	500 cycles minimum 4.0 inch-ounces minimum
Coupling nut mating torque:	8-10 inch lbs.

### Environmental

Corrosion (salt spray):	MIL-STD-202, method 101, test condition B 5% salt solution
Vibration High Frequency:	MIL-STD-202, method 204, test condition D (20 G's)



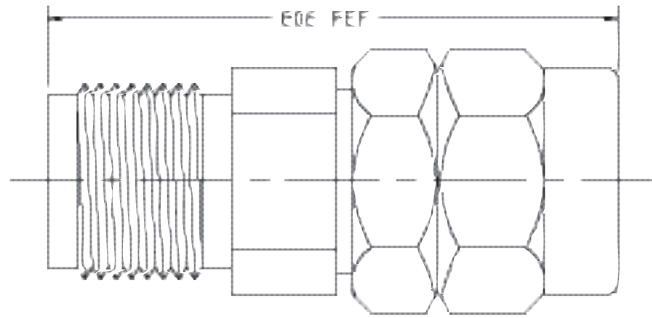
## 1.85mm In-Series Phase Matches Adapters



### 84-985-0000-80

1.85mm Plug to 1.85mm Jack

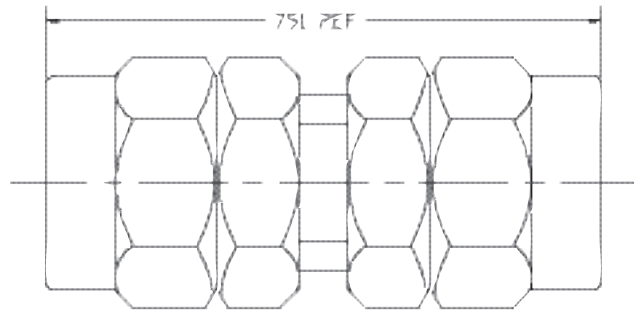
DC-65 GHz



### 84-984-0000-80

1.85mm Plug to 1.85mm Plug

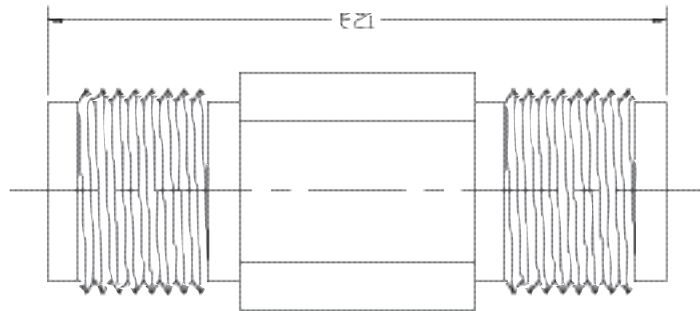
DC-65 GHz



### 85-985-0000-80

1.85mm Jack to 1.85mm Jack

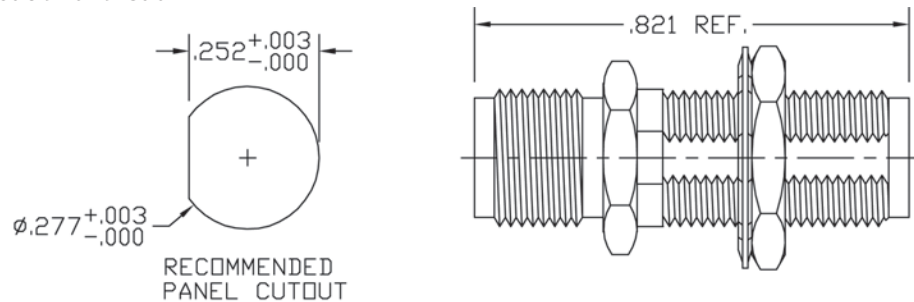
DC-65 GHz



### 85-985-2000-80

1.85mm Jack to 1.85mm Jack Bulkhead

DC-65 GHz

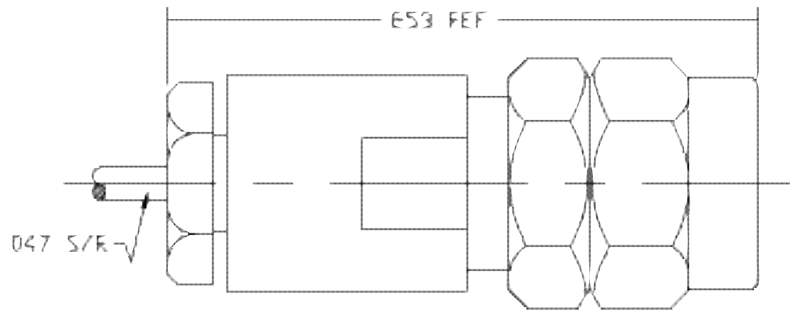


## 1.85mm Cable Connectors

**84-000-1547-80**

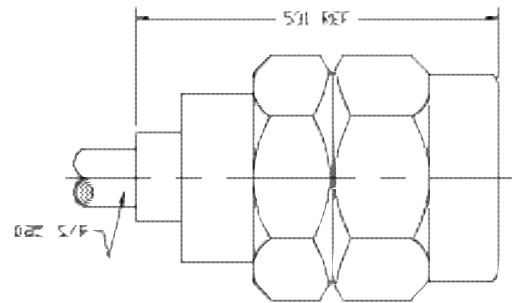
1.85mm Plug to .047 S/R Cable  
Solder Clamp

DC-65 GHz

**84-000-1085-00**

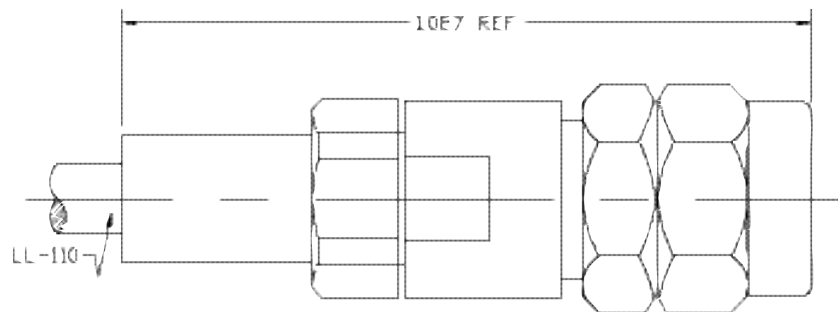
1.85mm Plug to .085 S/R Cable  
Direct Solder

DC-60 GHz

**84-000-1510-80**

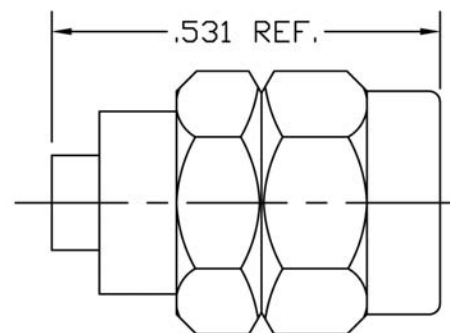
1.85mm Plug to LL-110 Cable  
Solder Clamp

DC-65 GHz

**84-000-1085-00**

1.85mm Plug to .085 S/R Cable  
Direct Solder

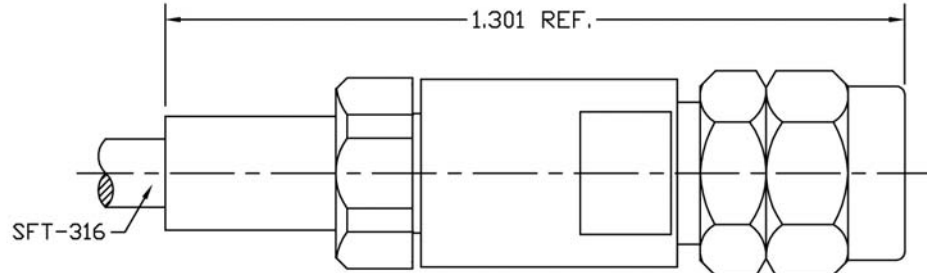
DC-60 GHz



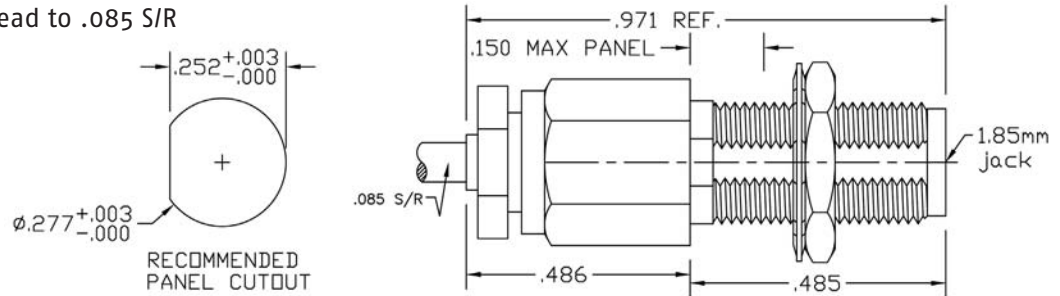
## 1.85mm Cable Connectors

**84-000-1516-80**1.85mm Plug to Times SFT-316  
Solder Clamp

DC-65 GHz

**85-020-1585-80**1.85mm Jack Bulkhead to .085 S/R  
Solder Clamp

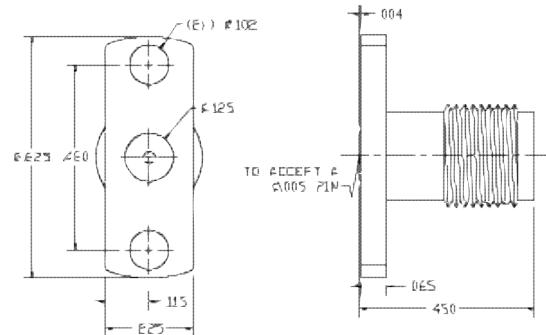
DC-65 GHz



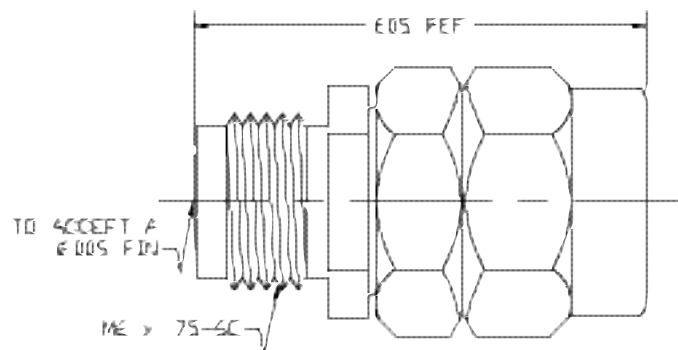
## 1.85mm Receptacles

**85-130-1500-80**1.85mm Jack Receptacle 2  
Hole Flange Mount

DC-65 GHz

**84-150-1500-80**1.85mm Plug Receptacle  
(Sparkplug)

DC-65 GHz

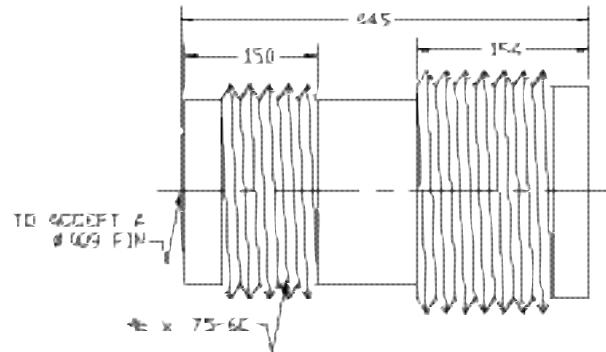


## 1.85mm Receptacles

### 85-150-1500-80

1.85mm Jack Receptacle  
(Sparkplug)

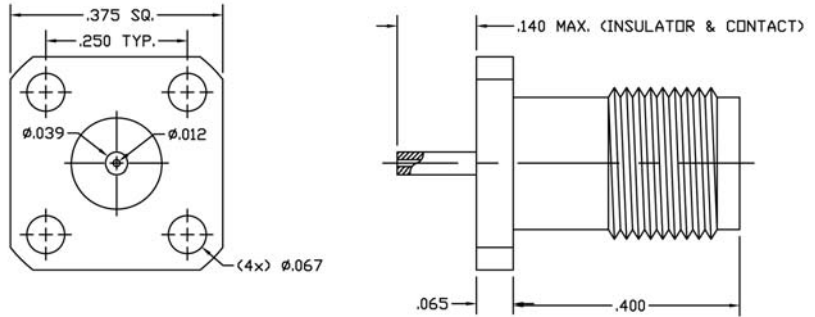
DC-65 GHz



### 85-131-1000-80

1.85mm Jack 4 Hole Flange

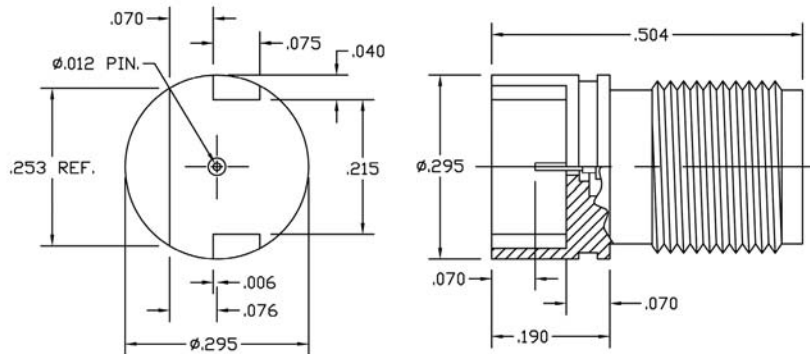
DC-65 GHz



### 85-146-1000-80

1.85mm Jack PCB Mount

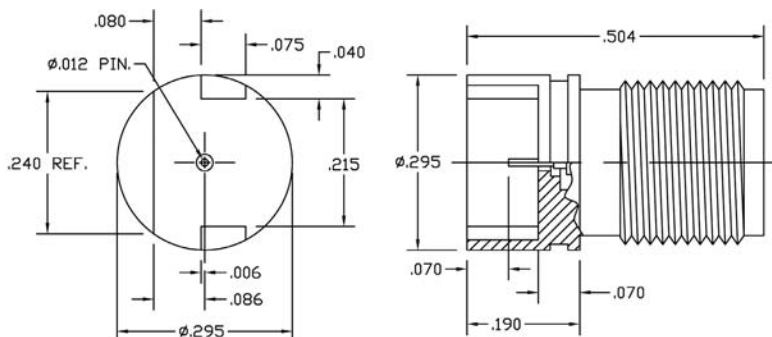
DC-65 GHz



### 85-146-1000-81

1.85mm Jack PCB Mount

DC-65 GHz





## 2.4mm Design Specifications

### General

Materials:	SST, Corrosion-resistant, Non-magnetic 303, per ASTM A484 & A582, Beryllium Copper per ASTM-B-196, QQ-C-530, Oxide Noryl™, MIL-P-46129
Finish:	Center contacts and solder components shall be plated per MIL-G-45204 Type II, Class I over Nickel plate per QQ-N-290, Body & Body components shall be passivated per ASTM A380
Compatibility:	Mechanically compatible with 1.85mm connectors.

### Electrical Frequency:

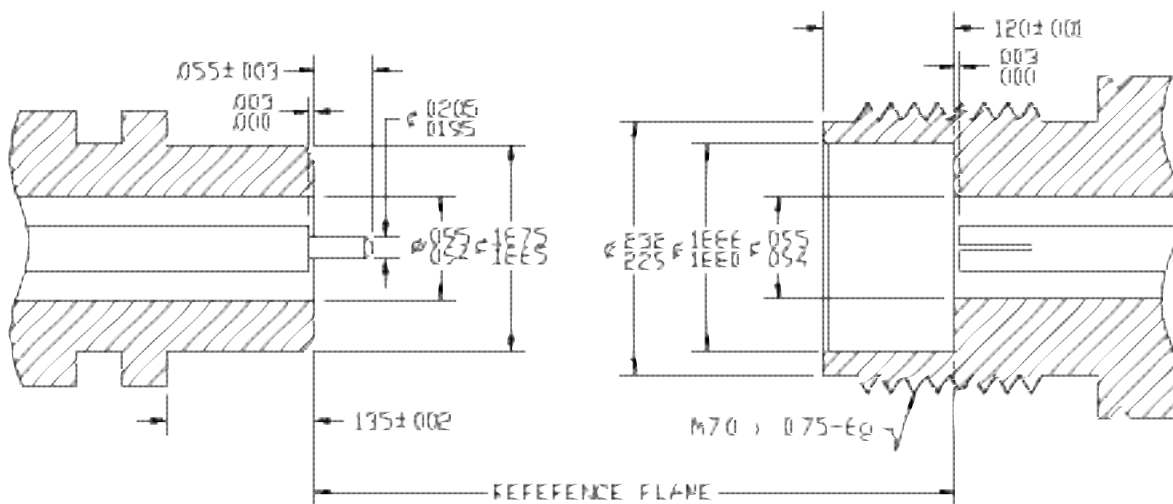
Nominal Impedance:	<b>DC-50 GHz</b>
Temperature Rating:	50 Ohms
VSWR:	-55° C to 100° C 1.3:1 to 50 GHz

### Mechanical

Connector Durability:	
Contact Torque:	500 cycles minimum 4.0 inch-ounces minimum
Coupling nut mating torque:	8-10 inch lbs.

### Environmental

Corrosion (salt spray):	MIL-STD-202, method 101, test condition B 5% salt solution
Vibration High Frequency:	MIL-STD-202, method 204, test condition D (20 G's)

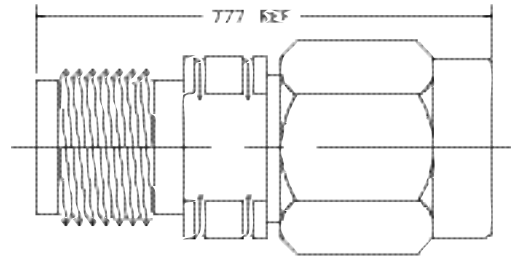


## 2.4mm In-Series Adaptors

**26-927-0000-40**

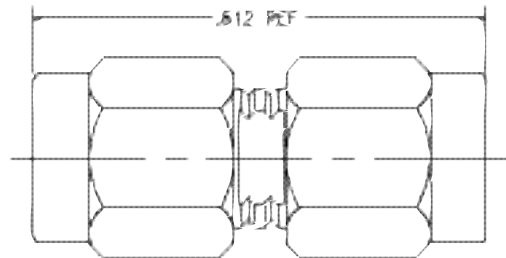
2.4mm Plug to 2.4mm Jack

DC-50 GHz

**26-926-0000-40**

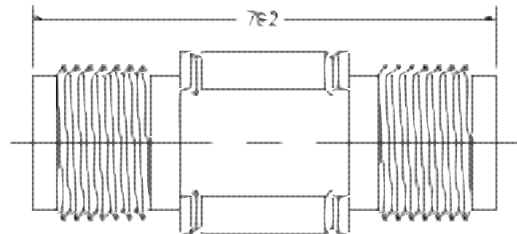
2.4mm Plug to 2.4mm Plug

DC-50 GHz

**27-927-0000-40**

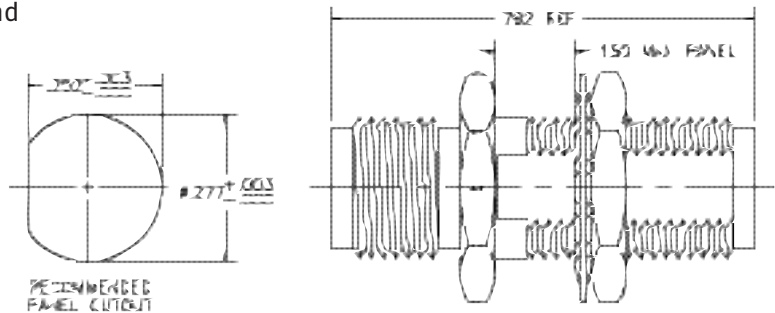
2.4mm Jack to 2.4mm Jack

DC-50 GHz

**27-927-2000-40**

2.4mm Jack to 2.4mm Jack Bulkhead

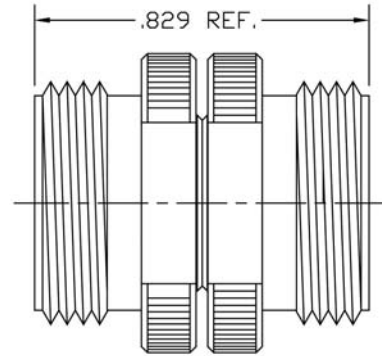
DC-50 GHz



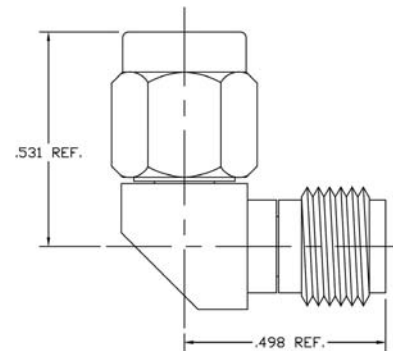
## 2.4mm In-Series Adapters

**26-926-0500-40**2.4mm Plug to 2.4mm  
Plug NMD

DC-50 GHz

**26-927-2010-40**2.4mm Plug to 2.4mm  
Jack R/A

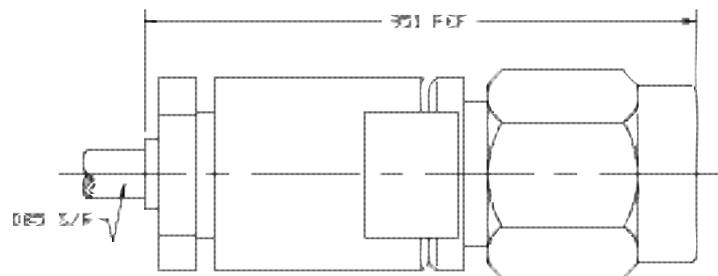
DC-50 GHz



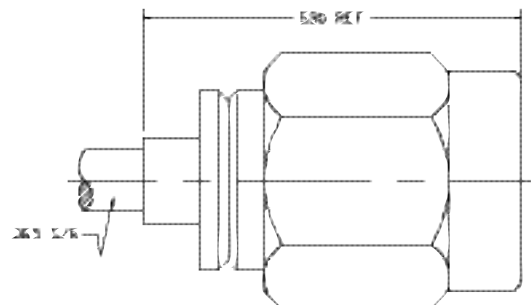
## 2.4mm Cable Connectors

**26-000-1585-40**2.4mm Plug  
to .085 S/R  
Cable Solder  
Clamp

DC-50 GHz

**26-000-1085-40**2.4mm Plug  
to .085 S/R  
Cable Direct  
Solder

DC-50 GHz

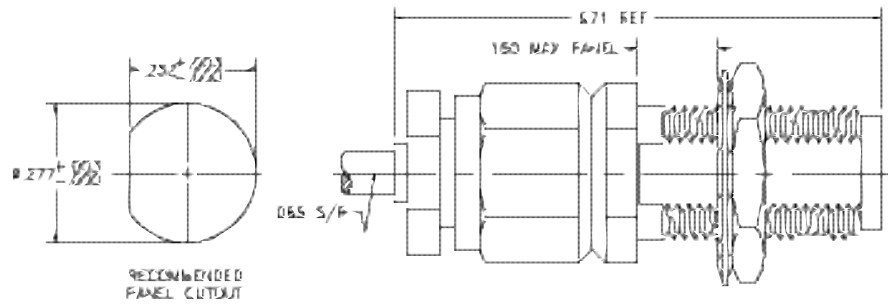


## 2.4mm Cable Connectors

**27-020-1585-40**

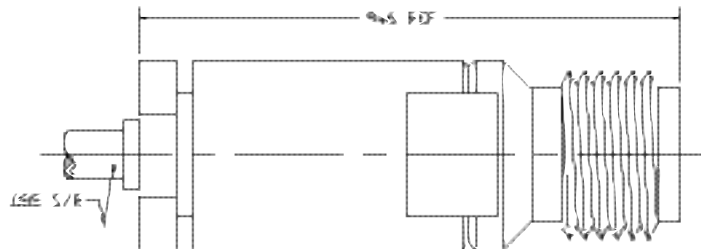
2.4mm Jack to  
.085 S/R Cable  
Bulkhead Mount Solder  
Clamp

DC-50 GHz

**27-000-1585-40**

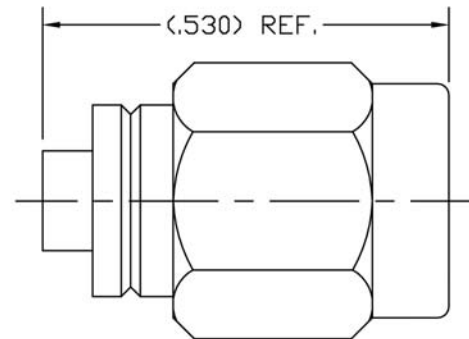
2.4mm Jack  
to .085 S/R Cable  
Solder Clamp

DC-50 GHz

**26-000-1008-40**

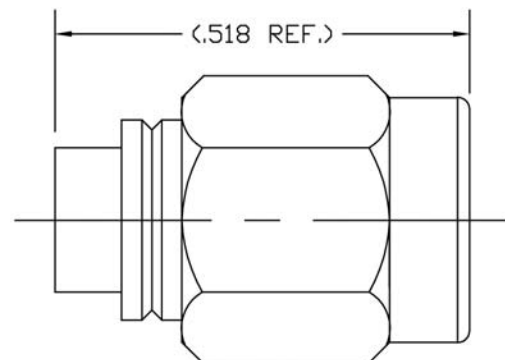
2.4mm Plug to  
.085 S/R Low Loss Direct  
Solder

DC-50 GHz

**26-000-1041-40**

2.4mm Plug to .141" S/R  
Direct Solder

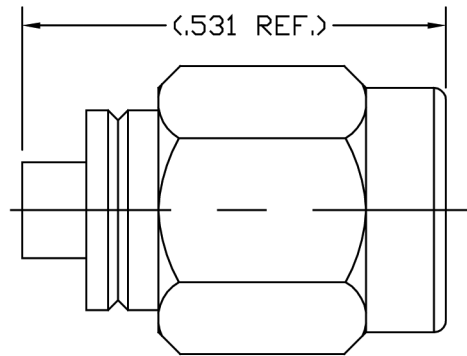
DC-50 GHz



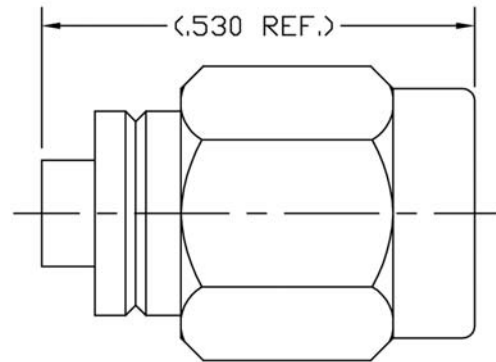
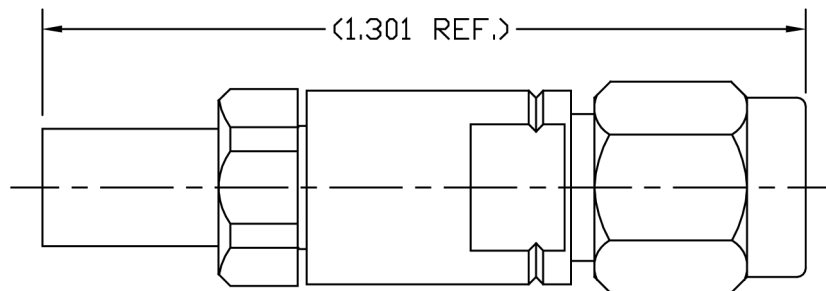
## 2.4mm Cable Connectors

**26-000-1047-40**2.4mm Plug to .047 S/R  
Direct Solder

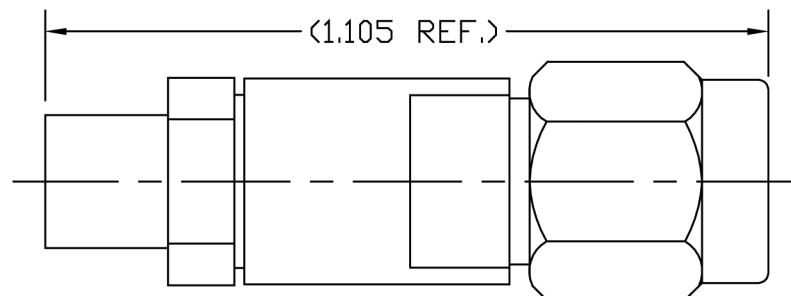
DC-50 GHz

**26-000-1085-01**2.4mm Plug to .085 S/R  
Direct Solder

DC-50 GHz

**26-000-1516-40**2.4mm Plug to SFT-316  
Solder Clamp  
DC-50 GHz**26-000-1523-00**2.4mm Plug to LL120  
Solder Clamp

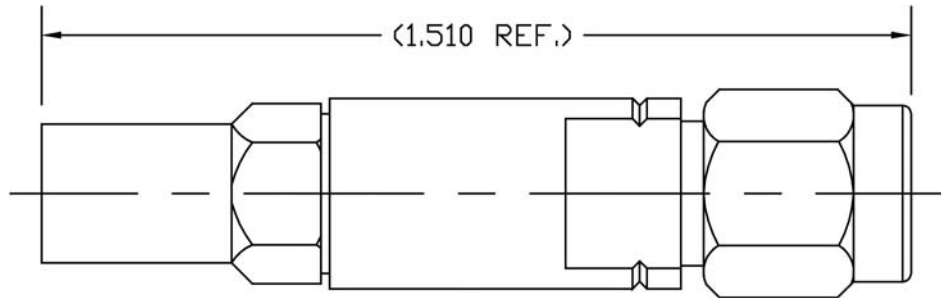
DC-50 GHz



**26-000-1540-40**

2.4mm Plug to IW1401  
Solder Clamp

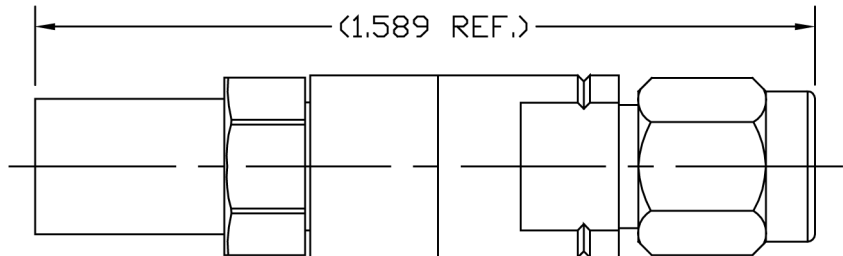
DC-50 GHz



**26-000-1597-40**

2.4mm Plug to LL142  
Solder Clamp

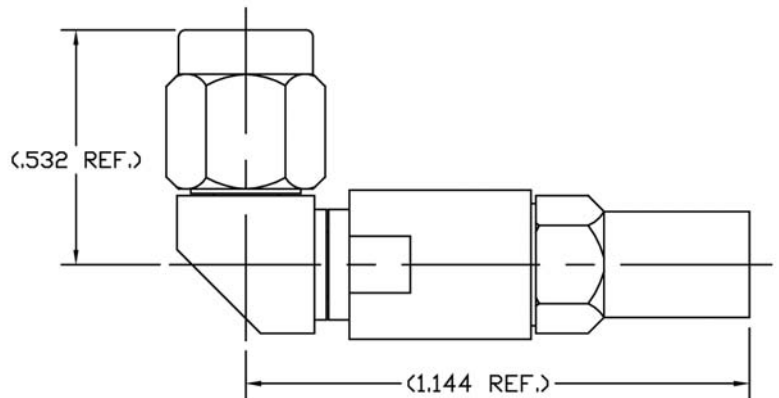
DC-32 GHz



**26-041-1562-40**

2.4mm Plug R/A to Lab-Flex 162  
Solder Clamp

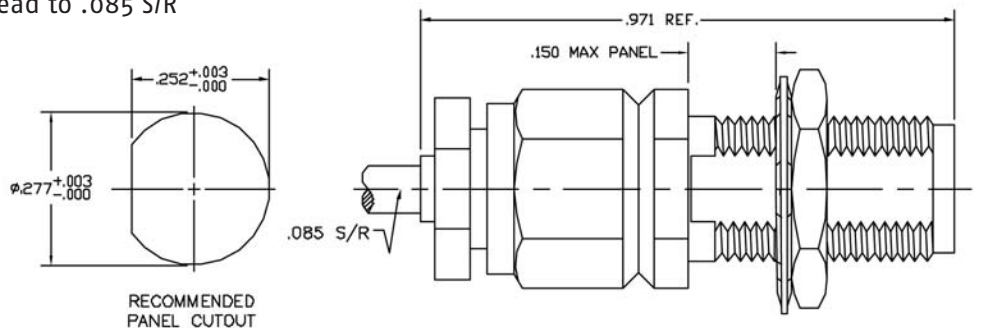
DC-40 GHz



**27-020-1585-40**

2.4mm Jack Bulkhead to .085 S/R  
Solder Clamp

DC-50 GHz

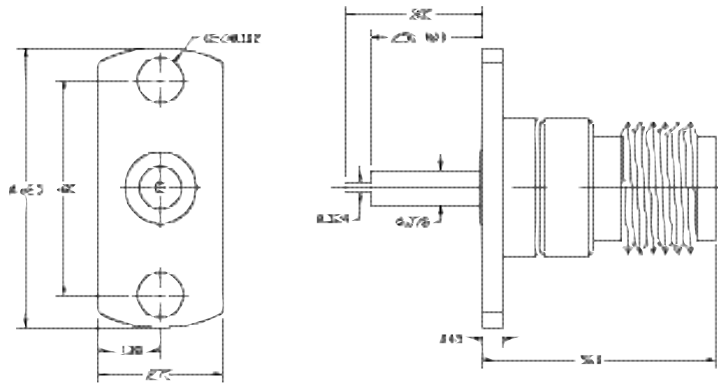


## 2.4mm Receptacles

**27-130-1000-40**

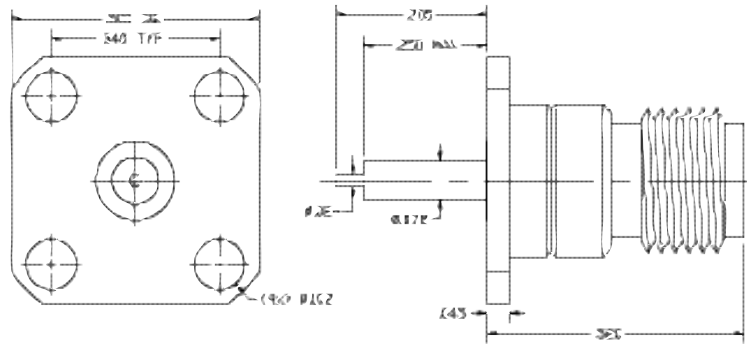
2.4mm Jack Receptacle 2 Hole Flange Mount

DC-50 GHz

**27-131-1000-40**

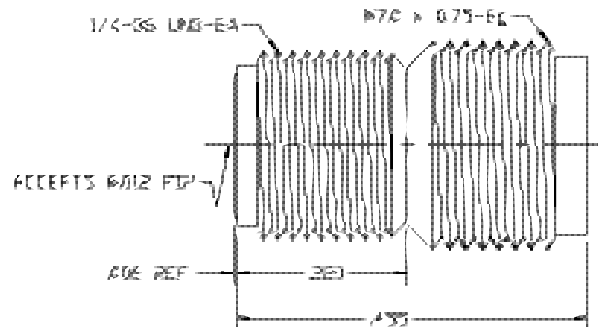
2.4mm Jack Receptacle 4 Hole Flange Mount

DC-50 GHz

**27-150-1500-40**

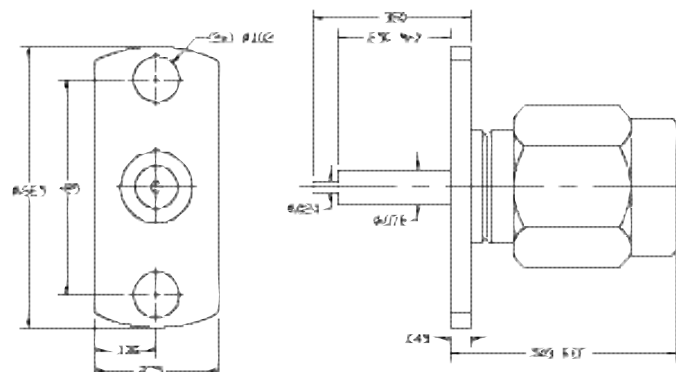
2.4mm Jack Receptacle (Sparkplug)

DC-50 GHz

**26-130-1000-40**

2.4mm Plug Receptacle 2 Hole Flange Mount

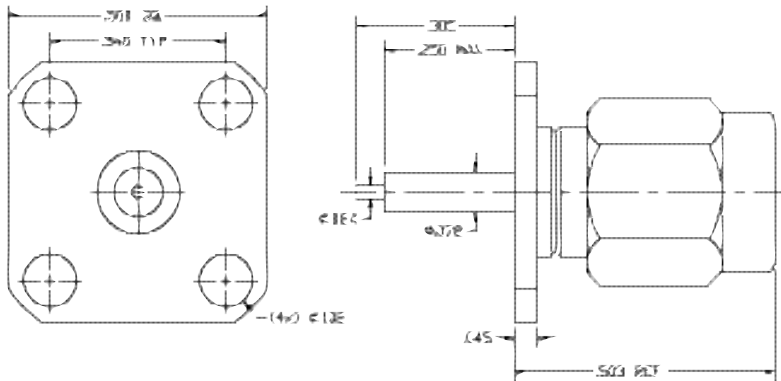
DC-50 GHz



2.4mm Receptacles

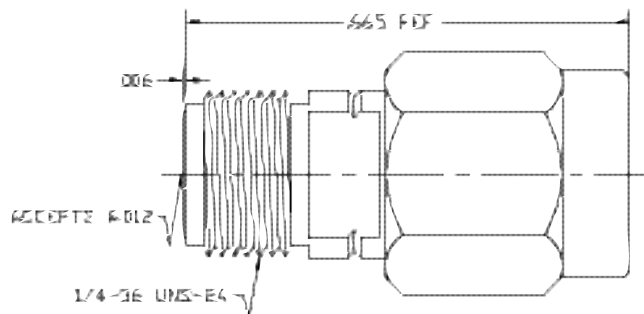
**26-131-1000-40**  
2.4mm Plug Receptacle  
4 Hole Flange Mount

DC-50 GHz



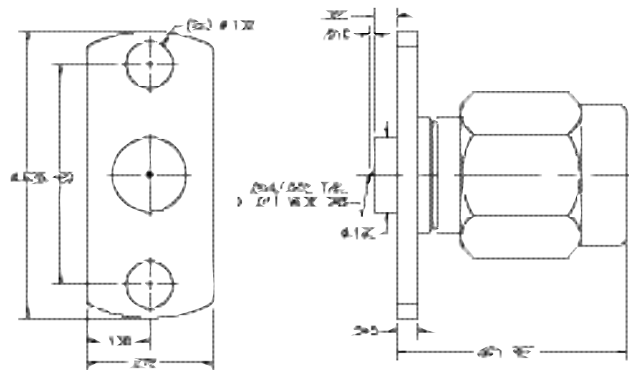
**26-150-1500-40**  
2.4mm Plug Receptacle  
(Sparkplug)

DC-50 GHz



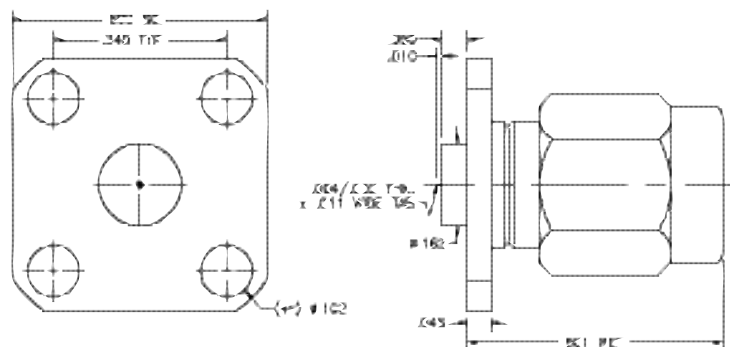
**26-130-3010-40**  
2.4mm Plug Receptacle  
2 Hole Flange Mount For  
Stripline Circuits

DC-50 GHz



**26-131-3010-40**  
2.4mm Plug Receptacle  
4 Hole Flange Mount For  
Stripline Circuits

DC-50 GHz



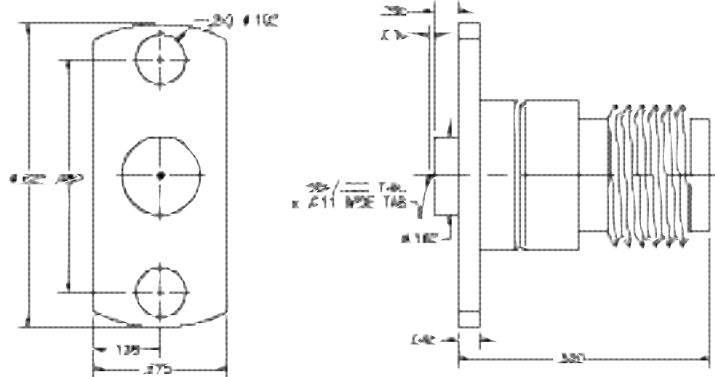


## 2.4mm Receptacles

**27-130-3010-40**

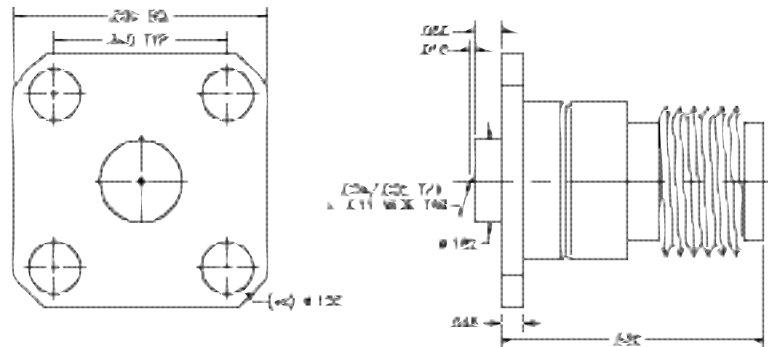
2.4mm Jack Receptacle 2  
Hole Flange Mount For  
Stripline Circuits

DC-50 GHz

**27-131-3010-40**

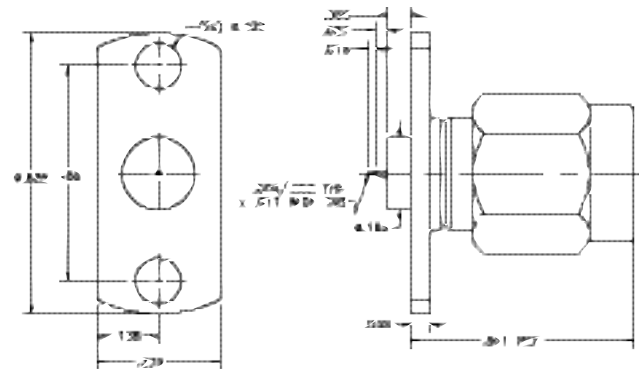
2.4mm Jack Receptacle  
4 Hole Flange Mount For  
Stripline Circuits

DC-50 GHz

**26-130-3015-40**

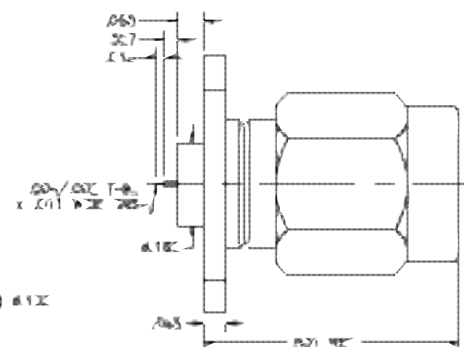
2.4mm Plug Receptacle  
2 Hole Flange Mount For  
Microstrip Circuits

DC-50 GHz

**26-131-3015-40**

2.4mm Plug Receptacle  
4 Hole Flange Mount For  
Microstrip Circuits

DC-50 GHz

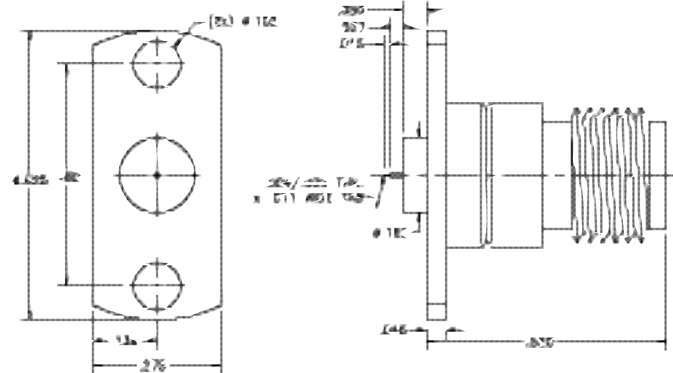


## 2.4mm Receptacles

### 27-130-3015-40

2.4mm Jack Receptacle 2 Hole Flange Mount For Microstrip Circuits

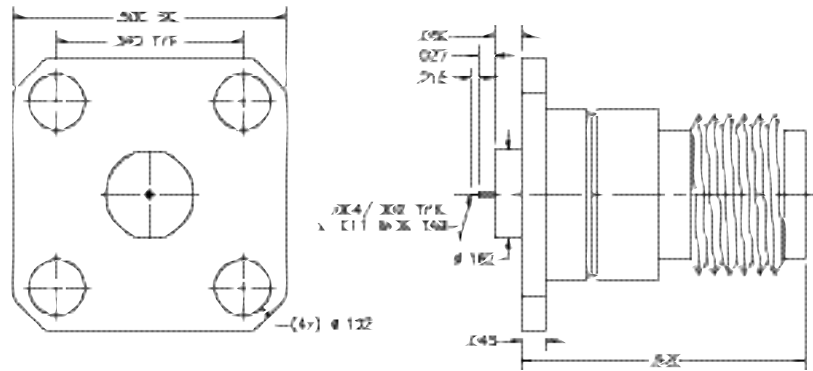
DC-50 GHz



### 27-131-3015-40

2.4mm Jack Receptacle 4 Hole Flange Mount For Microstrip Circuits

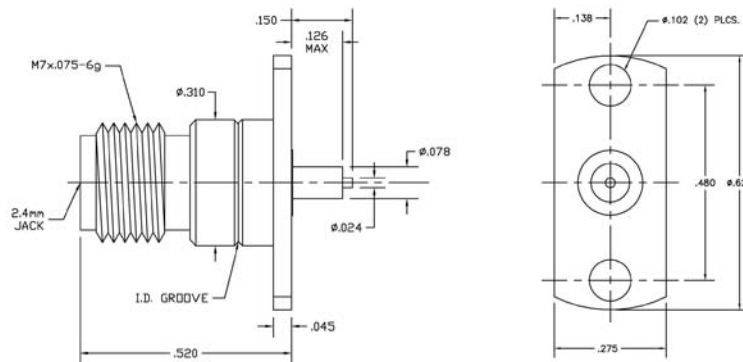
DC-50 GHz



### 27-130-1000-41

2.4mm Jack Receptacle 2 Hole Flange Mount

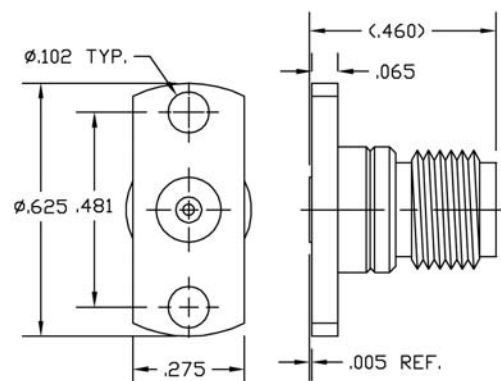
DC-50 GHz



### 27-130-1500-40

2.4mm Jack Receptacle 2 Hole Flange Mount Accepts .012" Diameter Pin

DC-50 GHz

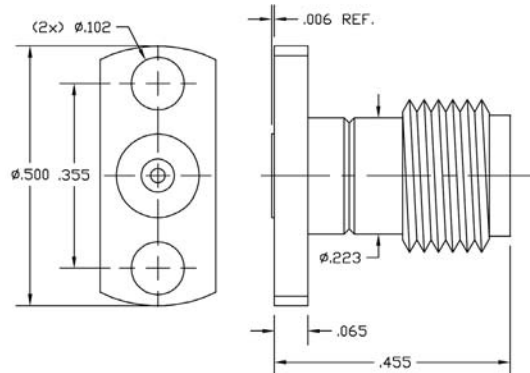


## 2.4mm Receptacles

**27-130-1500-41**

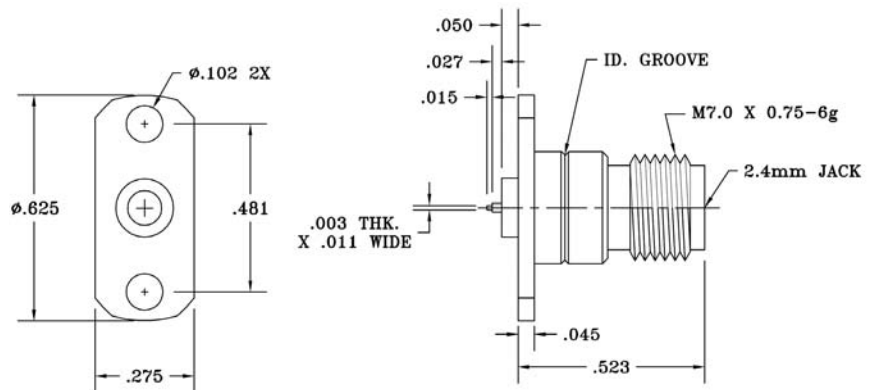
2.4mm Jack Receptacle  
2 Hole Flange Mount  
Accepts .012" Diameter Pin

DC-50 GHz

**27-130-3000-40**

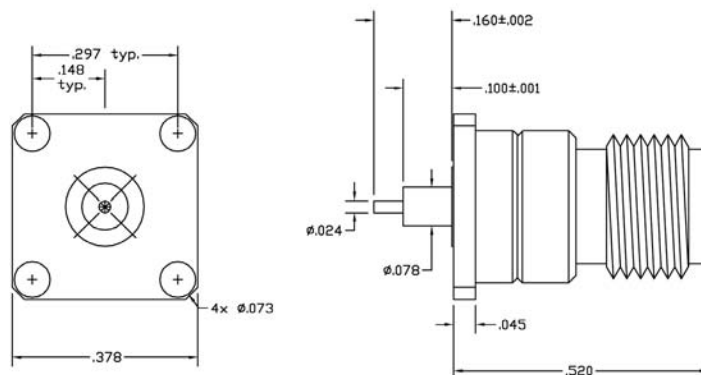
2.4mm Jack Receptacle 2  
Hole Flange Mount

DC-50 GHz

**27-131-1000-42**

2.4mm Jack Receptacle  
4 Hole Flange Mount

DC-50 GHz



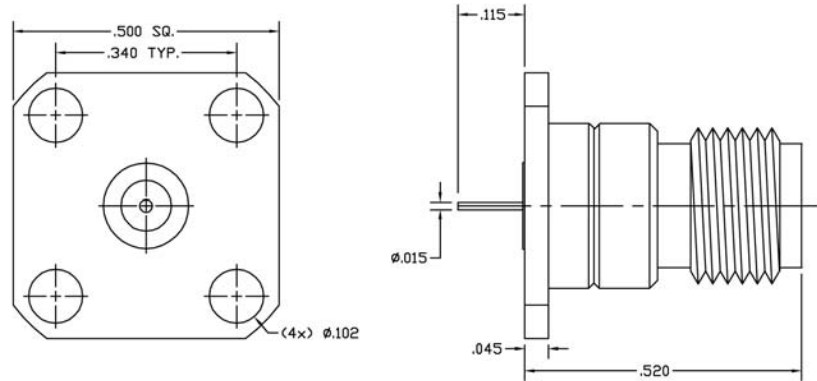
Can't find what you need Our staff works with you to design products that meet your needs. Contact our experts to start your custom design!

[www.winconn.com](http://www.winconn.com)

2.4mm Receptacles

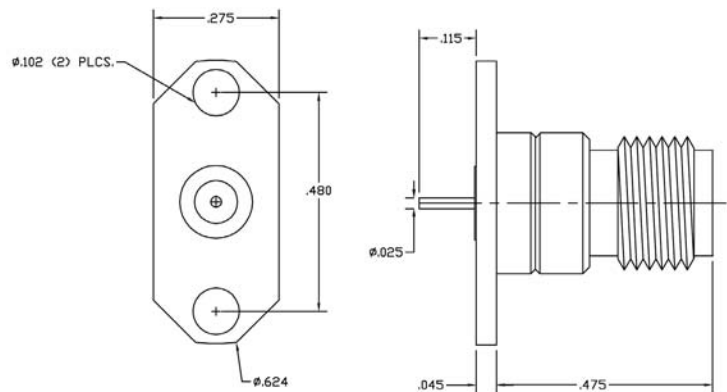
**27-131-1000-43**  
 2.4mm Jack Receptacle  
 4 Hole Flange Mount

DC-50 GHz



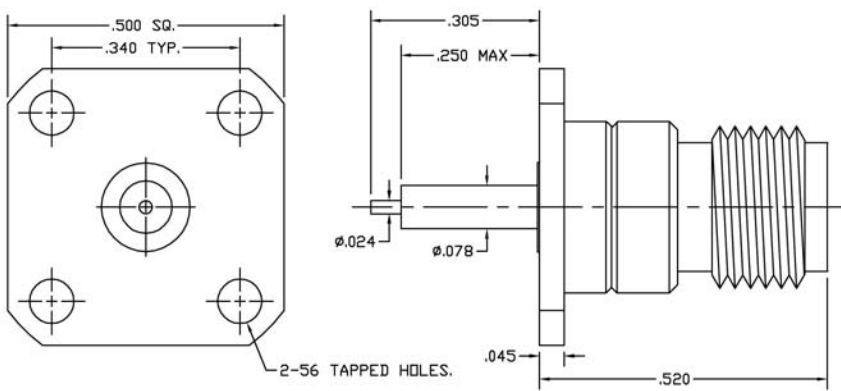
**27-131-1000-44**  
 2.4mm Jack Receptacle 2  
 Hole Flange Mount

DC-50 GHz



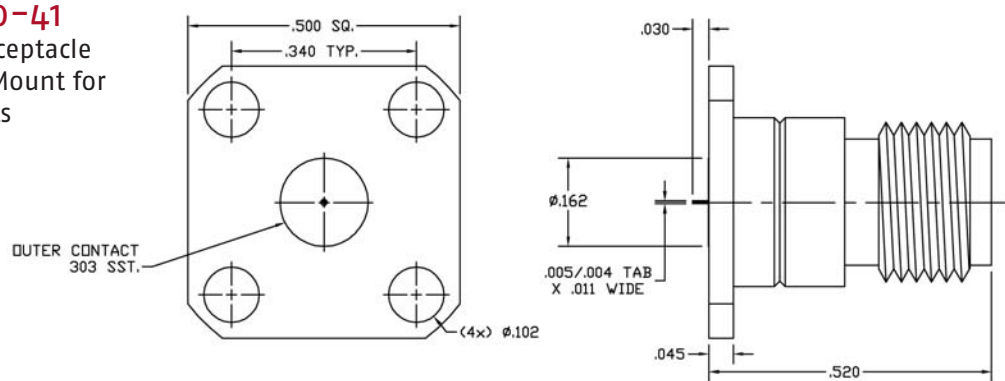
**27-131-1000-45**  
 2.4mm Jack Receptacle  
 4 Hole Flange Mount

DC-50 GHz



**27-131-3010-41**  
 2.4mm Jack Receptacle  
 4 Hole Flange Mount for  
 Stripline Circuits

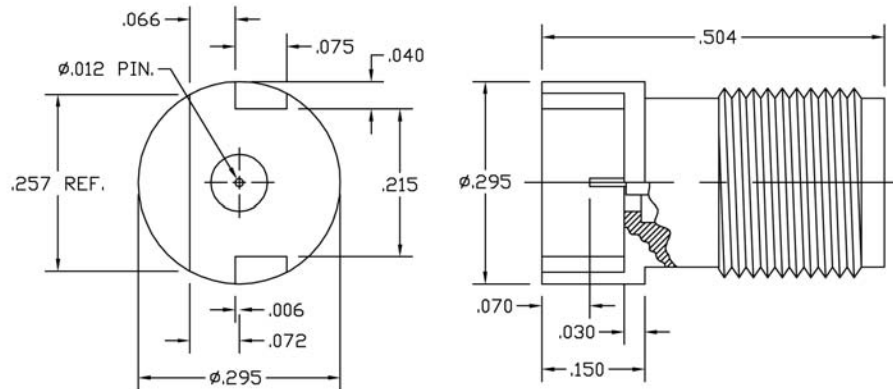
DC-50 GHz



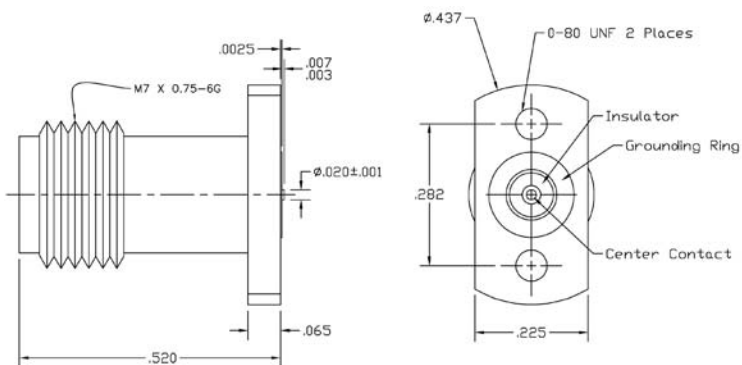
## 2.4mm Receptacles

**27-146-1000-40**  
2.4mm Jack PCB Mount

DC-50 GHz

**27-147-1000-41**  
2.4mm Jack Receptacle 2  
Hole Flange Mount

DC-50 GHz

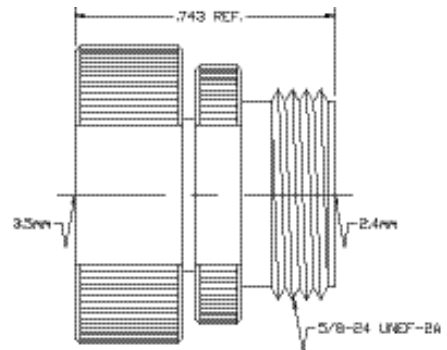


## 2.4mm Instrument Adapters

**26-923-1500-90**

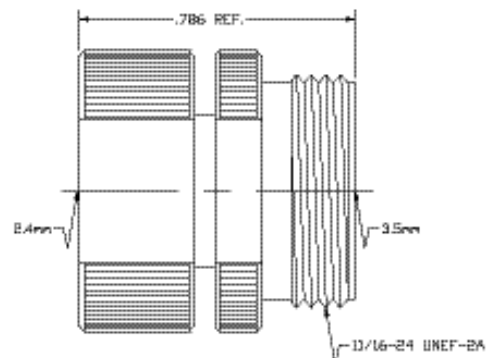
2.4mm Plug NMD to 3.5mm Jack NMD

DC-34.5 GHz

**27-922-1500-90**

2.4mm Jack NMD to 3.5mm Plug NMD

DC-34.5 GHz

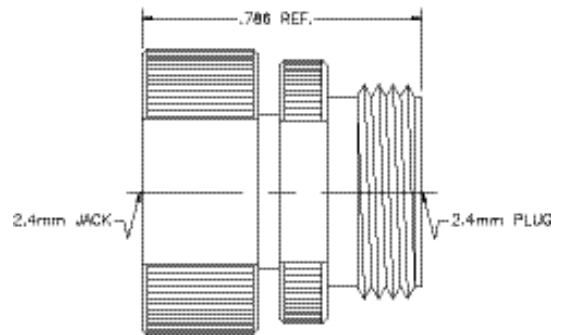


## 2.4mm Instrument Adapters

**26-927-1500-40**

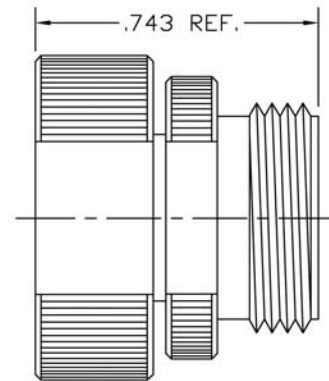
2.4mm Plug NMD to 2.4mm Jack NMD

DC-50 GHz

**26-923-1500-90**

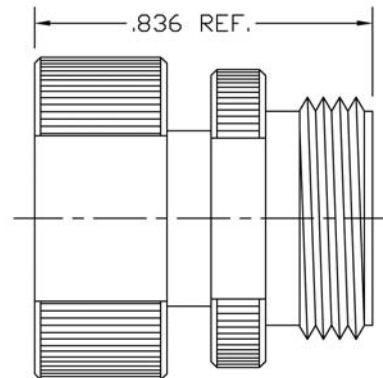
2.4mm Plug NMD to 3.5mm Jack NMD

DC-34.5 GHz

**26-927-1500-40**

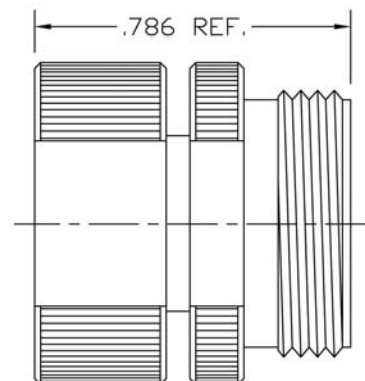
2.4mm Plug NMD to 2.4mm Jack NMD

DC-50 GHz

**27-922-1500-90**

2.4mm Jack NMD to 3.5mm Plug NMD

DC-34.5 GHz



## 2.9mm Design Specifications

### General

Materials:	SST, Corrosion-resistant, Non-magnetic 303, per ASTM A484 & A582. Beryllium Copper per ASTM-B-196, QQ-C-530, Oxide-noryl <sup>™</sup> , MIL-P-46129
Finish:	Center contacts and solder components shall be plated per MIL-G-45204 Type II, Class I over Nickel plate per QQ-N-290, Body & Body components shall be passivated per ASTM A380
Compatibility:	Mechanically compatible with 3.5mm and SMA connectors.

### Electrical Frequency:

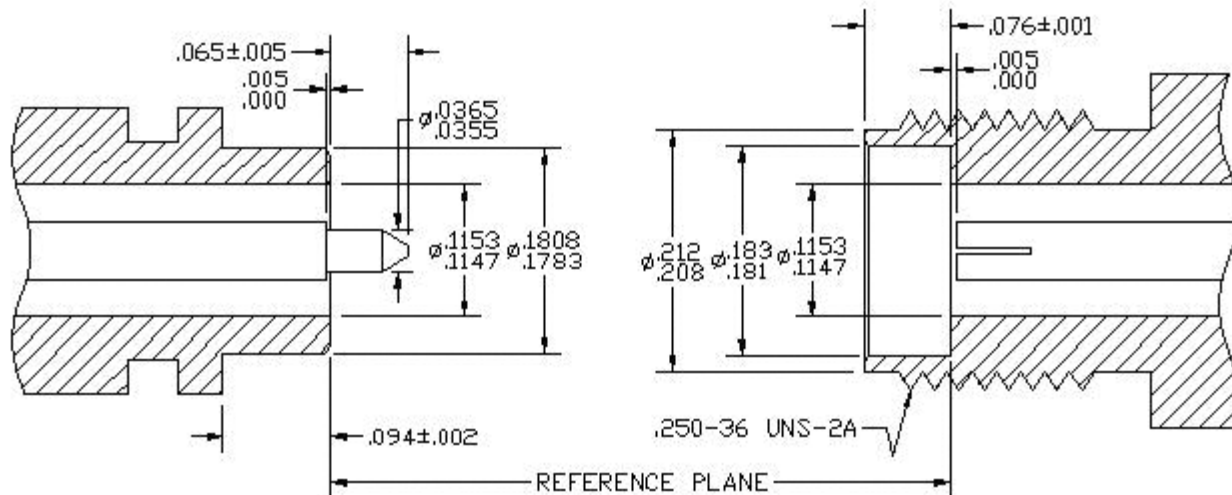
Nominal Impedance:	<b>DC-40 GHz</b>
Temperature Rating:	50 Ohms
VSWR:	-55° C to 100° C 1.25:1 to 40 GHz

### Mechanical

Connector Durability:	
Contact Torque:	500 cycles minimum 4.0 inch-ounces minimum
Coupling nut mating torque:	8-10 inch lbs.

### Environmental

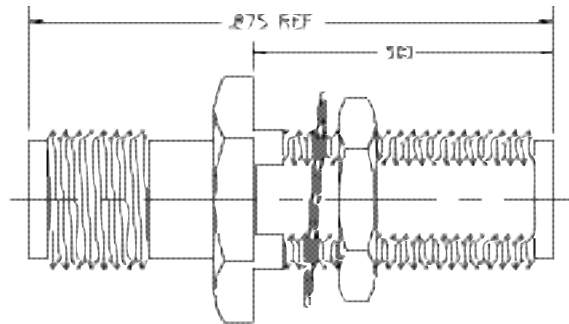
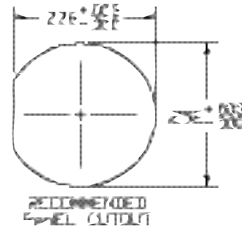
Corrosion (salt spray):	MIL-STD-202, method 101, test condition B 5% salt solution
Vibration High Frequency:	MIL-STD-202, method 204, test condition D (20 G's)



### 25-925-2000-90

2.9mm Jack to 2.9mm Jack  
Bulkhead Mount

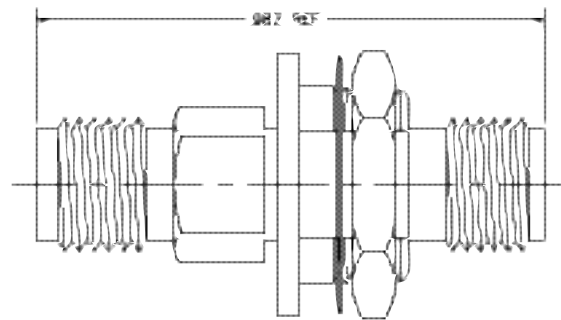
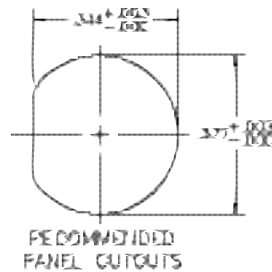
DC-40 GHz



### 25-925-3500-90

2.9mm Jack to 2.9mm Jack  
Bulkhead Mount

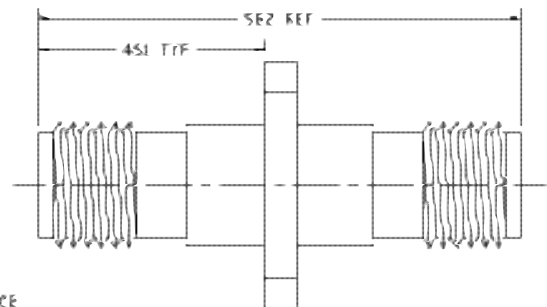
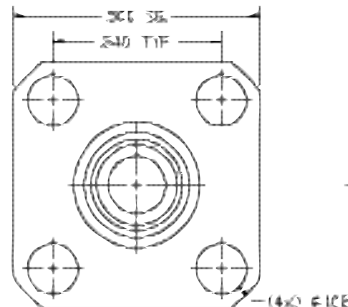
DC-40 GHz



### 25-925-4010-90

2.9mm Jack to 2.9mm Jack  
4 Hole Flange Mount

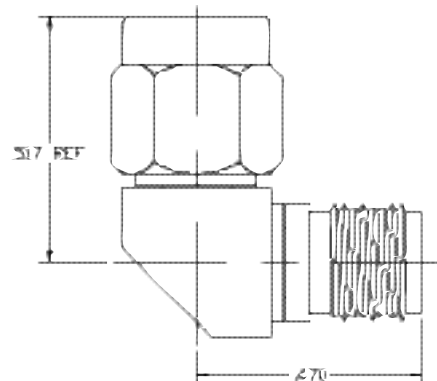
DC-40 GHz



### 24-925-2010-90

2.9mm Plug to 2.9mm Jack R/A

DC-40 GHz



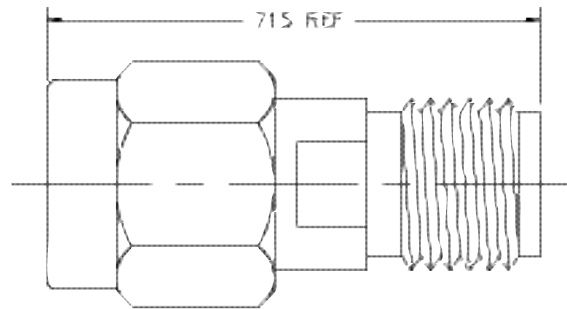


## 2.9mm In-Series Adapters

**24-925-0000-90**

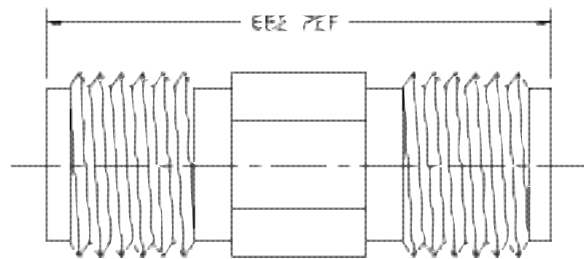
2.9mm Plug to 2.9mm Jack

DC-40 GHz

**25-925-0000-90**

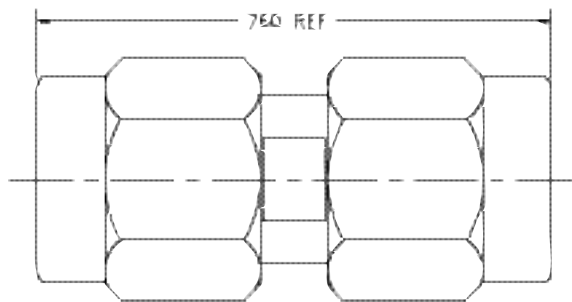
2.9mm Jack to 2.9mm Jack

DC-40 GHz

**24-924-0000-90**

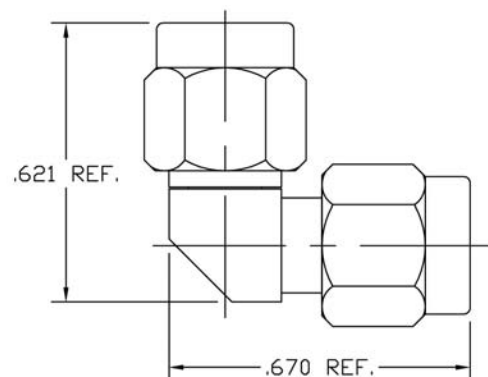
2.9mm Plug to 2.9mm Plug

DC-40 GHz

**24-924-2010-90**

2.9mm Plug to 2.9mm Plug R/A

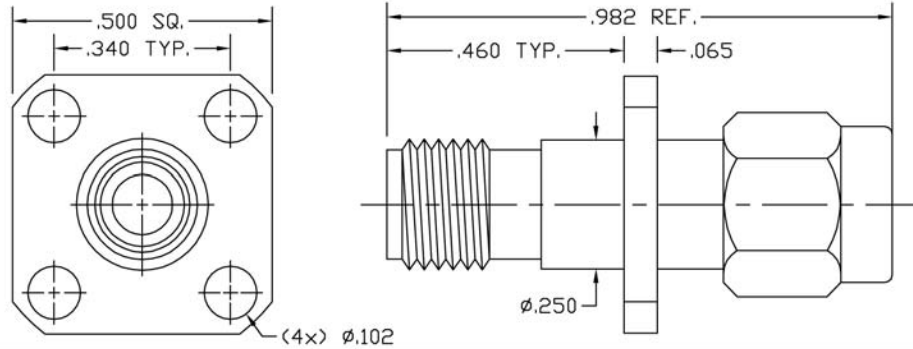
DC-40 GHz



## 24-925-3100-90

2.9mm Plug to 2.9mm Jack  
4 Hole Flange Mount

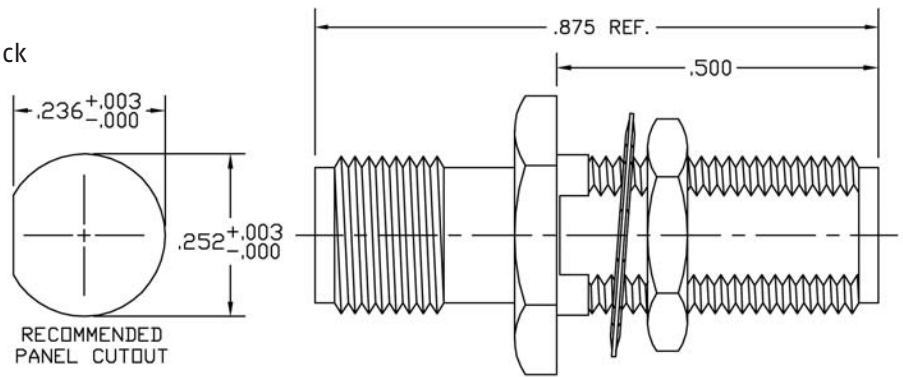
DC-40 GHz



## 25-925-2000-91

2.9mm Jack to 2.9mm Jack  
Bulkhead Mount  
(No O-Ring)

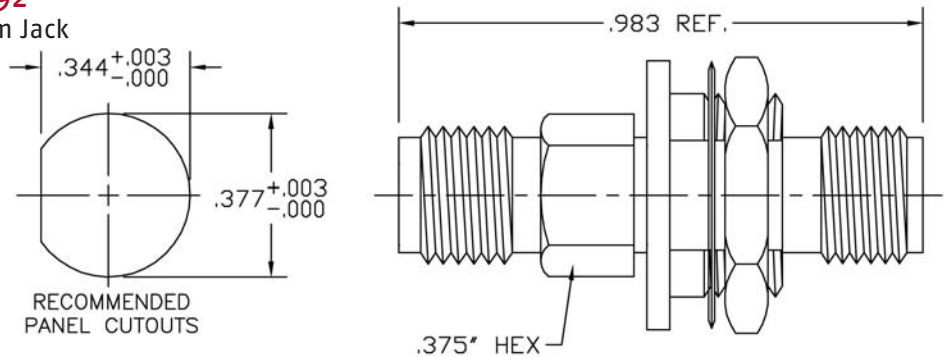
DC-40 GHz



## 25-925-2000-92

2.9mm Jack to 2.9mm Jack  
Bulkhead Mount

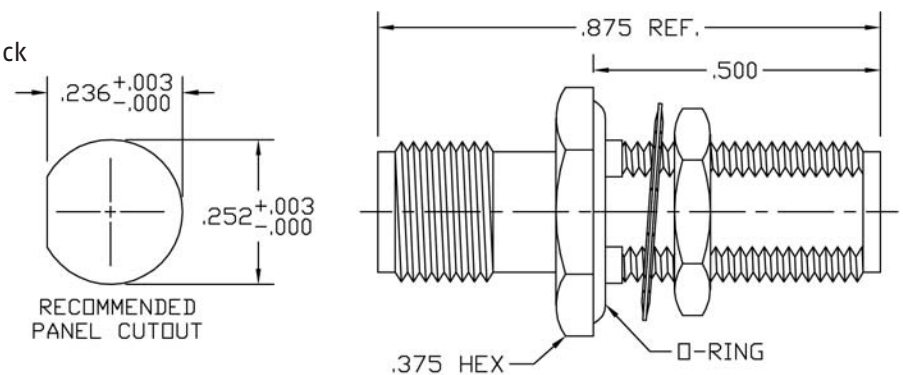
DC-32 GHz



## 25-925-2000-93

2.9mm Jack to 2.9mm Jack  
Bulkhead Mount

DC-40 GHz



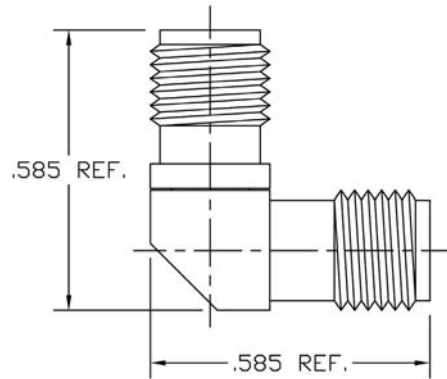
## 2.9mm In-Series Adapters



### 25-925-2010-90

2.9mm Jack to 2.9mm Jack R/A

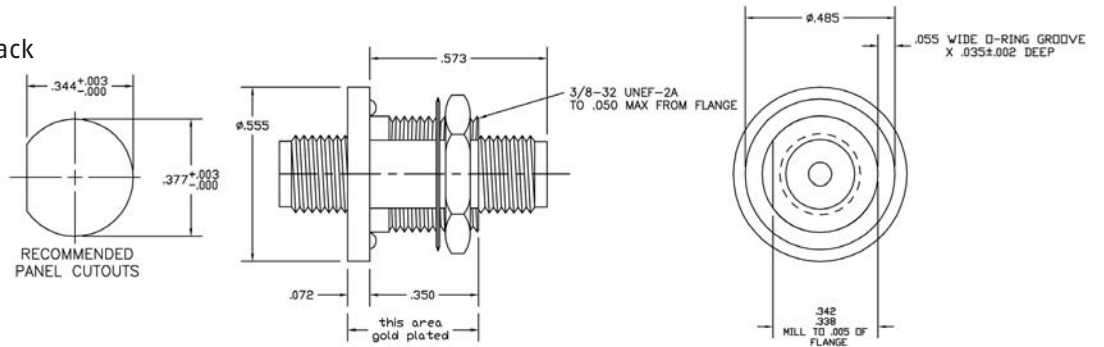
DC-40 GHz



### 25-925-2040-90

2.9mm Jack to 2.9mm Jack  
Hermetic Bulkhead

DC-40 GHz

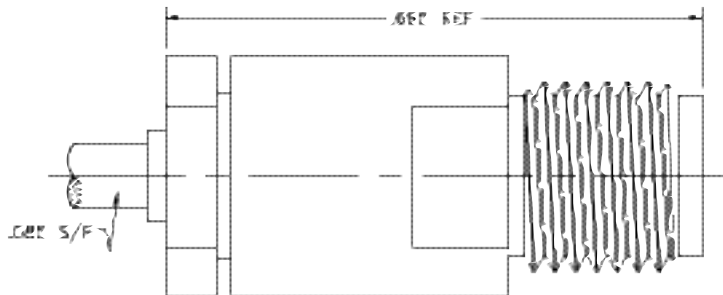


## 2.9mm Cable Connectors

### 25-000-1585-90

2.9mm Jack to .085 S/R Cable  
Solder Clamp

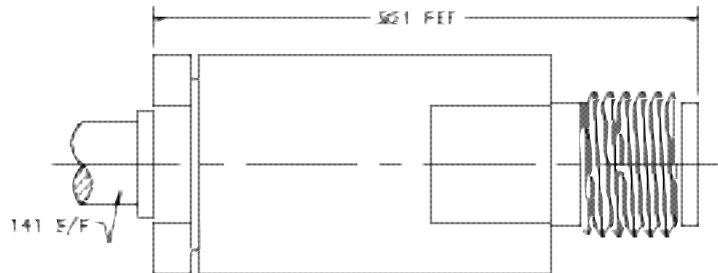
DC-40 GHz



### 25-000-1541-90

2.9mm Jack to .141 S/R Cable  
Solder Clamp

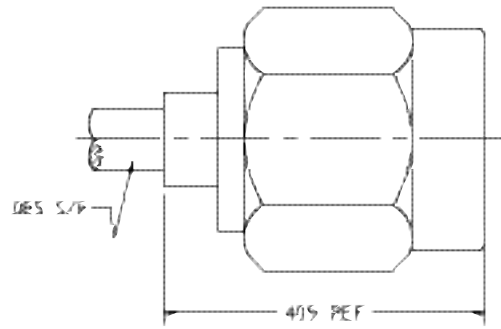
DC-40 GHz



### 24-000-1085-90

2.9mm Plug to .085 S/R Cable  
Direct Solder

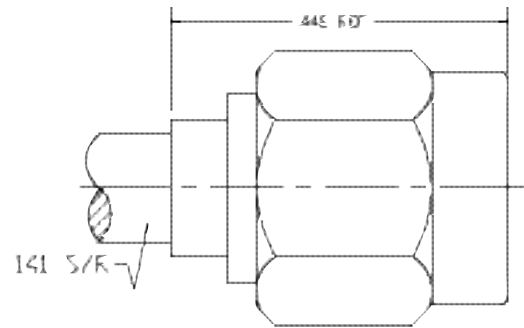
DC-40 GHz



### 24-000-1041-90

2.9mm Plug to .141 S/R Cable  
Direct Solder

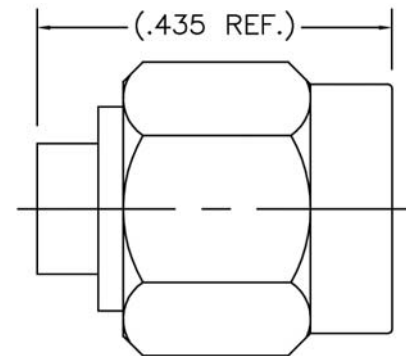
DC-40 GHz



### 24-000-1012-90

2.9mm Plug to UT120 Low Loss  
Direct Solder

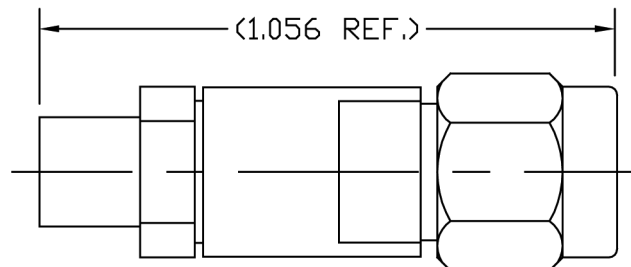
DC-40 GHz



### 24-000-1501-90

2.9mm Plug to IW1501  
Solder Clamp

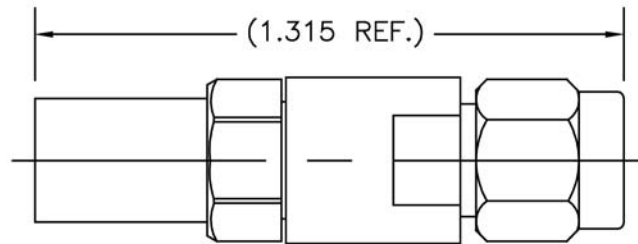
DC-40 GHz



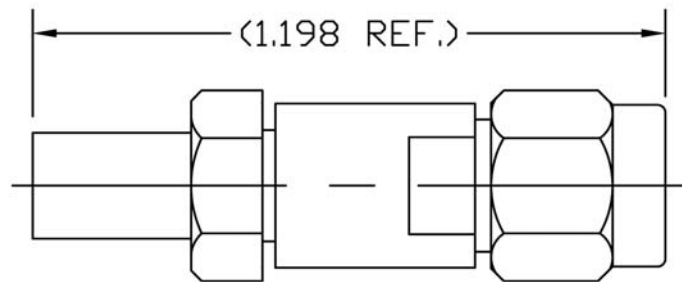
## 2.9mm Cable Connectors

**24-000-1503-90**2.9mm Plug to IW1503  
Solder Clamp

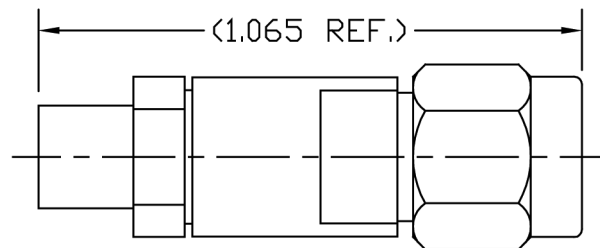
DC-40 GHz

**24-000-1516-90**2.9mm Plug to SFT-316  
Solder Clamp

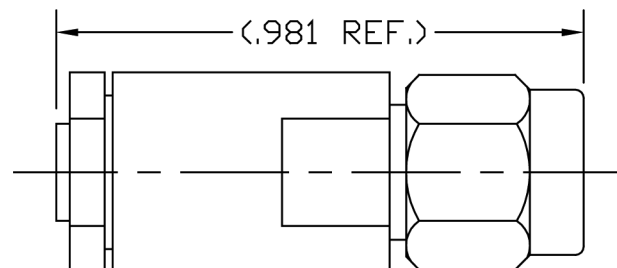
DC-40 GHz

**24-000-1523-0****0**  
2.9mm Plug to LL120  
Solder Clamp

DC-40 GHz

**24-000-1541-90**2.9mm Plug to .141 S/R  
Solder Clamp

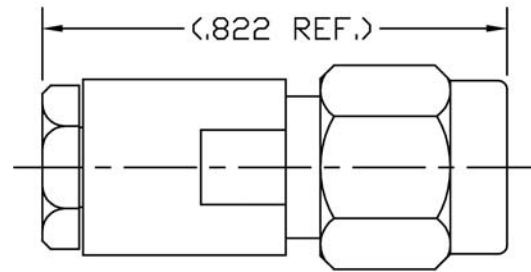
DC-34 GHz



### 24-000-1547-80

2.9mm Plug to .047 S/R  
Solder Clamp

DC-40 GHz

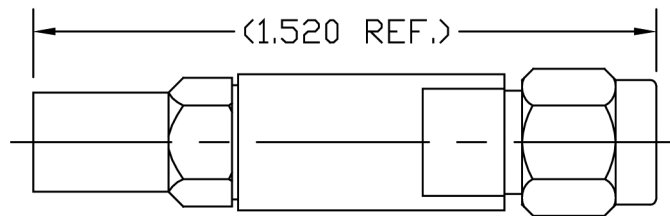


### 24-000-1563-9

0

2.9mm Plug to HP160  
Solder Clamp

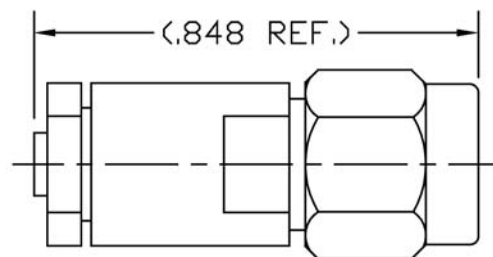
DC-40 GHz



### 24-000-1585-90

2.9mm Plug to .085 S/R  
Solder Clamp

DC-40 GHz

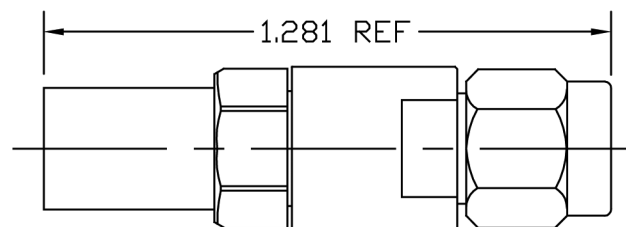


### 24-000-1597-9

0

2.9mm Plug to LL142  
Solder Clamp

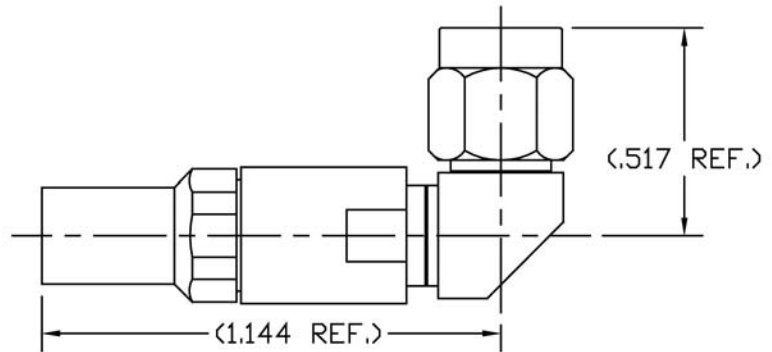
DC-40 GHz



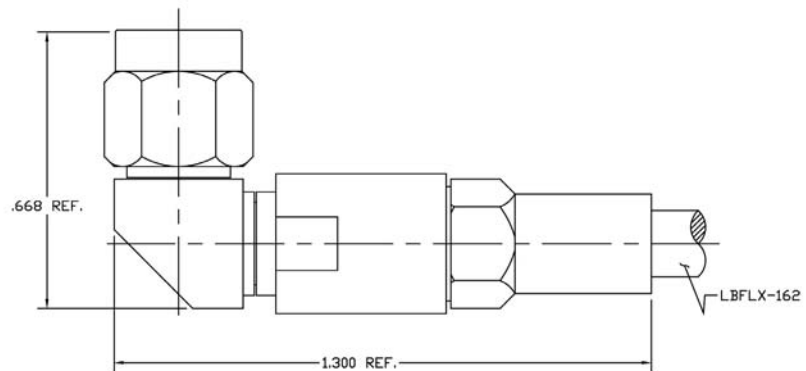
## 2.9mm Cable Connectors

**24-041-1501-90**2.9mm Plug R/A to IW1501  
Solder Clamp

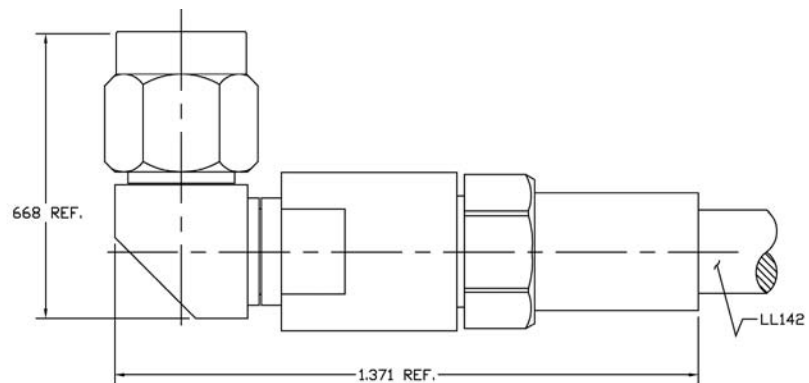
DC-40 GHz

**24-041-1562-90**2.9mm Plug R/A to Lab-Flex 162  
Solder Clamp

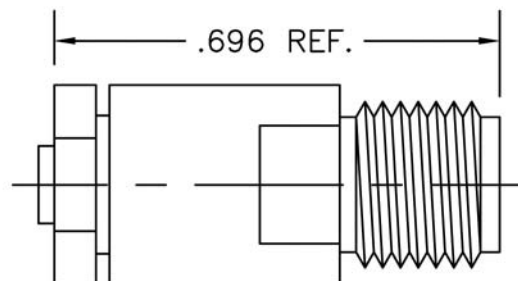
DC-40 GHz

**24-041-1597-90**2.9mm Plug R/A to LL142  
Solder Clamp

DC-40 GHz

**25-000-1508-90**2.9mm Jack to .085 Low Loss  
Solder Clamp

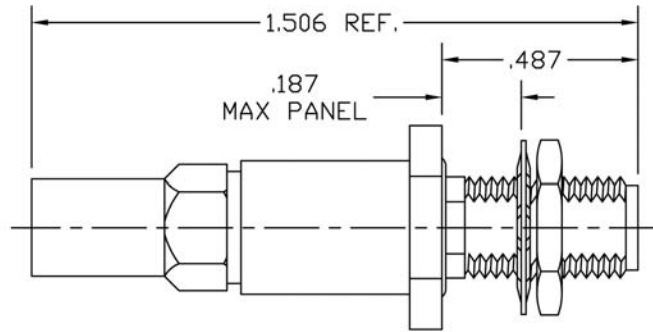
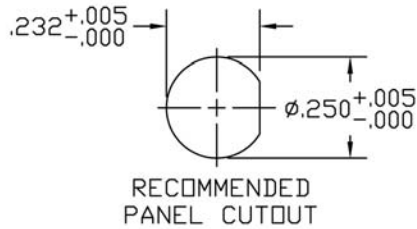
DC-40 GHz



## 2.9mm Cable Connectors

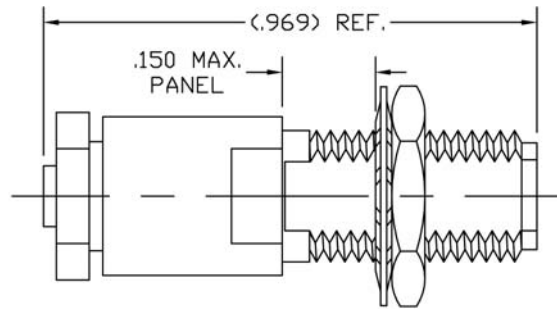
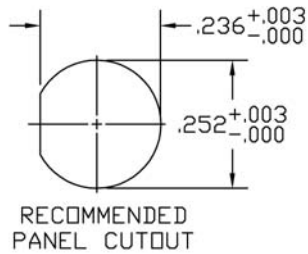
### 25-020-1563-90

2.9mm Jack Bulkhead to HP160  
Solder Clamp  
DC-40 GHz



### 25-020-1585-90

2.9mm Jack Bulkhead to .085 S/R  
Solder Clamp  
DC-40 GHz

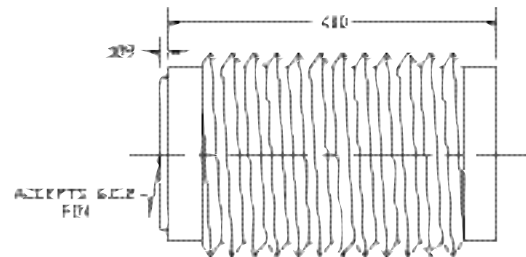


## 2.9mm Receptacles

### 25-145-1510-12

2.9mm Jack Receptacle  
(Sparkplug)

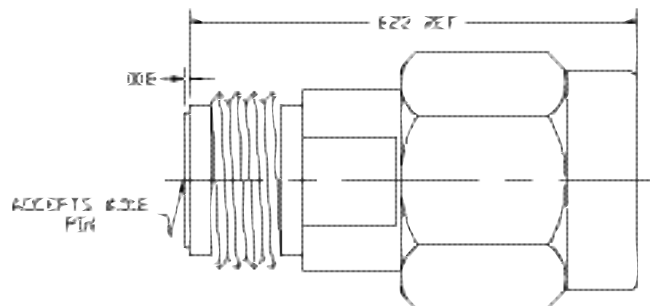
DC-40 GHz



### 24-145-1510-12

2.9mm Plug Receptacle  
(Sparkplug)

DC-40 GHz



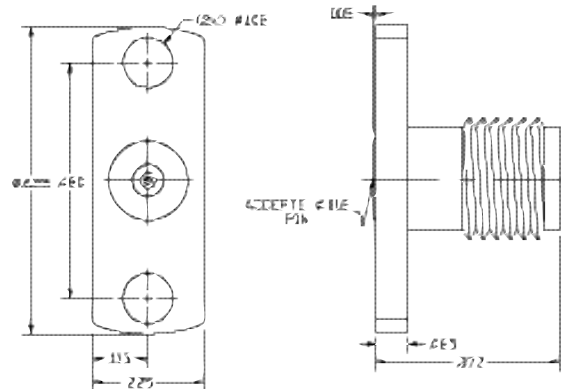


## 2.9mm Receptacles

### 25-130-1500-90

2.9mm Jack Receptacle  
2 Hole Flange Mount

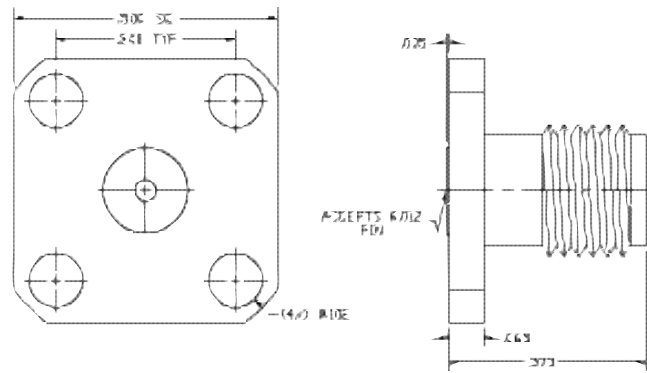
DC-40 GHz



### 25-131-1500-90

2.9mm Jack Receptacle  
4 Hole Flange Mount

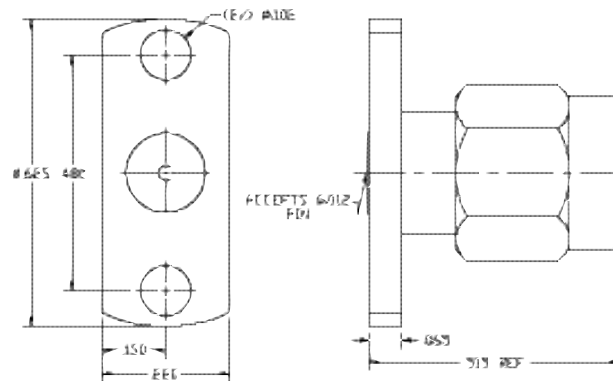
DC-40 GHz



### 24-130-1500-90

2.9mm Plug Receptacle  
2 Hole Flange Mount

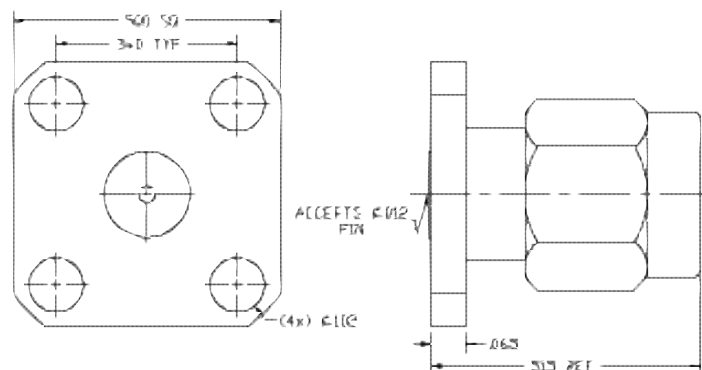
DC-40 GHz



### 24-131-1500-90

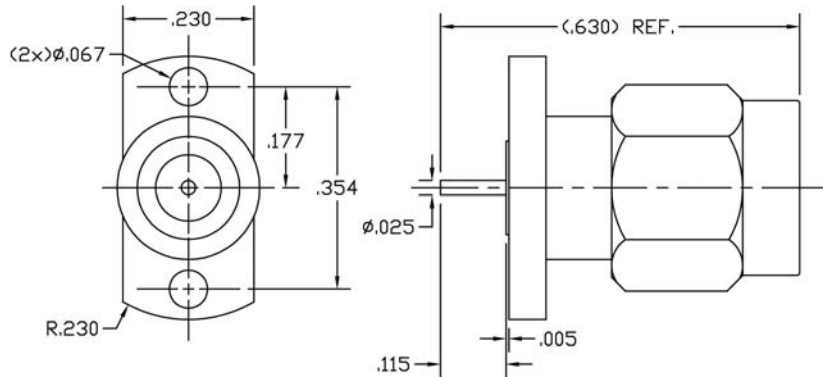
2.9mm Plug Receptacle  
4 Hole Flange Mount

DC-40 GHz



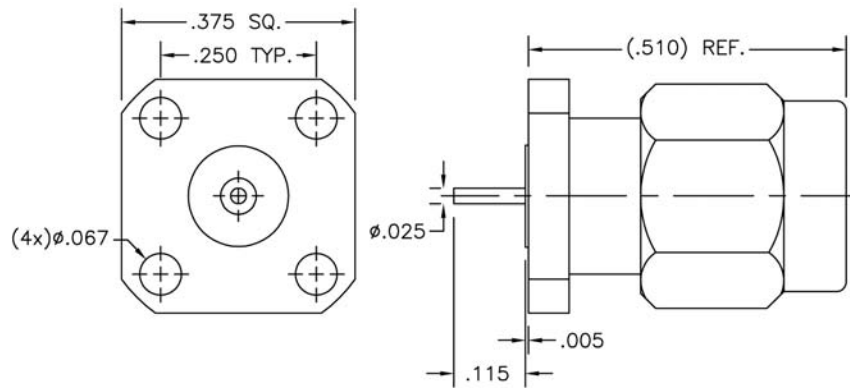
**24-130-1000-90**  
2.9mm Plug Receptacle  
2 Hole Flange Mount

DC-40 GHz



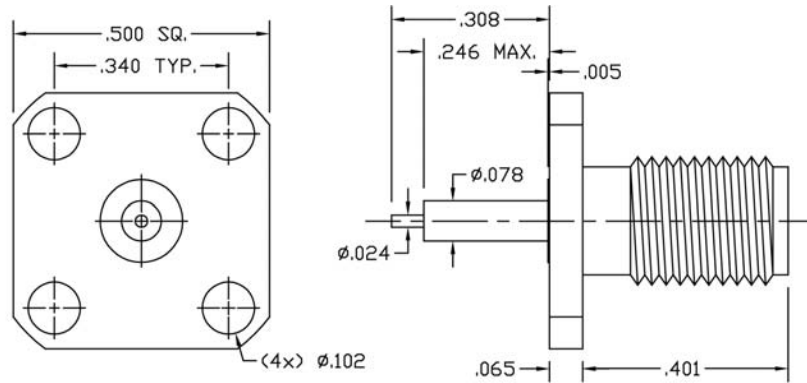
**24-131-1000-90**  
2.9mm Plug Receptacle  
4 Hole Flange Mount

DC-40 GHz



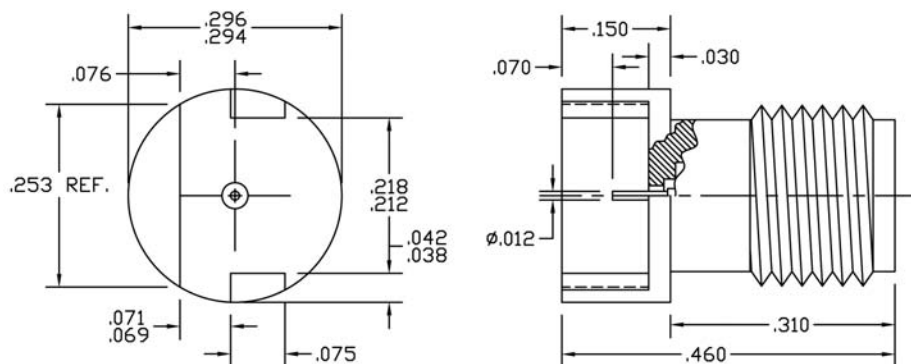
**25-131-1000-96**  
2.9mm Jack Receptacle  
4 Hole Flange Mount

DC-40 GHz



**25-146-1000-90**  
2.9mm Jack PCB Mount

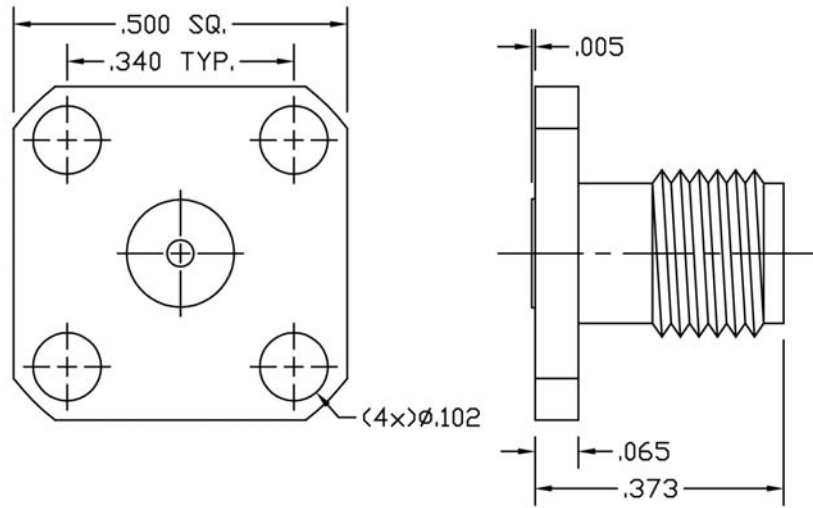
DC-40 GHz



## 2.9mm Receptacles

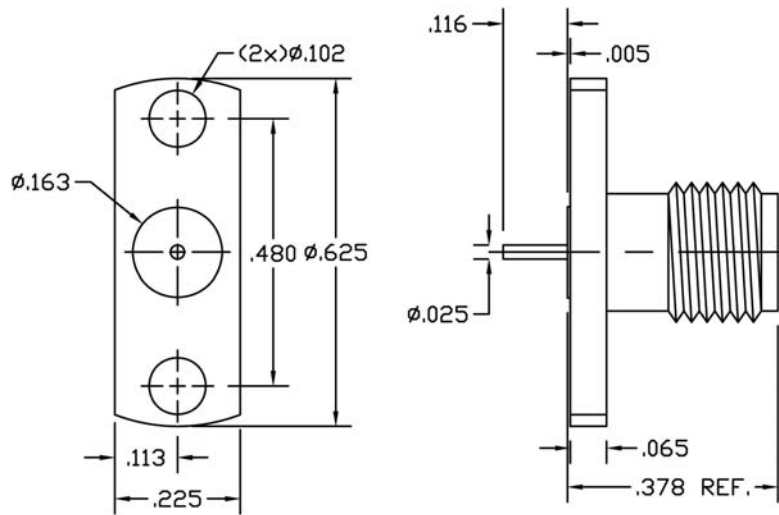
**25-131-1500-92**  
 2.9mm Jack Receptacle 4  
 Hole Flange Mount  
 Accepts .020 Diameter Pin

DC-40 GHz



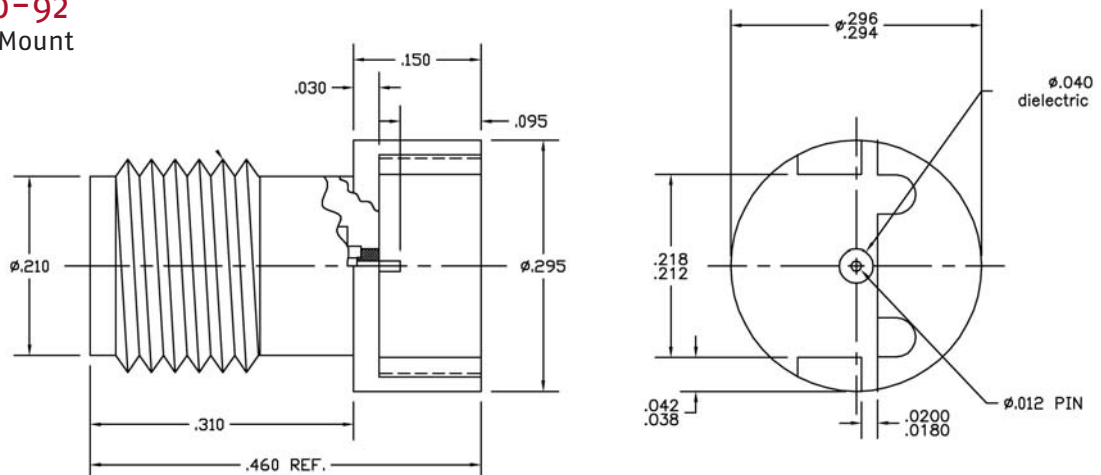
**25-130-1000-90**  
 2.9mm Jack Receptacle  
 2 Hole Flange Mount

DC-40 GHz



**25-146-1000-92**  
 2.9mm Jack PCB Mount

DC-50 GHz



**General**

**Materials:** SST, Corrosion-resistant, Non-magnetic 303, per ASTM A484 & A582, Beryllium Copper per ASTM-B-196, QQ-C-530, Rexolite 1422

**Finish:** Center contacts and solder components shall be plated per MIL-G-45204 Type II, Class I over Nickel plate per QQ-N-290, Body & Body components shall be passivated per ASTM A380

**Compatibility:** Mechanically compatible with 2.9mm and SMA connectors.

**Electrical Frequency:**

**Nominal Impedance:** *DC-34.5 GHz*

**Temperature Rating:** 50 Ohms

**VSWR:** -55° C to 100° C  
1.25:1 to 34.5 GHz

**Mechanical**

**Connector Durability:**

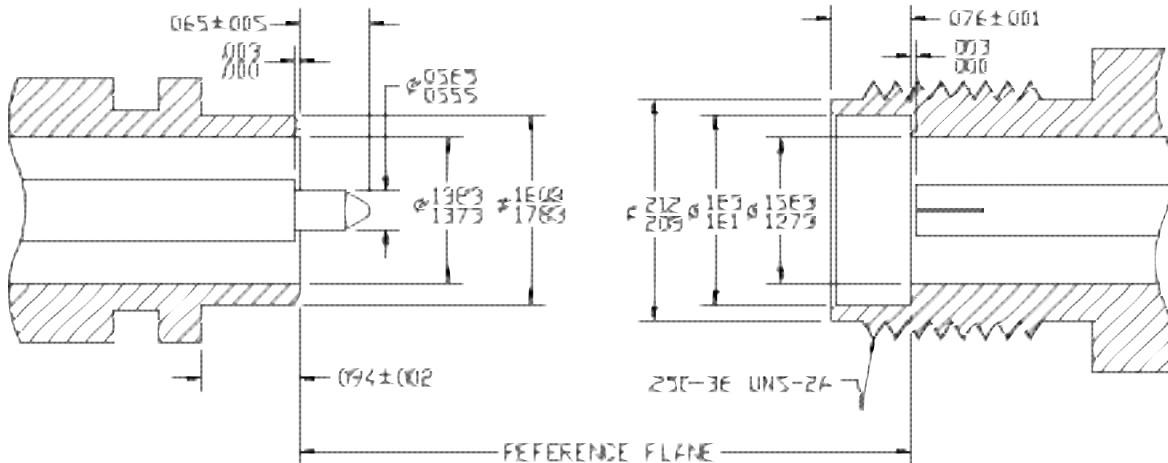
**Contact Torque:** 500 cycles minimum  
4.0 inch-ounces minimum

**Coupling nut mating torque:** 8-10 inch lbs.

**Environmental**

**Corrosion (salt spray):** MIL-STD-202, method 101, test condition B 5% salt solution

**Vibration High Frequency:** MIL-STD-202, method 204, test condition D (20 G's)



## 3.5mm In-Series Adapters

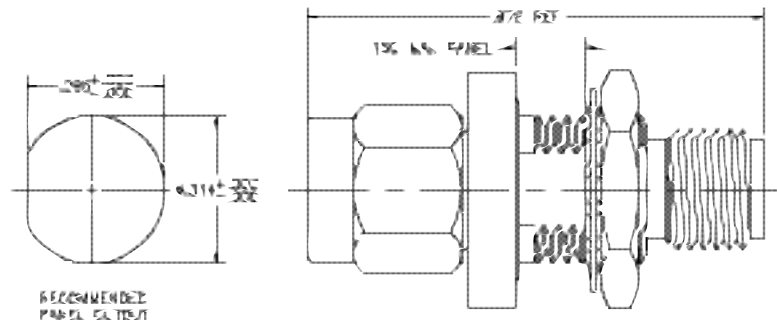


3.5mm

### 22-923-2000-30

3.5mm Plug to 3.5mm Jack  
Bulkhead Mount

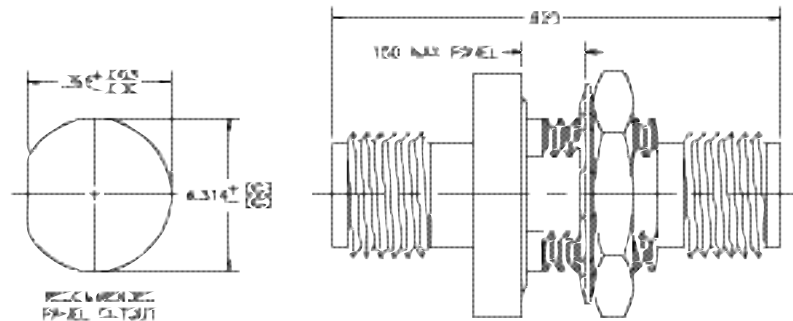
DC-34.5 GHz



### 23-923-2000-30

3.5mm Jack to 3.5mm Jack  
Bulkhead Mount

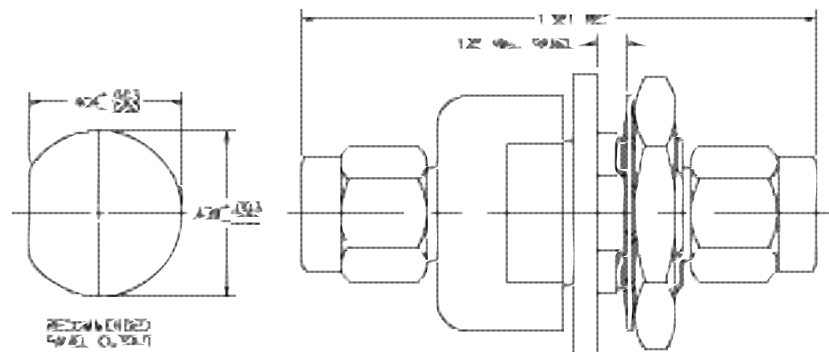
DC-34.5 GHz



### 22-922-3500-30

3.5mm Plug to 3.5mm Plug  
Bulkhead Mount

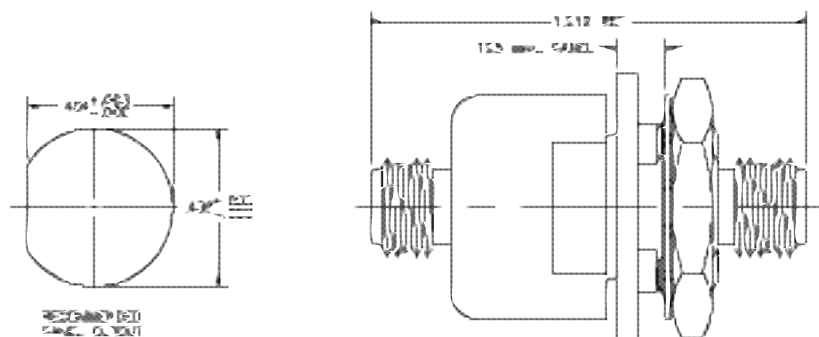
DC-34.5 GHz



### 23-923-3500-30

3.5mm Jack to 3.5mm Jack  
Bulkhead Mount

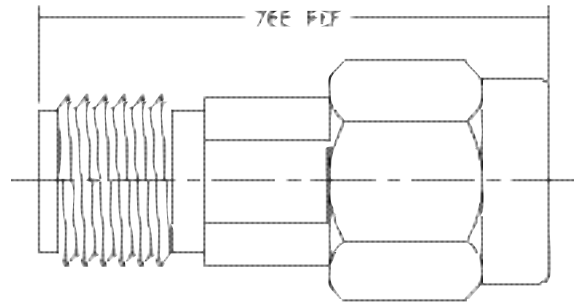
DC-34.5 GHz



## 22-923-0000-30

3.5mm Plug to 3.5mm Jack

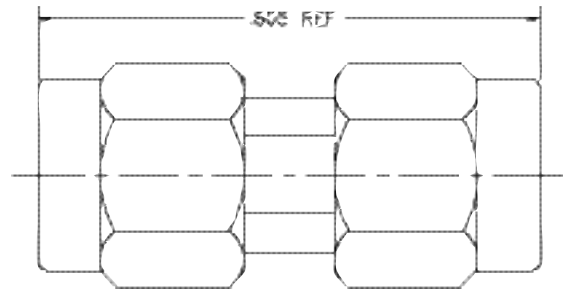
DC-34.5 GHz



## 22-922-0000-30

3.5mm Plug to 3.5mm Plug

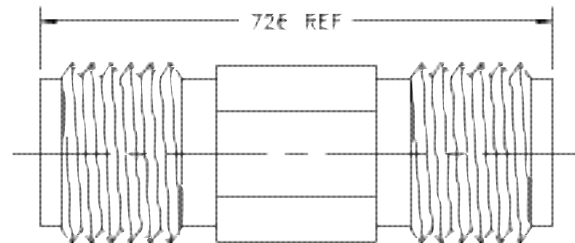
DC-34.5 GHz



## 23-923-0000-30

3.5mm Jack to 3.5mm Jack

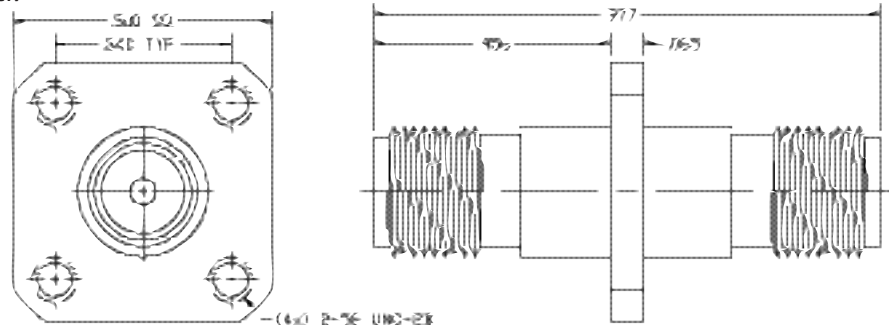
DC-34.5 GHz



## 23-923-3100-30

3.5mm Jack to 3.5mm Jack  
4 Hole Flange Mount

DC-34.5 GHz



## 3.5mm In-Series Adapters

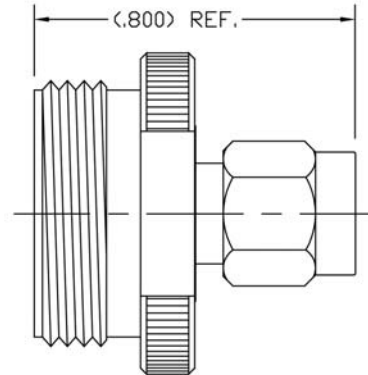


3.5mm

### 22-922-1500-30

3.5mm Plug to 3.5mm Plug NMD

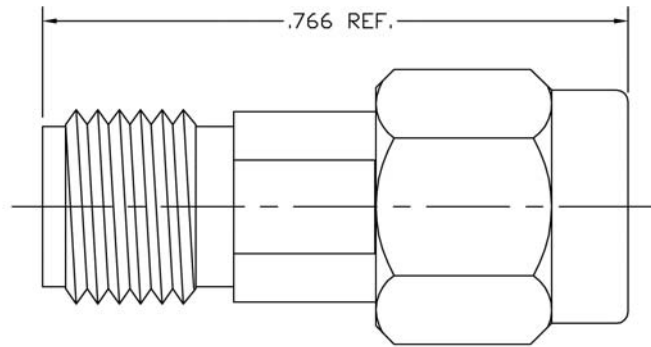
DC-34.5 GHz



### 22-923-0000-31

3.5mm Plug to 3.5mm Jack

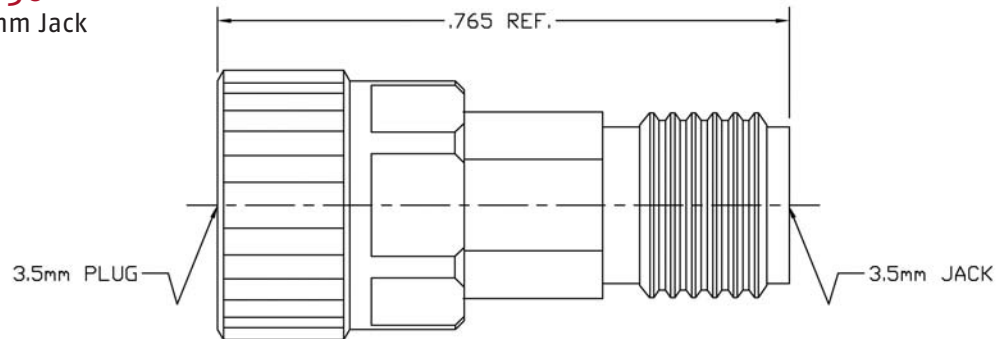
DC-34.5 GHz



### 23-923-0004-30

3.5mm Plug to 3.5mm Jack

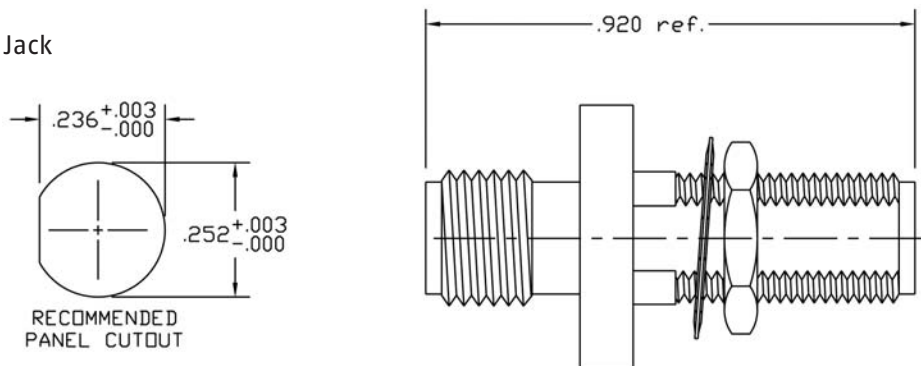
DC-34.5 GHz



### 23-923-2000-31

3.5mm Jack to 3.5mm Jack  
Bulkhead Mount

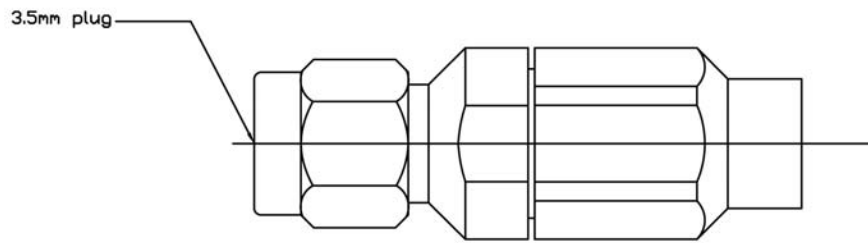
DC-34.5 GHz



## 22-000-1541-00

3.5mm Plug to .141 S/R  
Solder Clamp

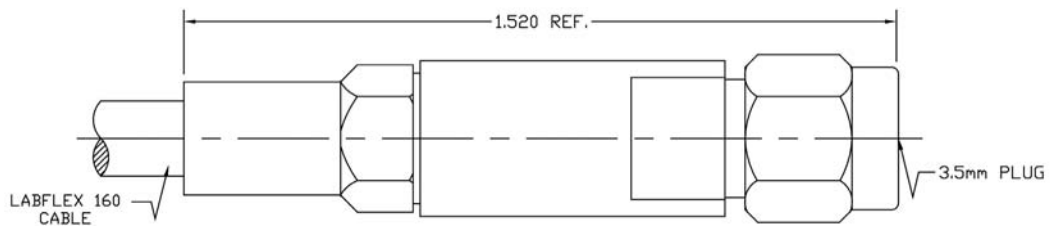
DC-34.5 GHz



## 22-000-1562-01

3.5mm Plug to Lab-Flex 160  
Solder Clamp

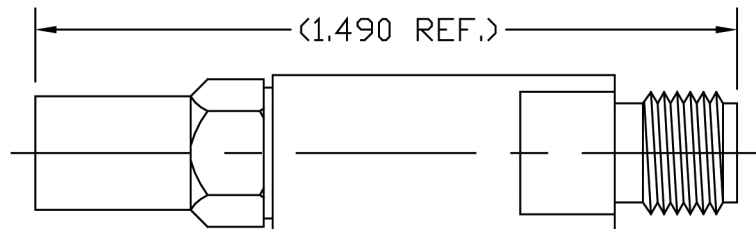
DC-34.5 GHz



## 23-000-1562-01

3.5mm Jack to Lab-Flex 160  
Solder Clamp

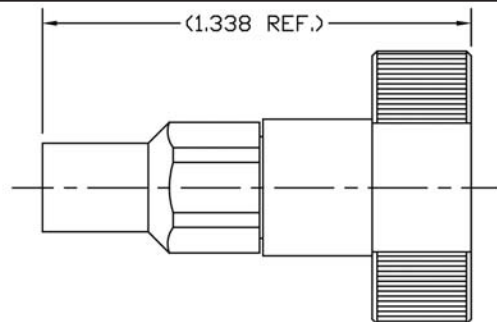
DC-34.5 GHz



## 23-005-1596-30

3.5mm Jack NMD to Storm PSC .190  
Solder Clamp

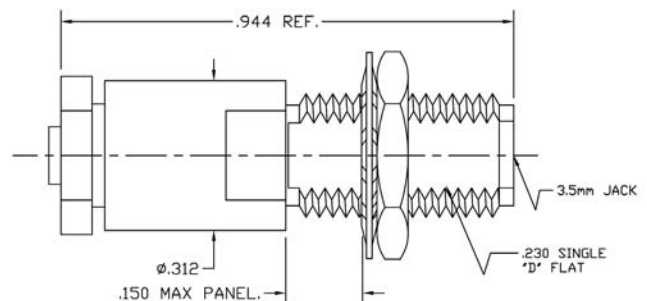
DC-34.5 GHz



## 23-020-1585-90

3.5mm Jack Bulkhead to .085 S/R  
Solder Clamp

DC-34.5 GHz





**General**

**Materials:** SST, Corrosion-resistant, Non-magnetic 303, per ASTM A484 & A582, Beryllium Copper per ASTM-B-196, QQ-C-530, Oxide Noryl™, MIL-P-46129, PTFE Fluorocarbon per ASTM-D-1710

**Finish:** Center contacts and solder components shall be plated per MIL-G-45204 Type II, Class I over Nickel plate per QQ-N-290, Body & Body components shall be passivated per ASTM A380

**Electrical Frequency:**

**Nominal Impedance:** *DC thru 18GHz*

**Temperature Rating:** 50 Ohms

**VSWR:** -55° C to 100° C  
1.15:1 to 18GHz

**Mechanical**

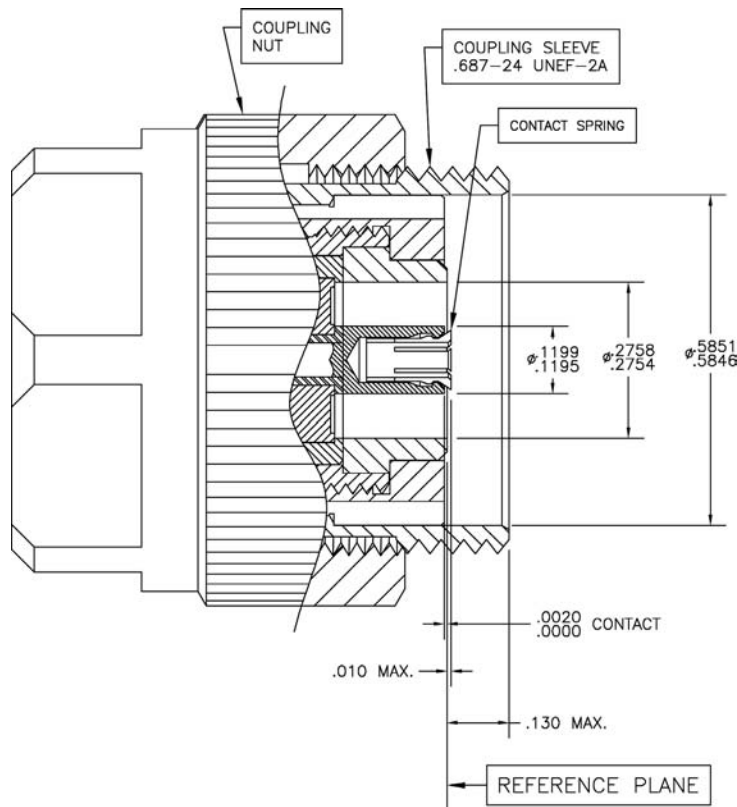
**Connector Durability:** 500 mating cycles minimum

**Coupling Nut Mating Torque:** 14-18 in.lbs.f.

**Environmental**

**Corrosion (salt spray):** MIL-STD-202, method 101, test condition B 5% salt solution

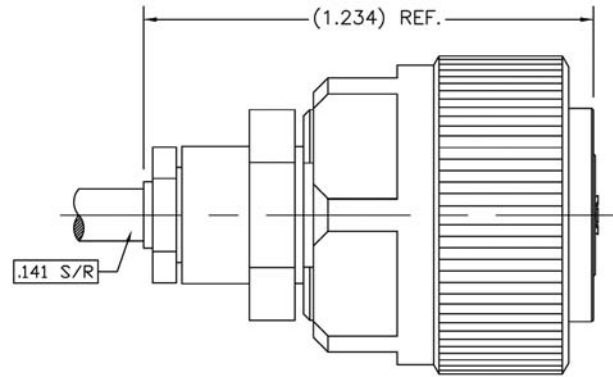
**Vibration High Frequency:** MIL-STD-202, method 204, test condition D (20 G's)



**93-000-1541-70**

7mm to .141 S/R Solder  
Clamp

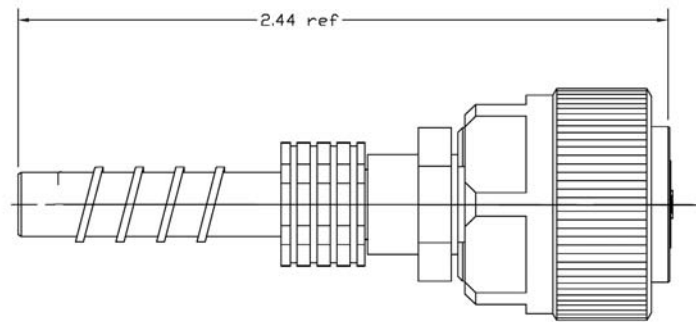
DC-18 GHz



**93-000-1559-71**

7mm to SF142B Solder  
Clamp

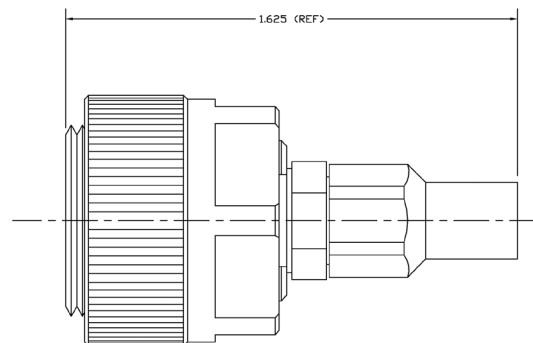
DC-18 GHz



**93-000-1596-70**

7mm to Storm PSC .190  
Solder Clamp

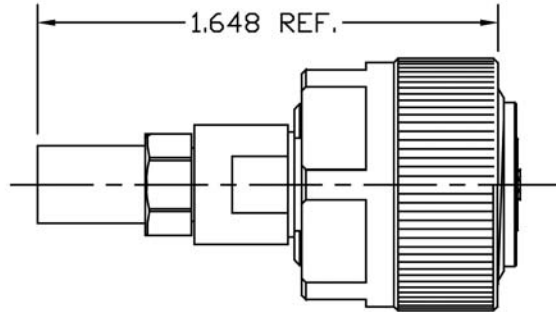
DC-18 GHz



**93-000-1597-00**

7mm to LL142  
Solder Clamp

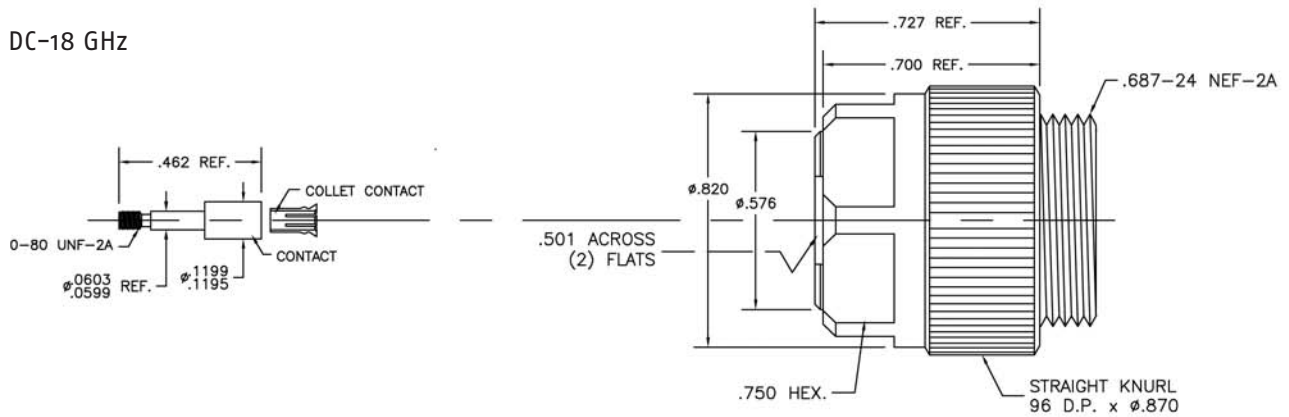
DC-18 GHz



**93-000-0000-00**

APC7 Adaptor Assembly

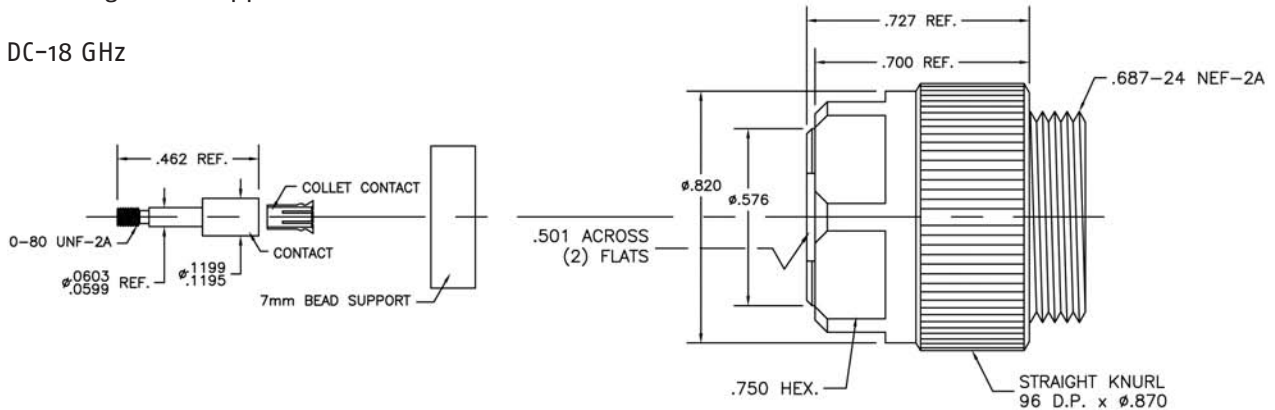
DC-18 GHz



**93-000-0000-70**

APC7 Adaptor Assembly  
Including Teflon Support Bead

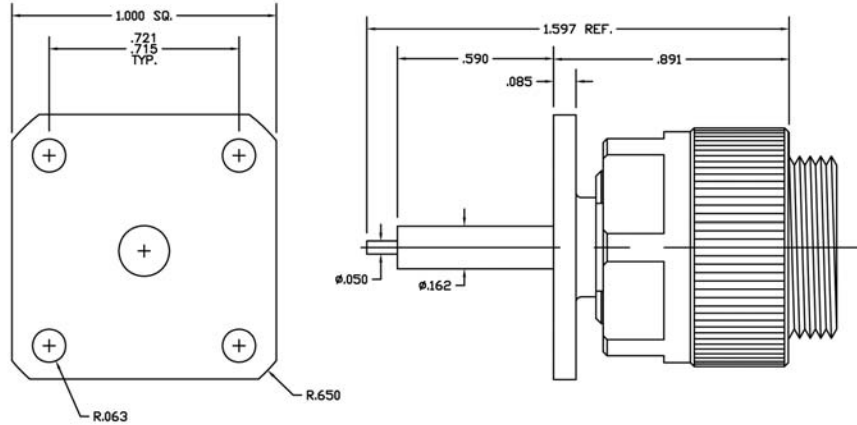
DC-18 GHz



**93-131-1000-71**

7mm Receptacle  
4 Hole Flange Mount

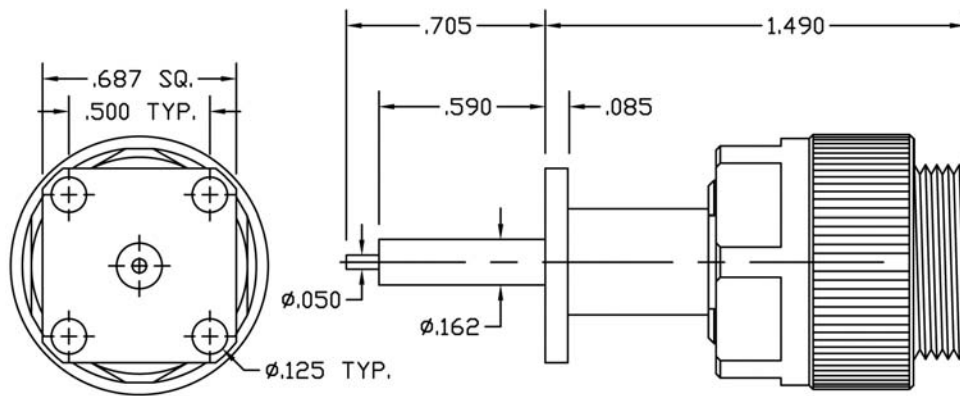
DC-18 GHz



**93-131-1000-72**

7mm Receptacle 4 Hole Flange

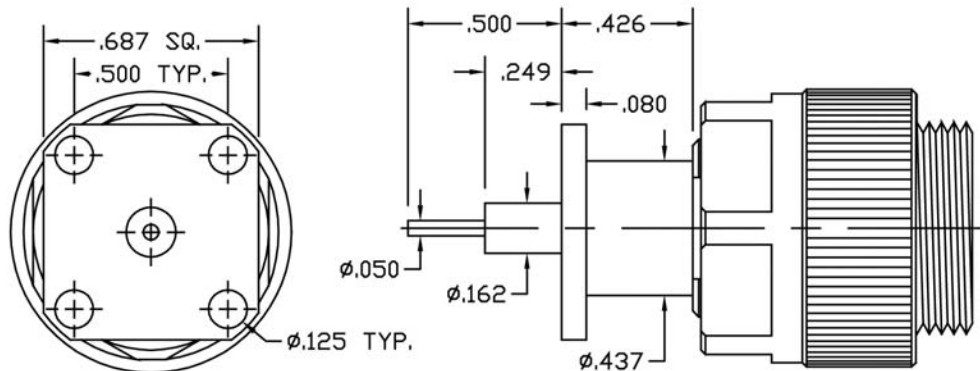
DC-18 GHz



**93-131-1000-73**

7mm Receptacle 4 Hole Flange

DC-18 GHz

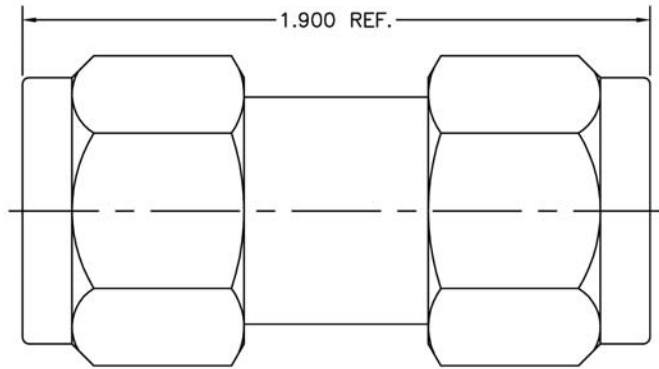




**52-952-0003-00**

N Plug to N Plug

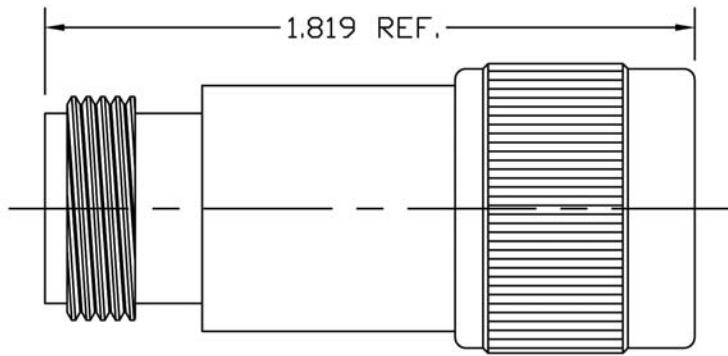
DC-18 GHz



**52-953-0000-00**

N Plug to N Jack

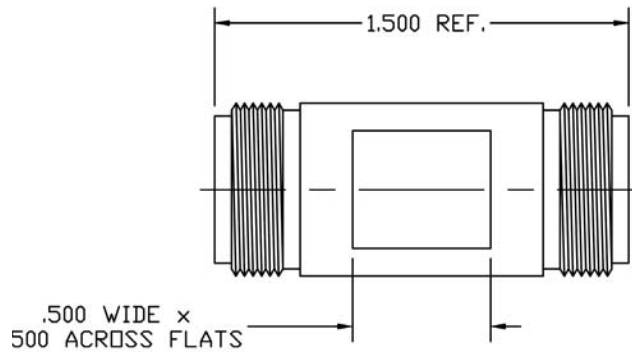
DC-18 GHz



**53-953-0000-70**

N Jack to N Jack

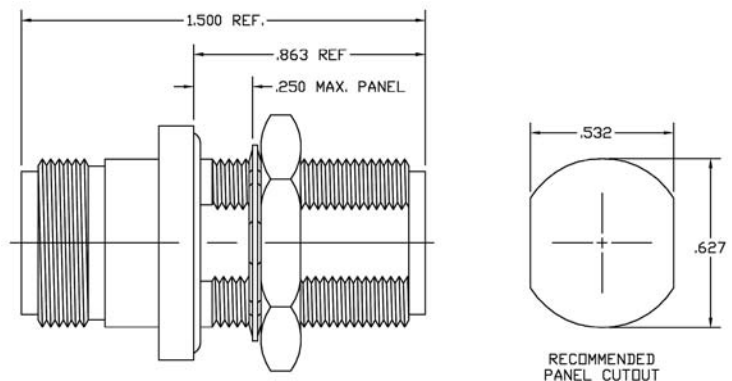
DC-18 GHz



**53-953-2040-60**

N Jack to N Jack Bulkhead  
(Hermetically Sealed)

DC-18 GHz

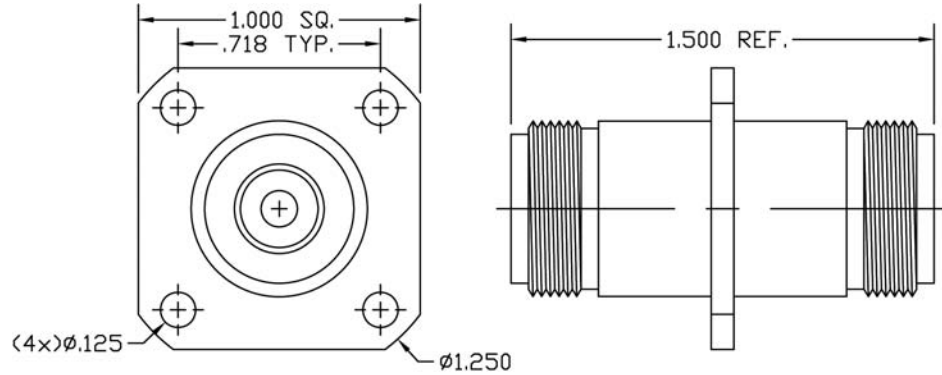


## N In-Series Adaptors

### 53-953-3100-70

N Jack to N Jack  
4 Hole Flange Mount

DC-18 GHz

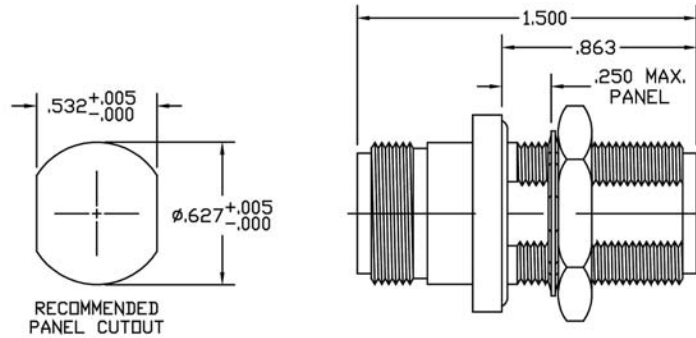


Z

### 53-953-3500-00

N Jack to N Jack  
Bulkhead Mount

DC-18 GHz

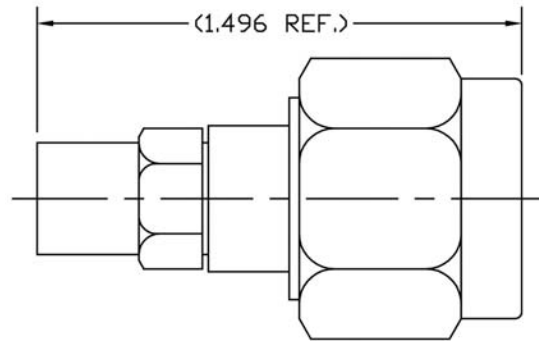


## N Cable Connectors

### 52-000-1529-00

N Plug to HP290 Solder  
Clamp

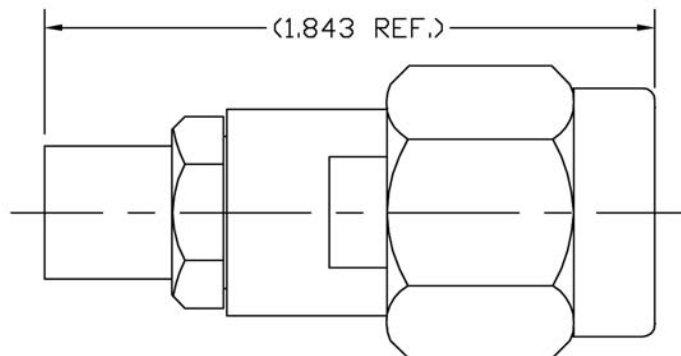
DC-15 GHz



### 52-000-1531-00

N Plug to Heli-Foil 290  
Solder Clamp

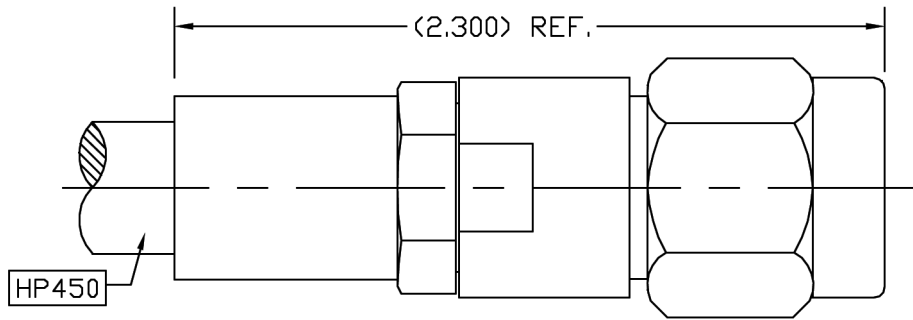
DC-18 GHz



**52-000-1542-00**

N Plug to HP450  
Solder Clamp

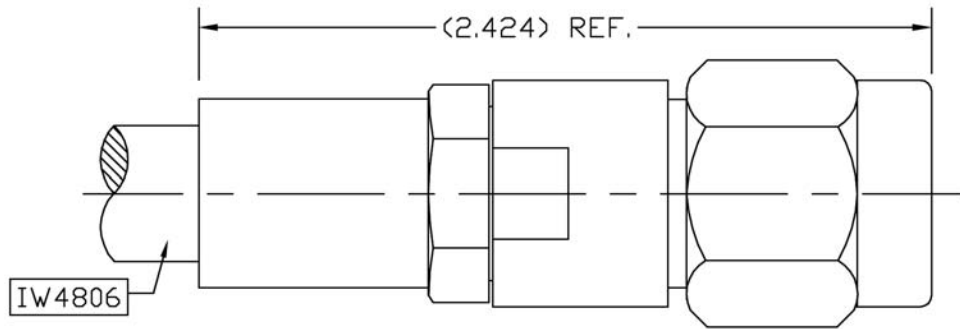
DC-12 GHz



**52-000-1580-00**

N Plug to IW4806  
Solder Clamp

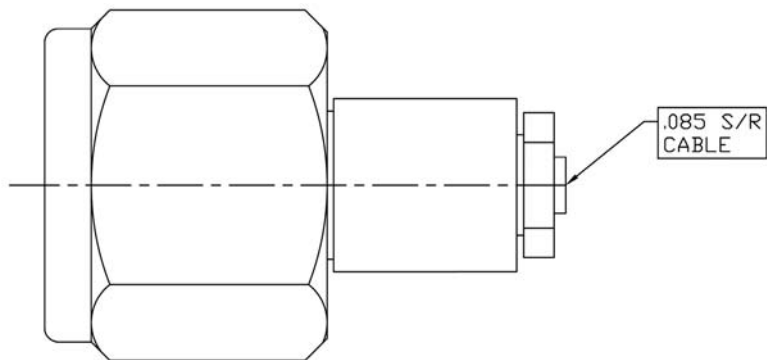
DC-12 GHz



**52-000-1585-00**

N Plug to .085 S/R  
Solder Clamp

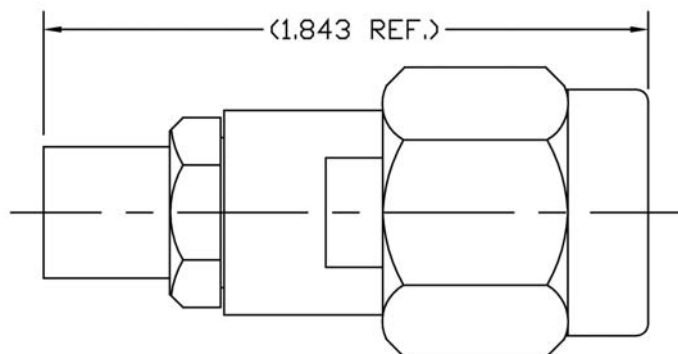
DC-18 GHz



**52-000-1598-00**

N Plug to LA290  
Solder Clamp

DC-18 GHz

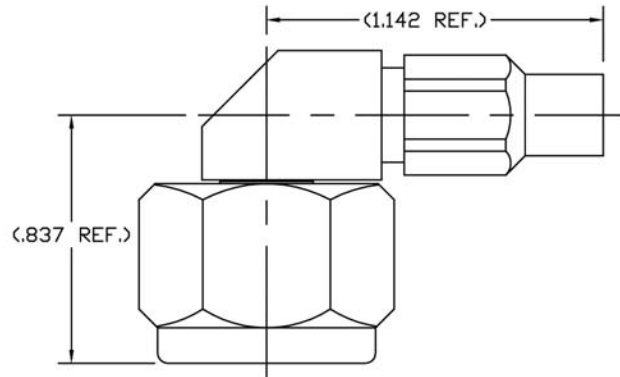




**52-041-1597-00**

N Plug R/A to LL142  
Solder Clamp

DC-18 GHz

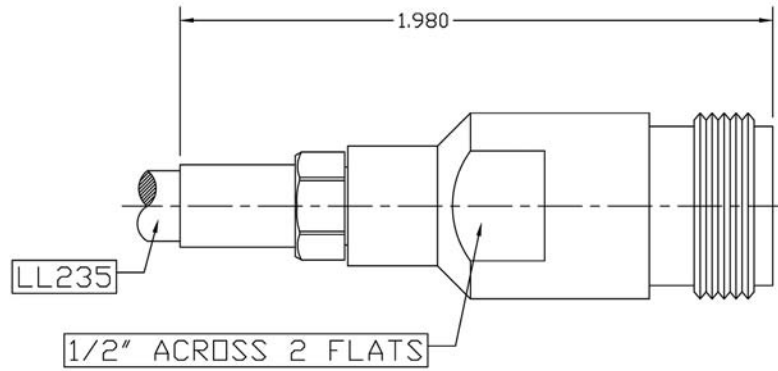


Z

**53-000-1536-00**

N Jack to LL235 Solder  
Clamp

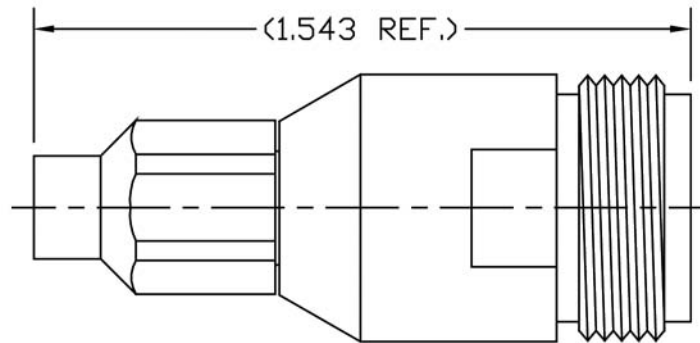
DC-18 GHz



**53-000-1541-00**

N Jack to .141 S/R Solde  
Clamp

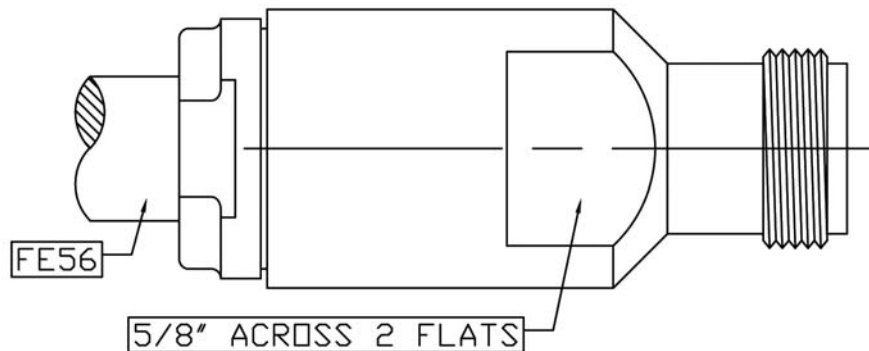
DC-18 GHz



**53-000-1568-00**

N Jack to FE56 Solder  
Clamp

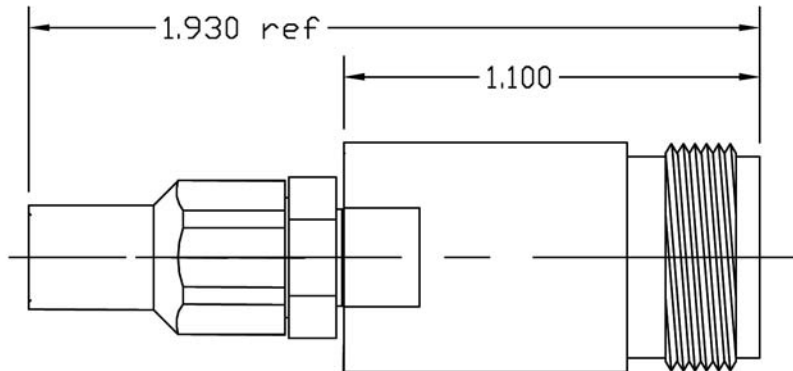
DC-18 GHz



**53-000-1590-70**

N Jack to HP190 Solder Clamp

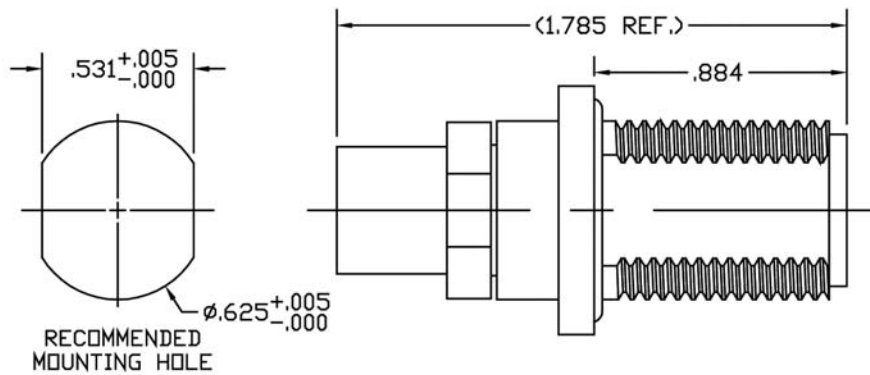
DC-18 GHz



**53-020-1535-00**

N Jack Bulkhead to LL335 Solder Clamp

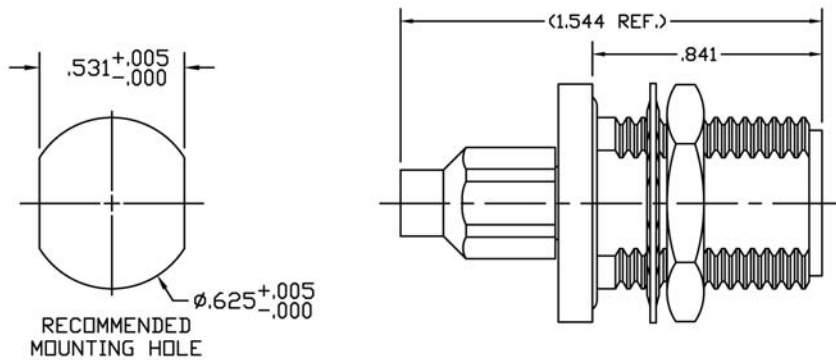
DC-18 GHz



**53-020-1541-00**

N Jack Bulkhead to .141 S/R Solder Clamp

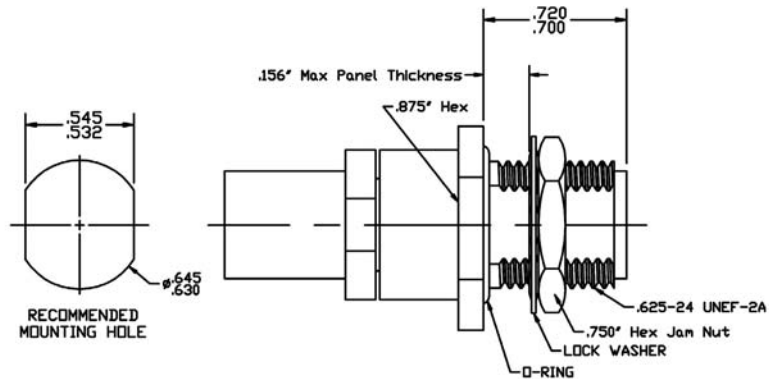
DC-18 GHz



**53-020-1542-00**

N Jack Bulkhead to HP450 Solder Clamp

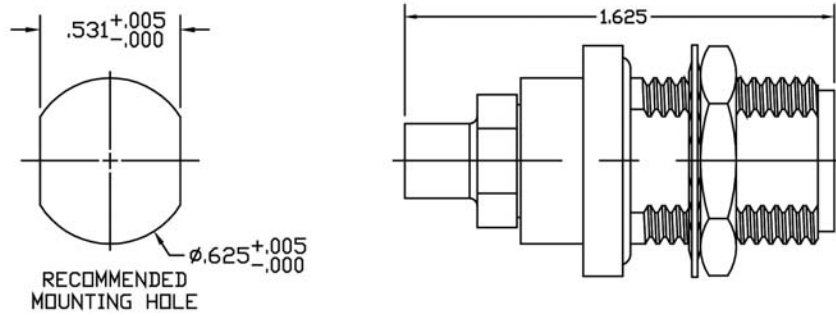
DC-18 GHz



**53-020-1559-00**

N Jack Bulkhead to SF142B  
Solder Clamp

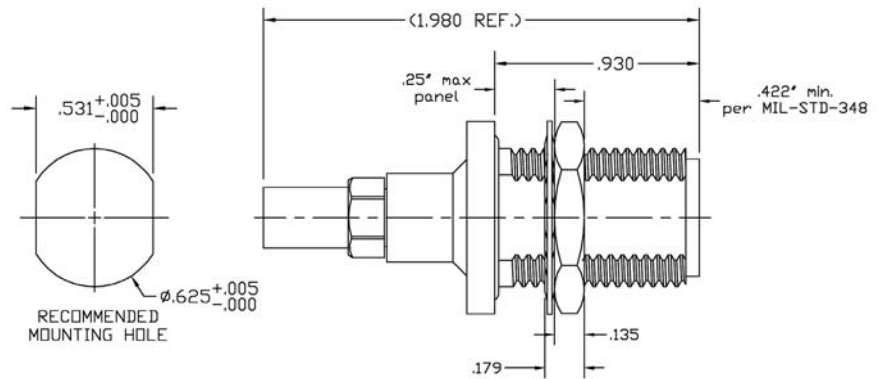
DC-18 GHz



**53-020-1569-00**

N Jack Bulkhead to FA20X  
Solder Clamp

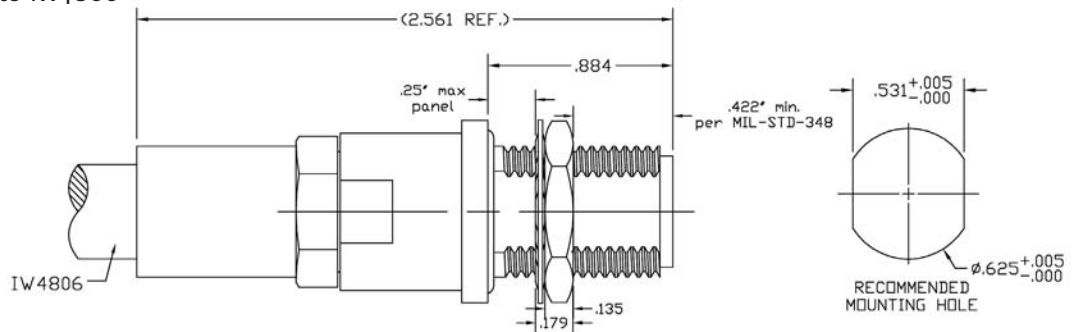
DC-18 GHz



**53-020-1580-00**

N Jack Bulkhead to IW4806  
Solder Clamp

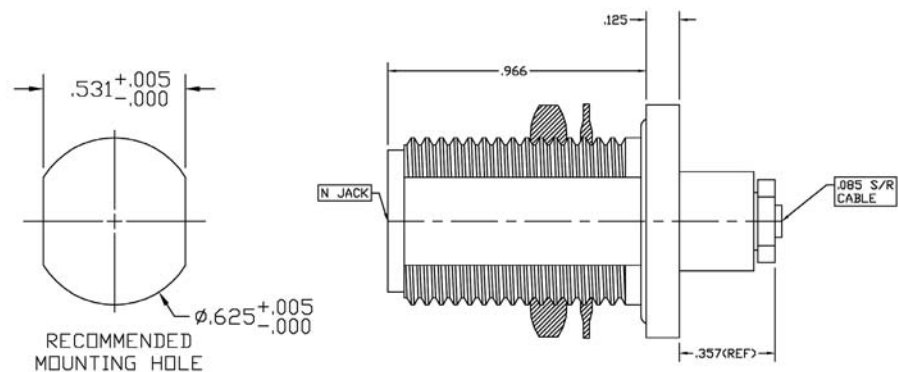
DC-18 GHz



**53-020-1585-0**

**O**  
N Jack to .085 S/R  
Solder Clamp

DC-18 GHz

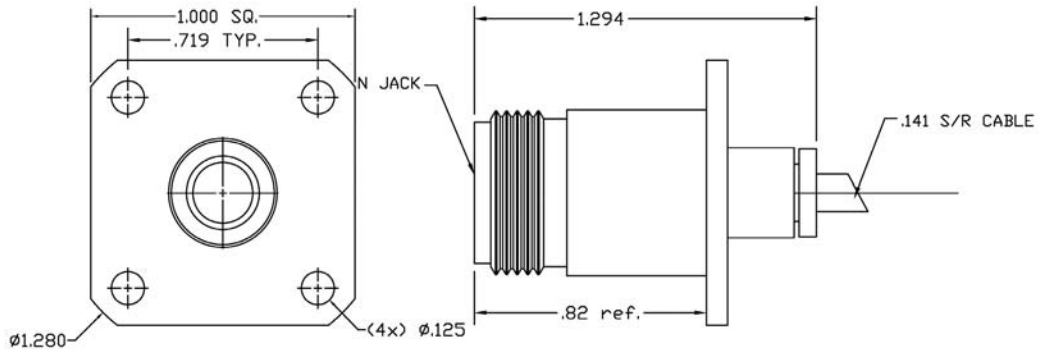


Z

**53-031-1541-00**

N Jack to .141 S/R  
4 Hole Flange Mount  
Solder Clamp

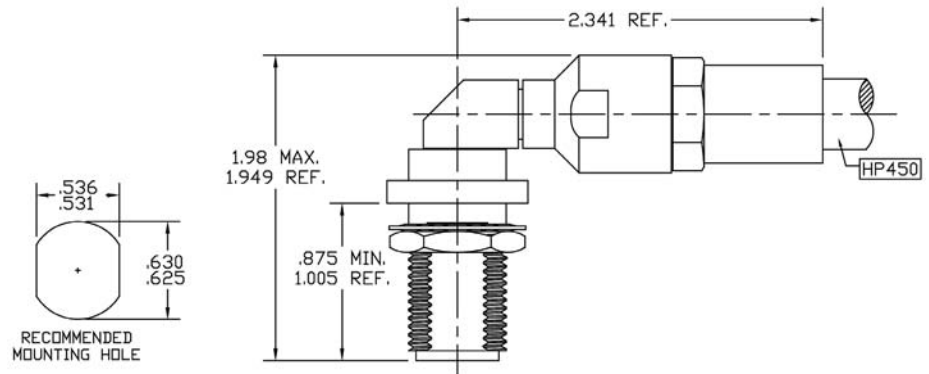
DC-18 GHz



**53-041-1542-00**

N Jack Bulkhead R/A to HP450  
Solder Clamp

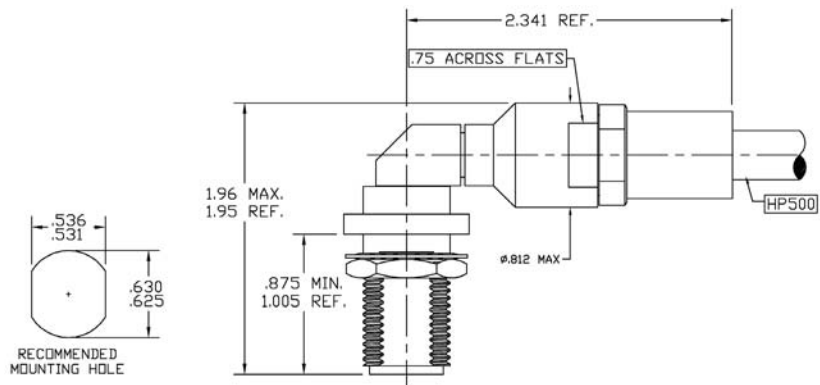
DC-18 GHz



**53-041-1568-00**

N Jack Bulkhead R/A to HP500  
Solder Clamp

DC-18 GHz

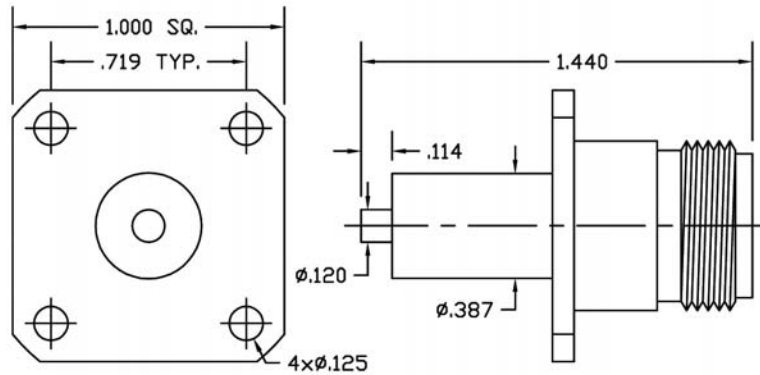


## N Receptacles

### 53-131-1000-00

N Jack Receptacle  
4 Hole Flange Mount

DC-18 GHz

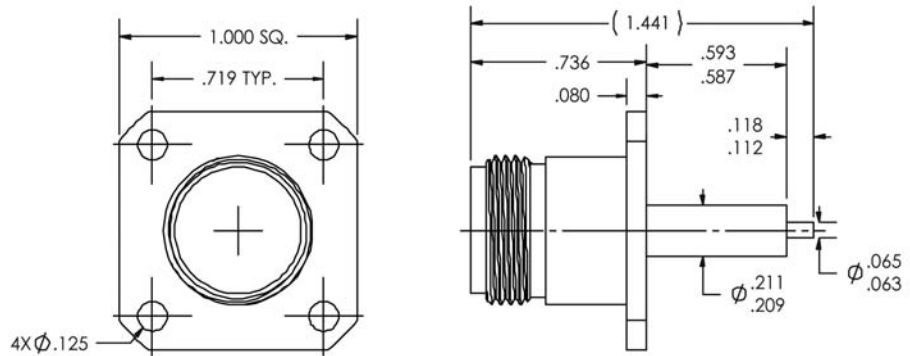


Z

### 53-131-1000-02

N Jack Receptacle  
4 Hole Flange Mount

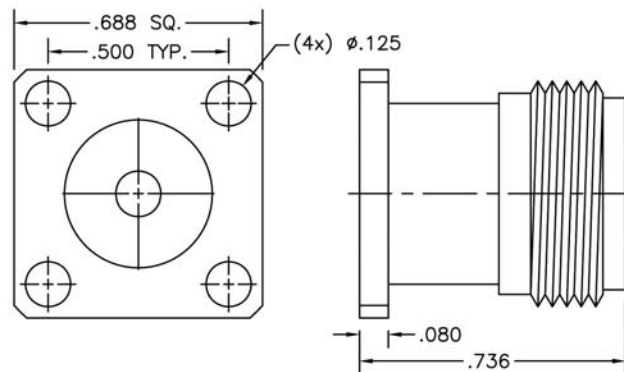
DC-18 GHz



### 53-131-1500-00

N Jack Receptacle  
4 Hole Flange Mount  
to Accept .062" Diameter  
Pin

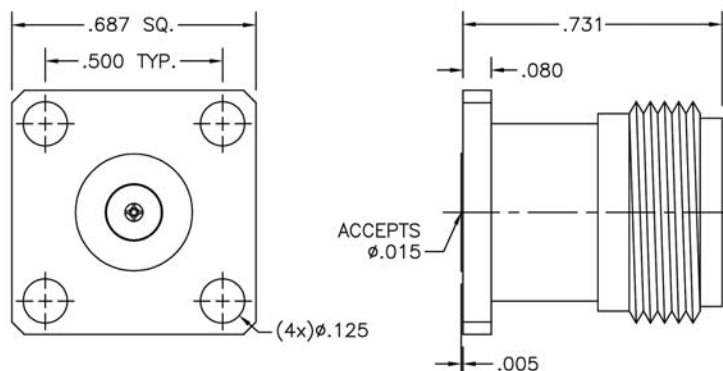
DC-10 GHz



### 53-131-1500-10

N Jack Receptacle  
4 Hole Flange Mount  
to Accept .015" Diameter  
Pin

DC-15 GHz



**General**

Materials: SST, Corrosion-resistant, Non-magnetic 303, per ASTM A484 & A582, Beryllium Copper per ASTM-B-196, QQ-C-530, Oxide Noryl™ per MIL-P-46129, PTFE Fluorocarbon per ASTM-D-1710

Finish: Center contacts and solder components shall be plated per MIL-G-45204 Type II, Class I over Nickel plate per QQ-N-290, Body & Body components shall be passivated per ASTM A380

**Electrical Frequency:**

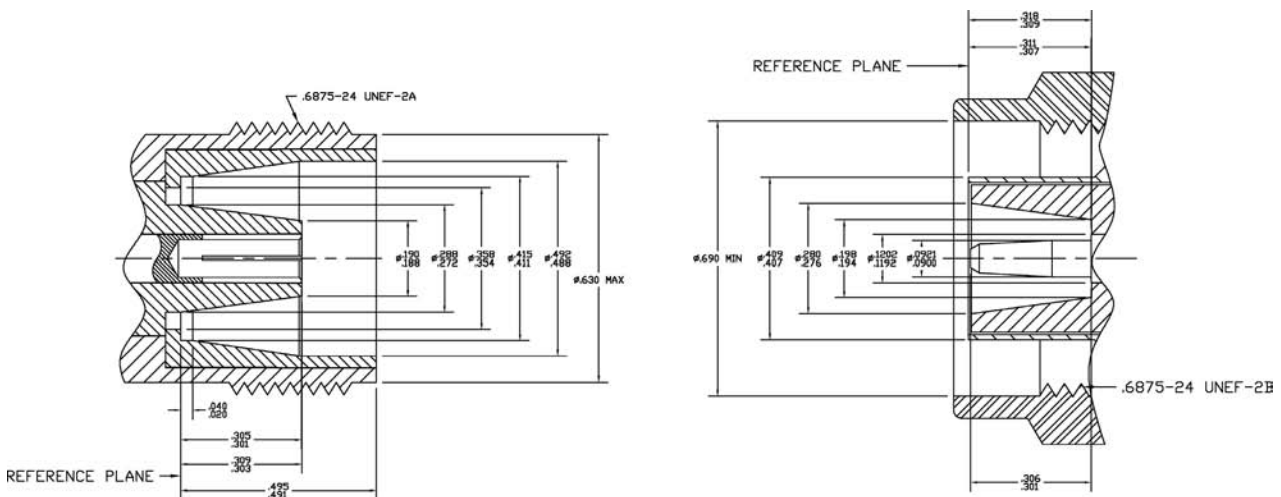
Nominal Impedance: *DC thru 18GHz*  
 Temperature Rating: 50 Ohms  
 VSWR: -55° C to 100° C  
 1.15:1 to 18GHz

**Mechanical**

Connector Durability:  
 Contact Torque: 500 mating cycles  
 minimum 6 in.lbs.f. max  
 Coupling Nut Mating Torque: 14-18 in.lbs.f.

**Environmental**

Corrosion (salt spray): MIL-STD-202, method 101, test condition B 5% salt solution  
 Vibration High Frequency: MIL-STD-202, method 204, test condition D (20 G's)



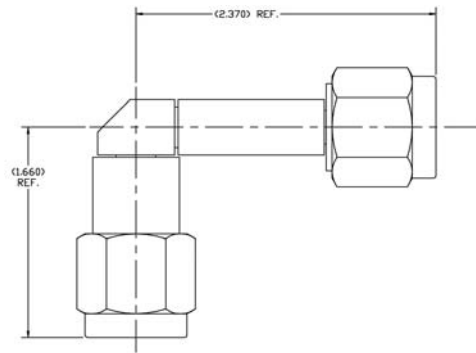
## SC In-Series Adapters



### 56-956-4100-00

SC Plug to SC Plug R/A

DC-3 GHz

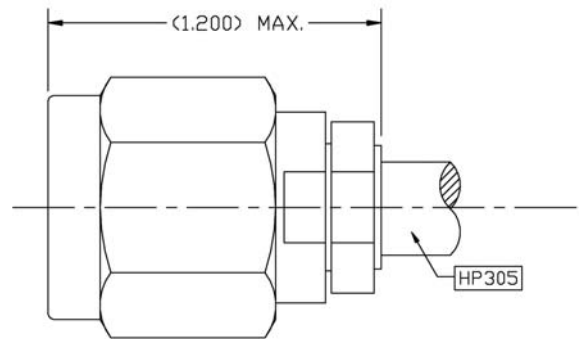


## SC Cable Connectors

### 56-000-1507-0

SC Plug to HP350  
Solder Clamp

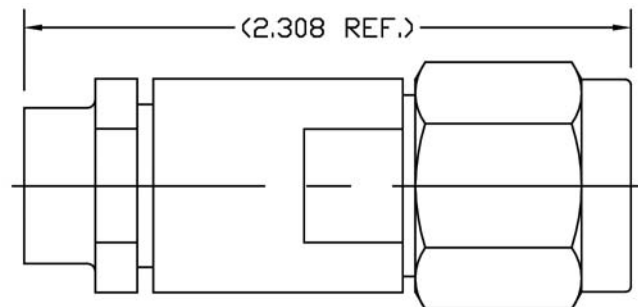
DC-12 GHz



### 56-000-1548-0

SC Plug to .480 Cable  
Solder Clamp

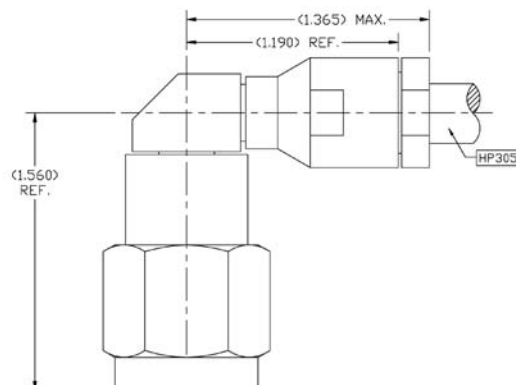
DC-8 GHz



### 56-041-1507-00

SC Plug R/A to HP350  
Solder Clamp

DC-18 GHz

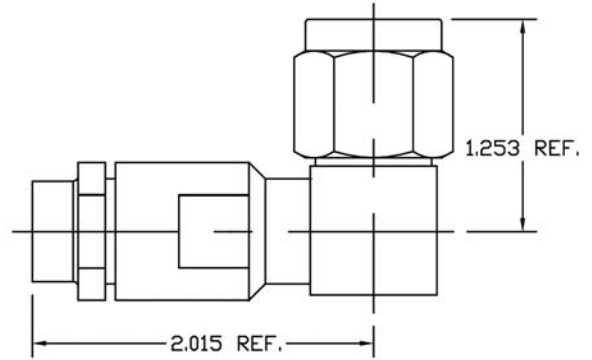


SC

**56-041-1548-00**

SC Plug R/A to .480 Cable  
Solder Clamp

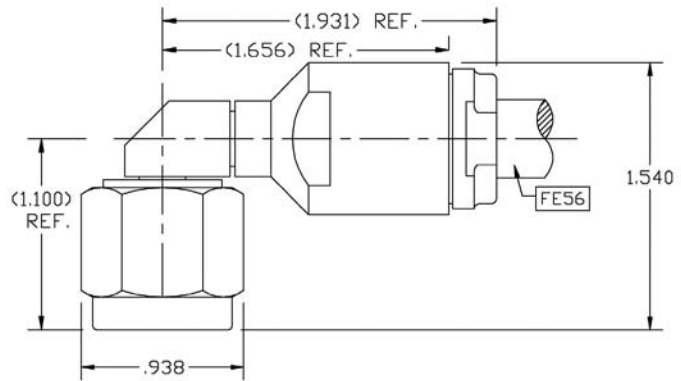
DC-8 GHz



**56-041-1568-00**

SC Plug R/A to FE56  
Solder Clamp

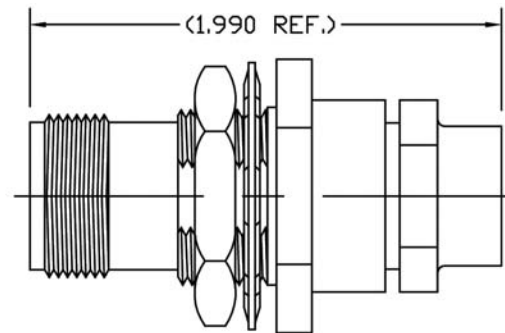
DC-10 GHz



**57-020-1548-00**

SC Jack to .480 Cable  
Bulkhead Mount  
Solder Clamp

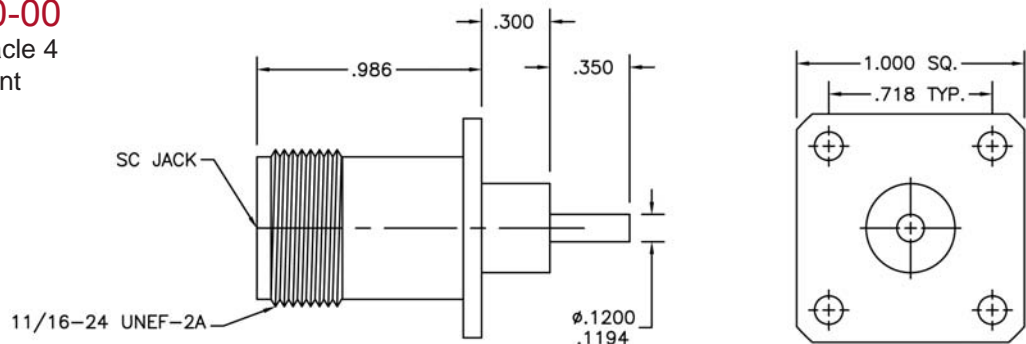
DC-8 GHz



**57-131-1000-00**

SC Jack Receptacle 4  
Hole Flange Mount

DC-10 GHz



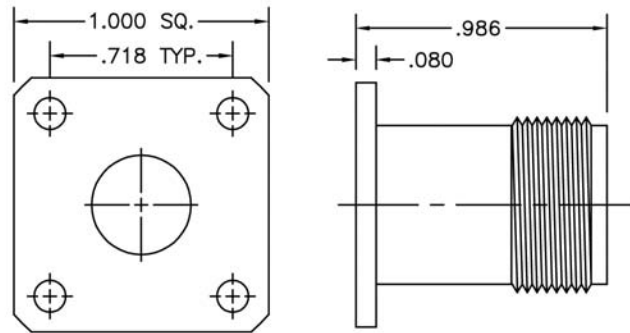


## SC Receptacles

### 57-131-1500-00

SC Jack Receptacle  
4 Hole Flange Mount  
Accepts .062" Diameter Pin

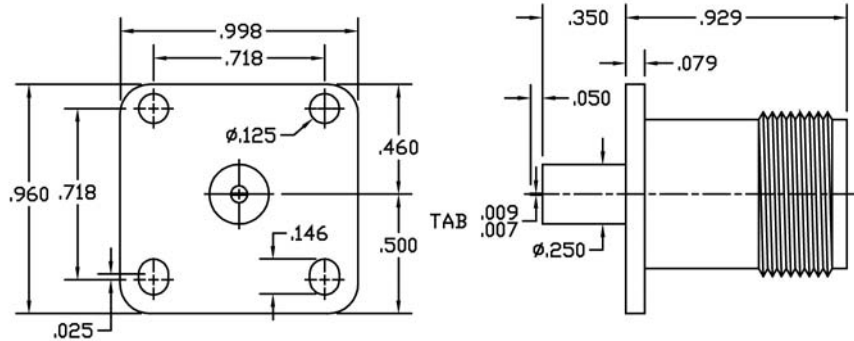
DC-10 GHz



### 57-131-3000-80

SC Jack Receptacle 4  
Hole Flange Mount

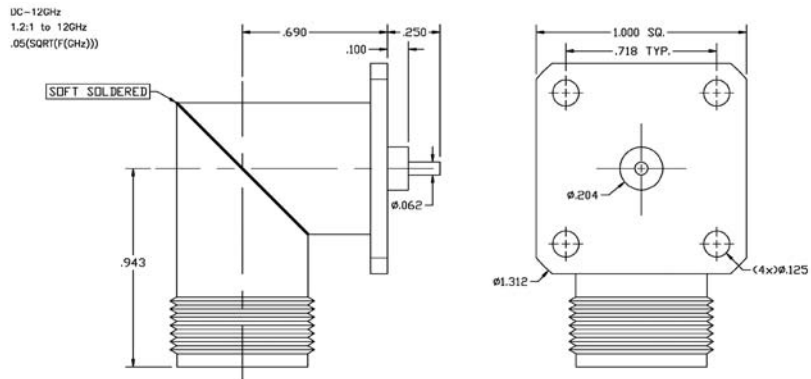
DC-8 GHz



### 57-135-1000-00

SC Jack Receptacle R/A 4  
Hole Flange Mount

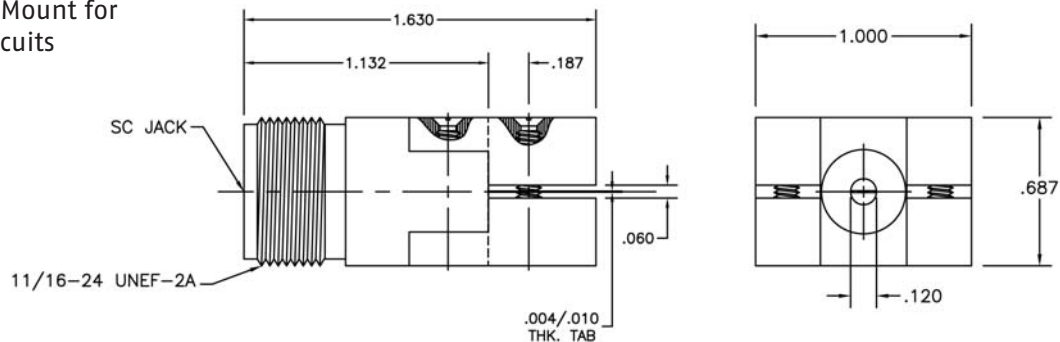
DC-12 GHz



### 57-146-0000-00

SC Jack PCB Mount for  
Stripline Circuits

DC-10 GHz



**General**

**Materials:** SST, Corrosion-resistant, Non-magnetic 303, per ASTM A484 & A582, Beryllium Copper per ASTM-B-196, QQ-C-530, PTFE Fluorocarbon per ASTM-D-1710

**Finish:** Center contacts and solder components shall be plated per MIL-G-45204 Type II, Class I over Nickel plate per QQ-N-290, Body & Body components shall be passivated per ASTM A380

**Compatibility:** Mechanically compatible with 2.9mm and 3.5mm connectors.

**Electrical Frequency:**

**Nominal Impedance:** DC-27 GHz

**Temperature Rating:** 50 Ohms

**VSWR:** -55° C to 100° C  
1.2:1 to 27 GHz

**Mechanical**

**Connector Durability:**

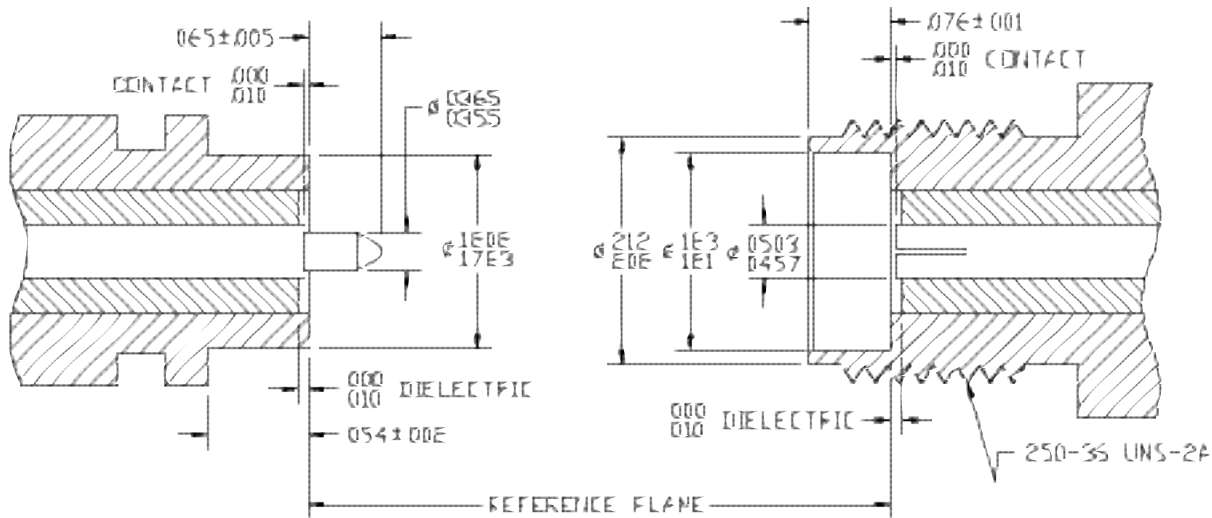
**Contact Torque:** 500 cycles minimum 4.0 inch-ounces minimum

**Coupling nut mating torque:** 8-10 inch lbs.

**Environmental**

**Corrosion (salt spray):** MIL-STD-202, method 101, test condition B 5% salt solution

**Vibration High Frequency:** MIL-STD-202, method 204, test condition D (20 G's)

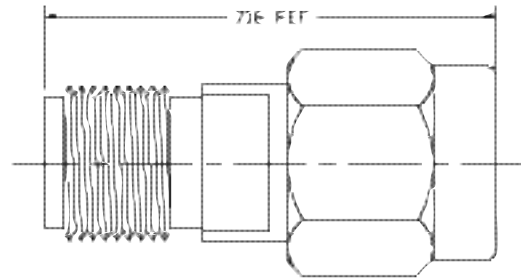


## SMA In-Series Adapters

**20-921-0000-00**

**20-921-0000-01** (Gold Plated)  
SMA Plug to SMA Jack

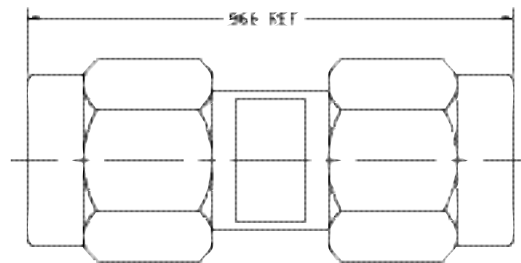
DC-27 GHz



**20-920-0000-00**

**20-920-0000-01** (Gold Plated)  
SMA Plug to SMA Plug

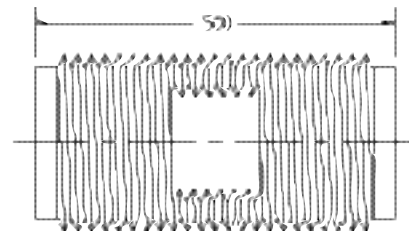
DC-27 GHz



**21-921-0000-00**

**21-921-0000-01** (Gold Plated)  
SMA Jack to SMA Jack

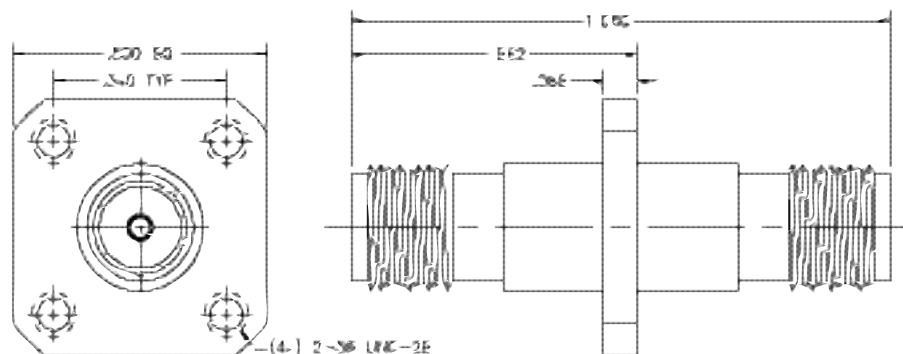
DC-27 GHz



**21-921-0358-04**

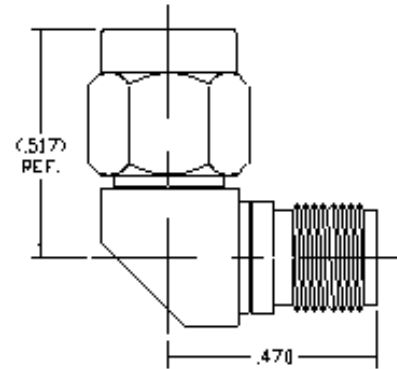
SMA Jack to SMA Jack 4 Hole Flange Mount

DC-18 GHz



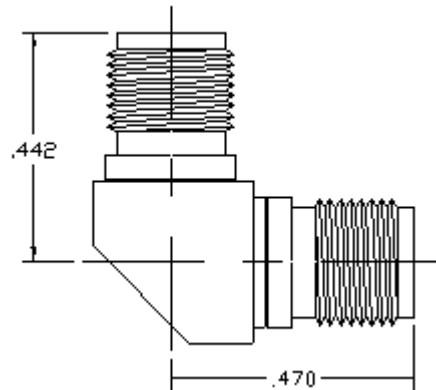
**20-921-2100-00**  
**20-921-2100-01** (Gold Plated)  
 SMA Plug to SMA Jack R/A

DC-27 GHz



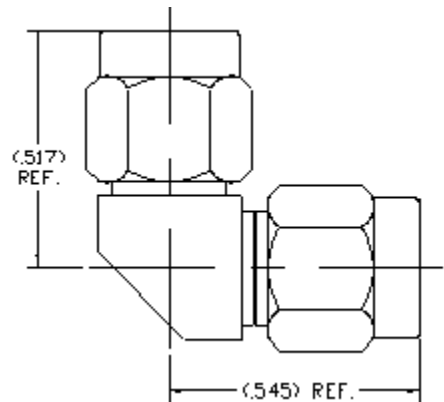
**21-921-2100-00**  
**21-921-2100-01** (Gold Plated)  
 SMA Jack to SMA Jack R/A

DC-27 GHz



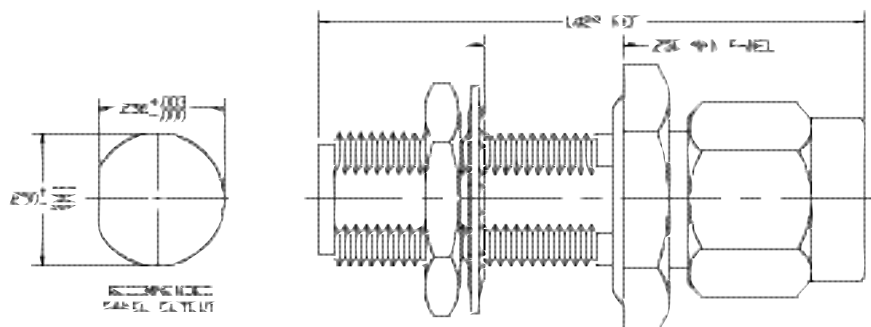
**20-920-2100-00**  
**20-920-2100-01** (Gold Plated)  
 SMA Plug to SMA Plug R/A

DC-27 GHz



**21-920-2000-00**  
 SMA Jack to Plug  
 Bulkhead Mount

DC-18 GHz

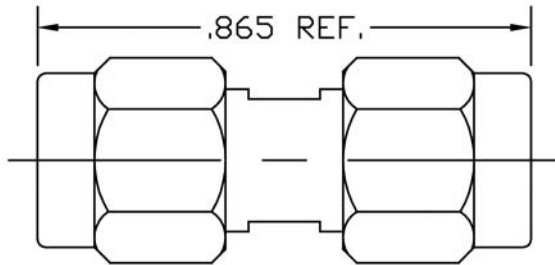


SMA

**20-920-0000-02**

SMA Plug to SMA Plug

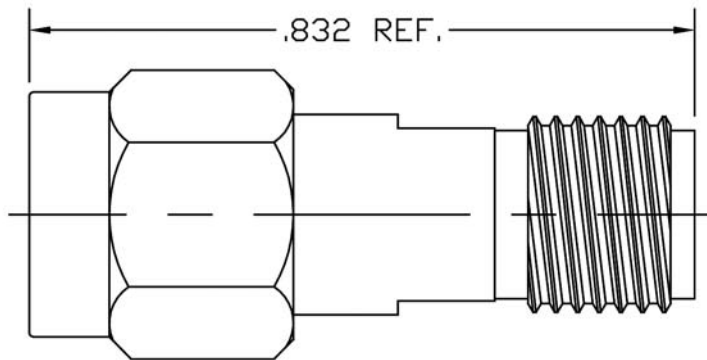
DC-27 GHz



**20-921-0000-02**

SMA Plug to SMA Jack

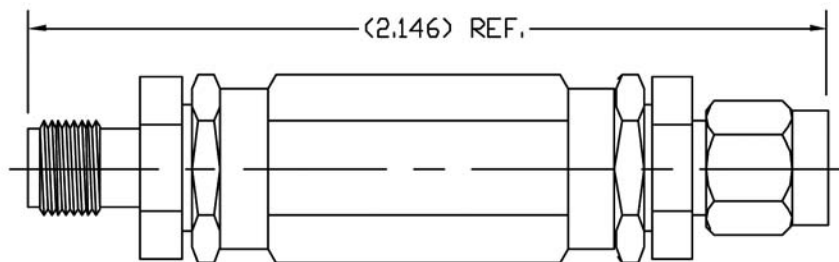
DC-27 GHz



**20-921-9158-00**

SMA Jack to SMA Plug  
Phase Adjustable

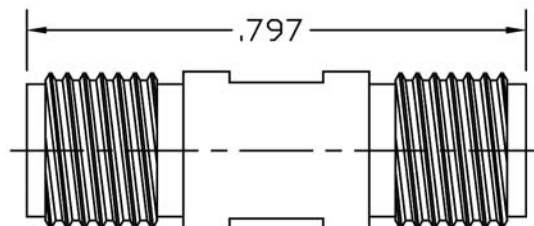
DC-18 GHz



**21-921-0000-02**

SMA Jack to SMA Jack

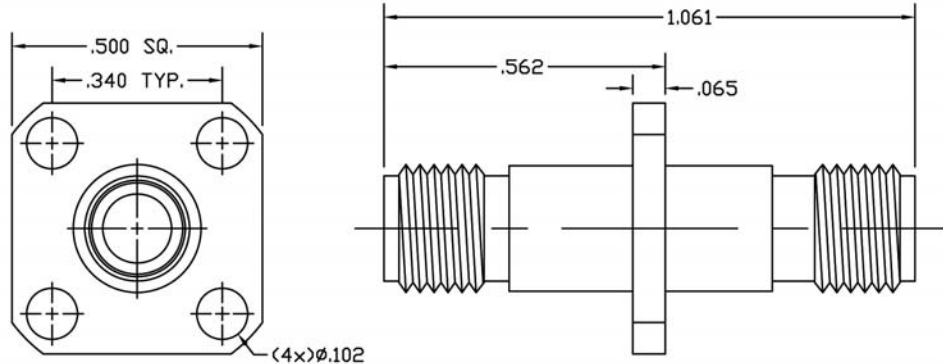
DC-27 GHz



**21-921-0355-04**

SMA Jack to SMA Jack 4  
Hole Flange Mount

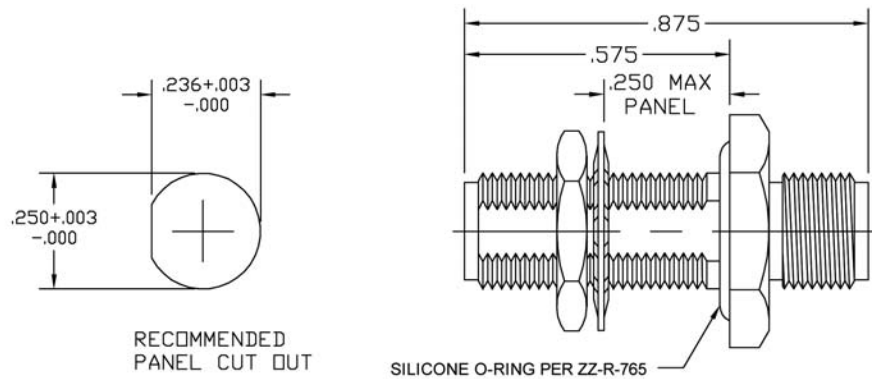
DC-18 GHz



**21-921-2000-00**

SMA Jack to SMA Jack  
Bulkhead Mount

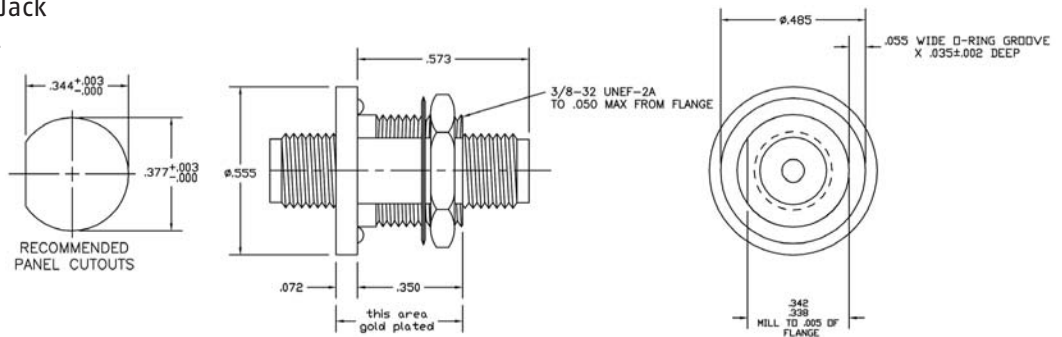
DC-18 GHz



**21-921-2040-90**

SMA Jack to SMA Jack  
Bulkhead Mount  
Hermetic

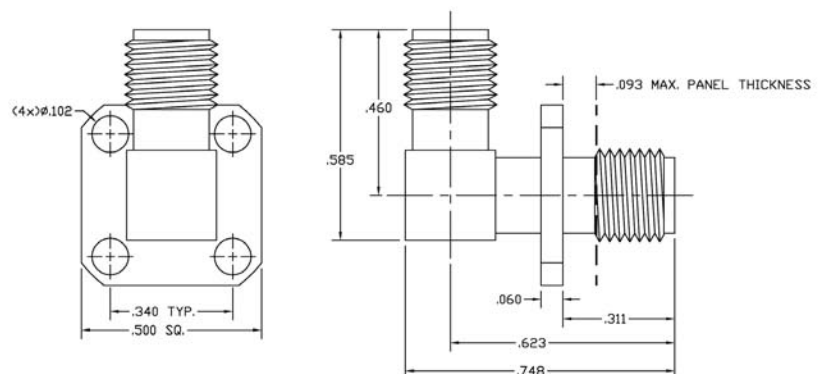
DC-18 GHz



**21-921-3500-00**

SMA Jack to SMA Jack R/A 4  
Hole Flange Mount

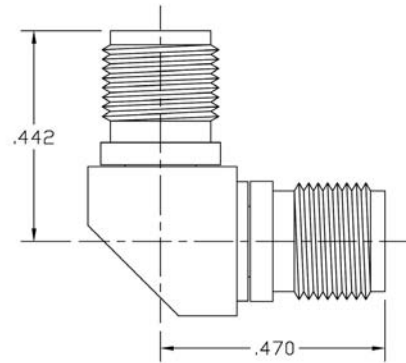
DC-18 GHz



## SMA In-Series Adapters

**21-921-4200-00**  
SMA Jack to SMA Jack R/A

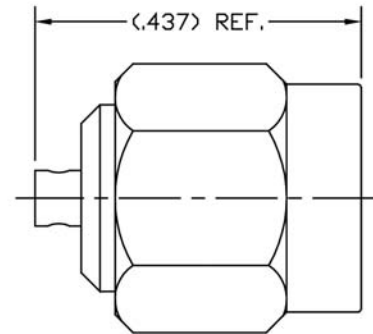
DC-27 GHz



## SMA Cable Connectors

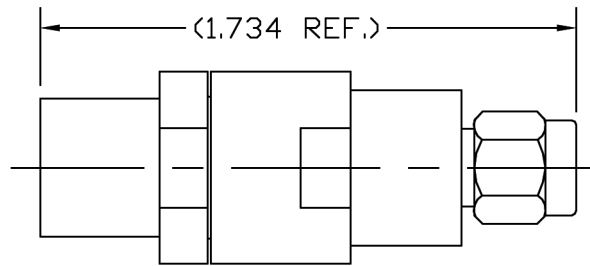
**20-000-1047-00**  
SMA Plug to .047 S/R  
Direct Solder

DC-27 GHz



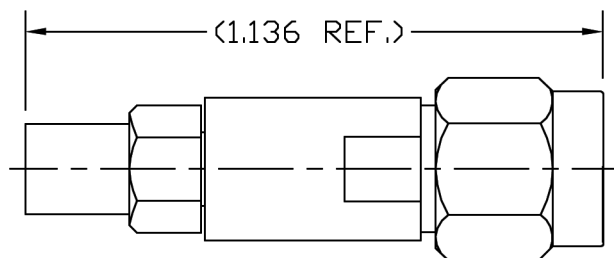
**20-000-1535-00**  
SMA Plug to LL335 Solder  
Clamp

DC-18 GHz



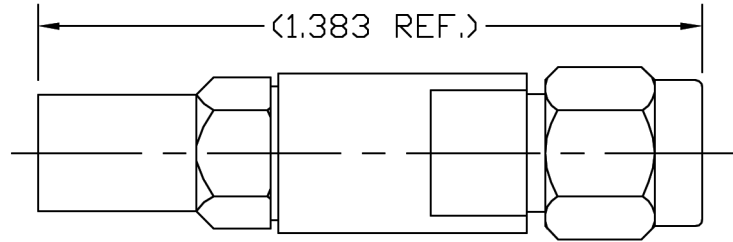
**20-000-1539-00**  
SMA Plug to SF316 Solder  
Clamp

DC-18 GHz



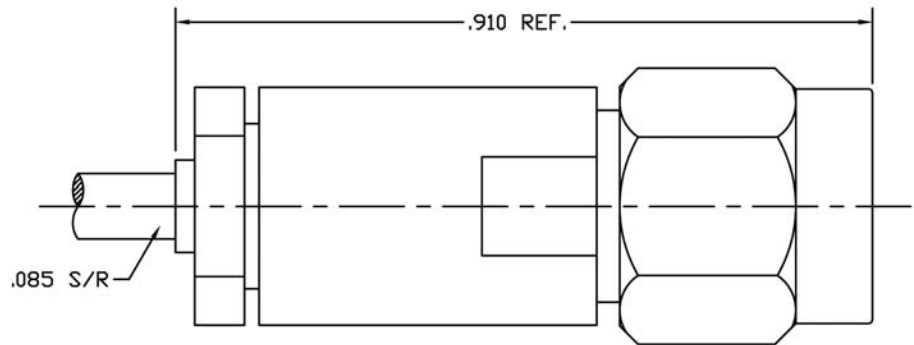
**20-000-1559-00**  
SMA Plug to SF142B Solder  
Clamp

DC-18 GHz



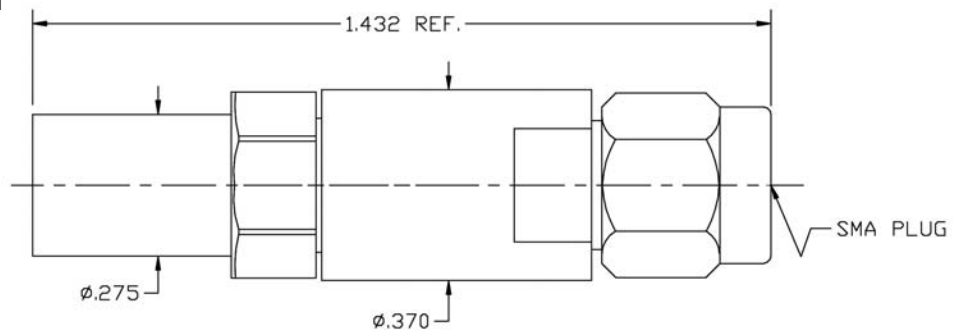
**20-000-1585-00**  
SMA Plug to .085 S/R  
Solder Clamp

DC-18 GHz



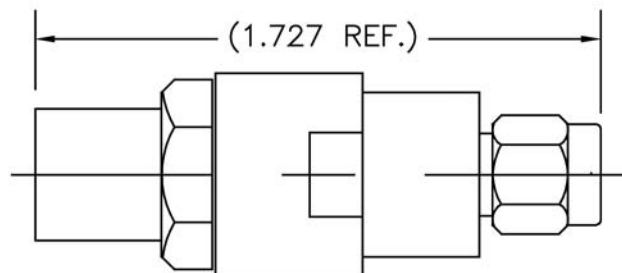
**20-000-1590-00**  
SMA Plug to HP190 Solder  
Clamp

DC-18 GHz



**20-000-1598-00**  
SMA Plug to LA290 Solder  
Clamp

DC-18 GHz



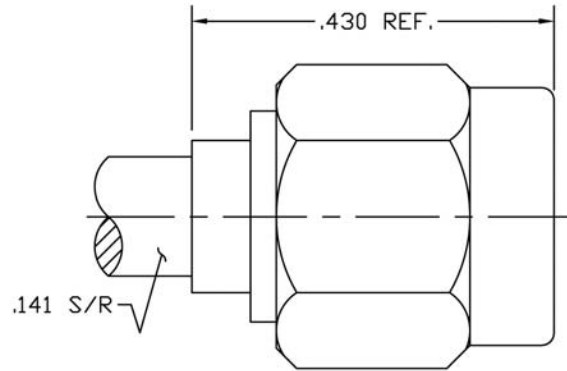
SMA



**20-010-1041-00**

SMA Plug to .141 S/R  
Direct Solder

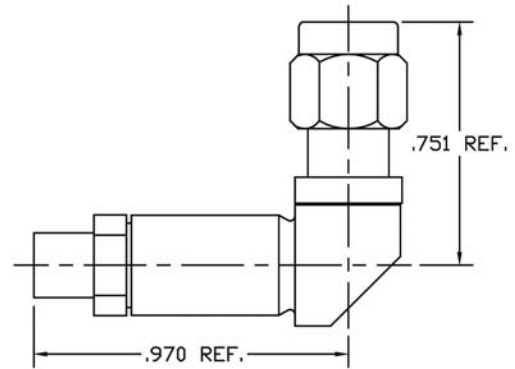
DC-27 GHz



**20-041-1523-01**

SMA Plug R/A to LL120  
Solder Clamp

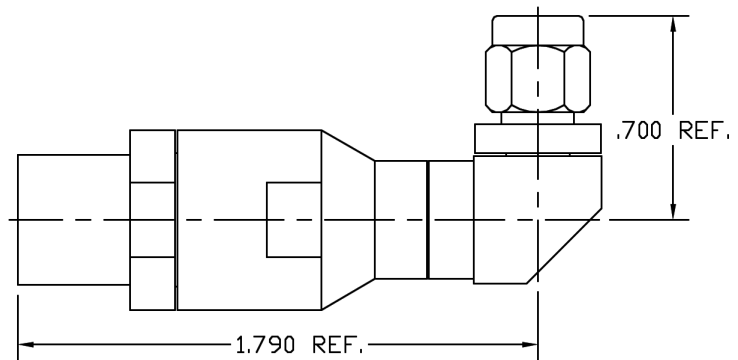
DC-27 GHz



**20-041-1531-00**

SMA Plug R/A to HF290  
Solder Clamp

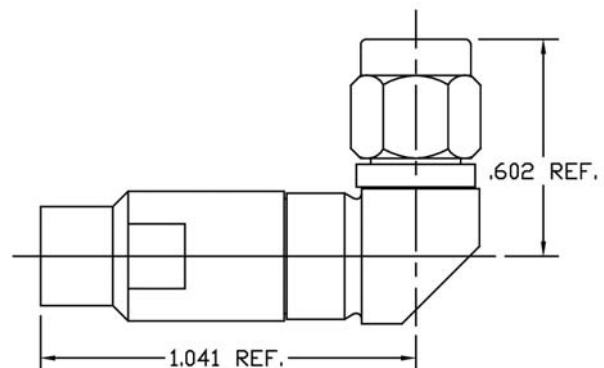
DC-18 GHz



**20-041-1590-00**

SMA Plug R/A to HP190  
Solder Clamp

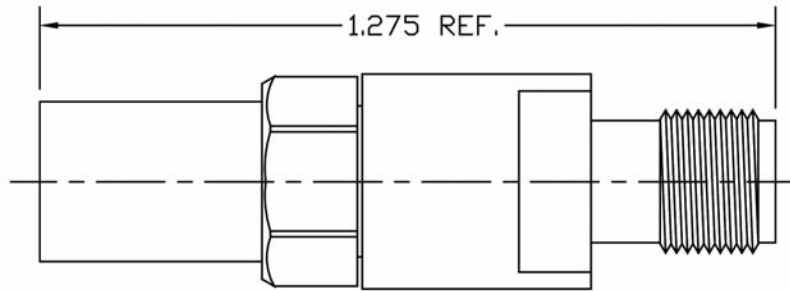
DC-27 GHz



**21-000-1597-00**

SMA Jack to LL142 Cable  
Solder Clamp

DC-18 GHz

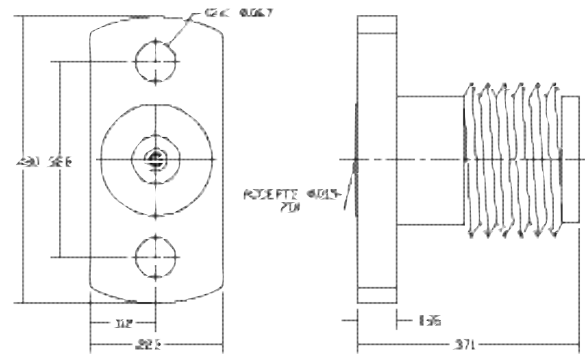


SMA Receptacles / PCB Mount

**21-130-1530-00**

SMA Jack Receptacle 2  
Hole Flange Mount

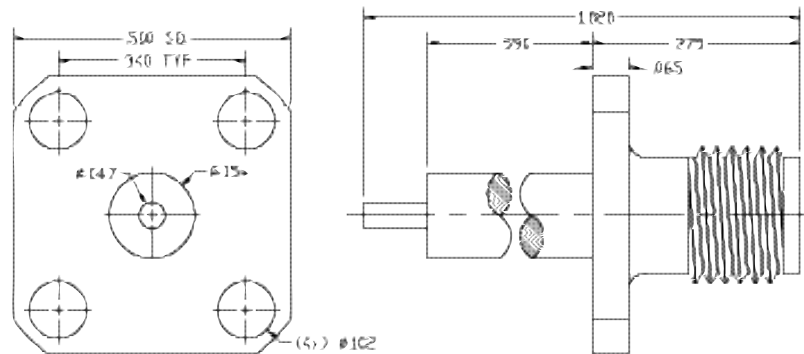
DC-27 GHz



**21-131-1000-01**

SMA Jack Receptacle 4  
Hole Flange Mount

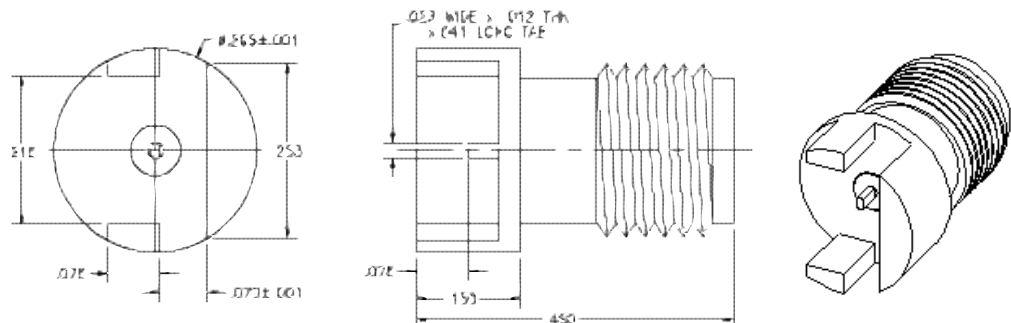
DC-27 GHz



**21-146-1000-00**

SMA Jack  
PCB Mount  
for .062" board

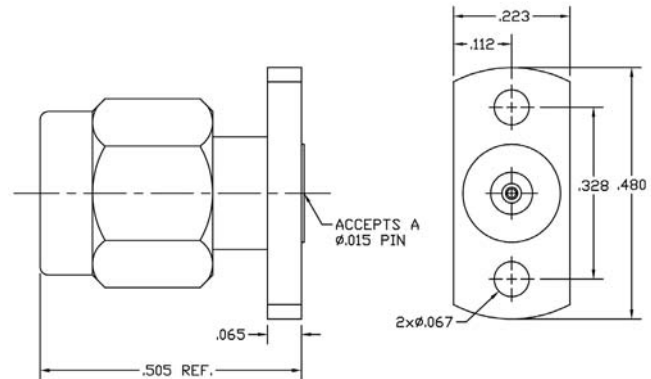
DC-27 GHz



**20-130-1530-00**

SMA Plug Receptacle 2  
Hole Flange Mount

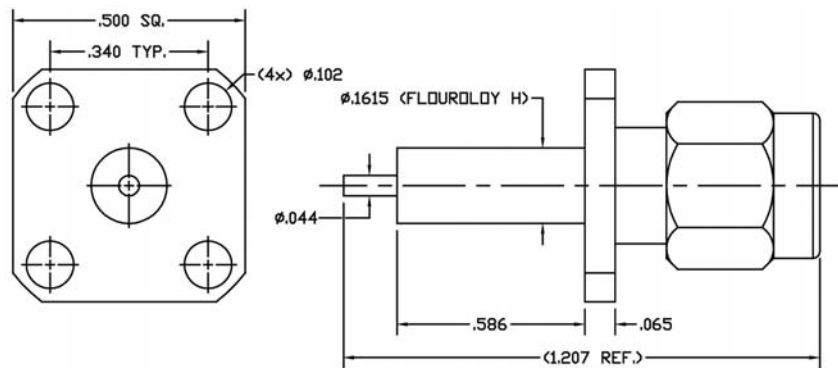
DC-27 GHz



**20-131-1000-00**

SMA Plug Receptacle 4  
Hole Flange Mount

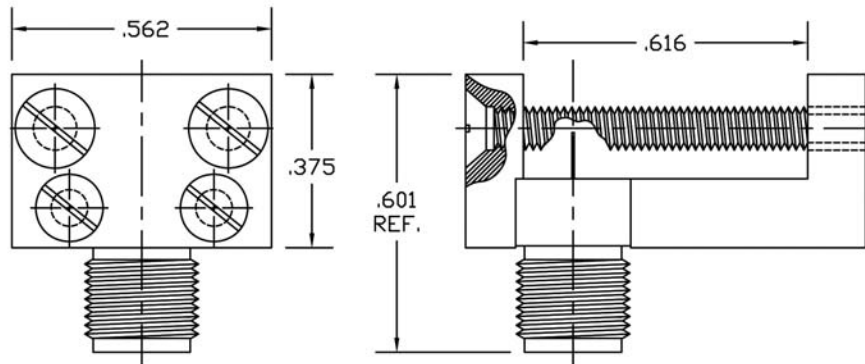
DC-18 GHz



**21-116-3005-02**

SMA Jack Stripline Launcher

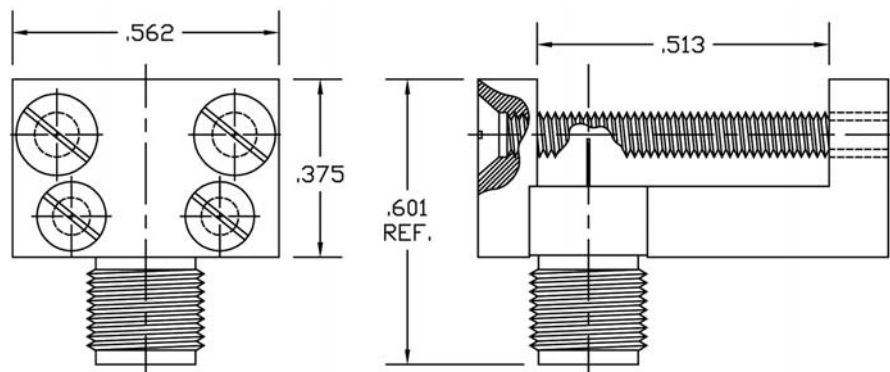
DC-27 GHz



**21-116-3005-03**

SMA Jack Stripline Launcher

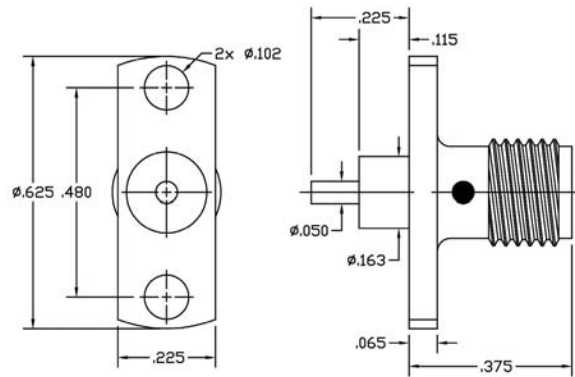
DC-27 GHz



**21-130-1000-01**

SMA Jack Receptacle 2  
Hole Flange Mount

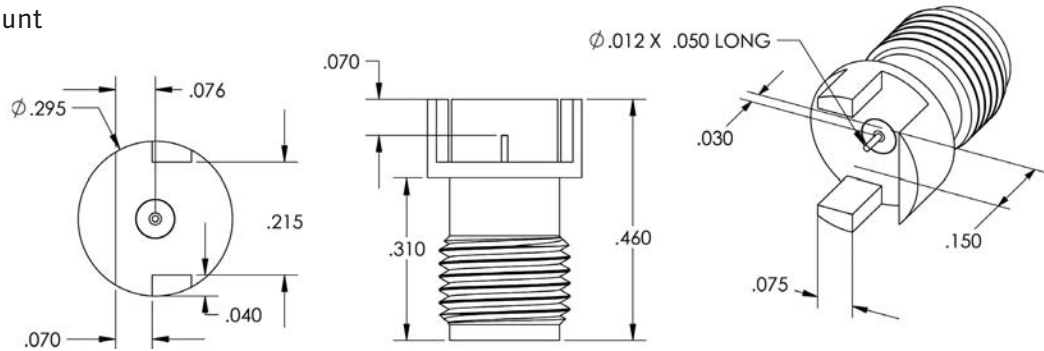
DC-18 GHz



**21-146-1000-01**

SMA Jack PCB Mount

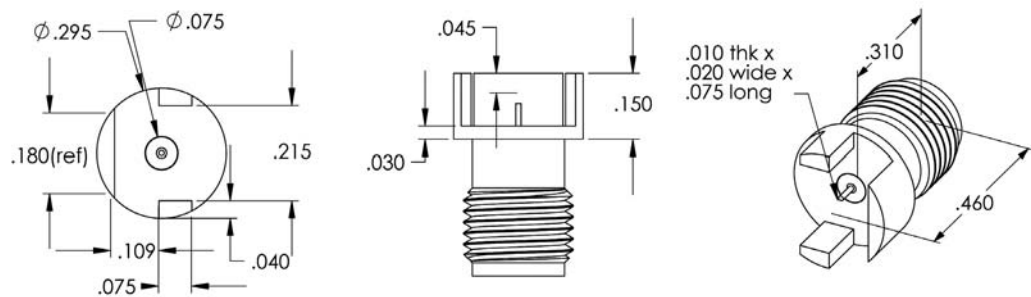
DC-27 GHz



**21-146-1000-02**

SMA Jack PCB Mount

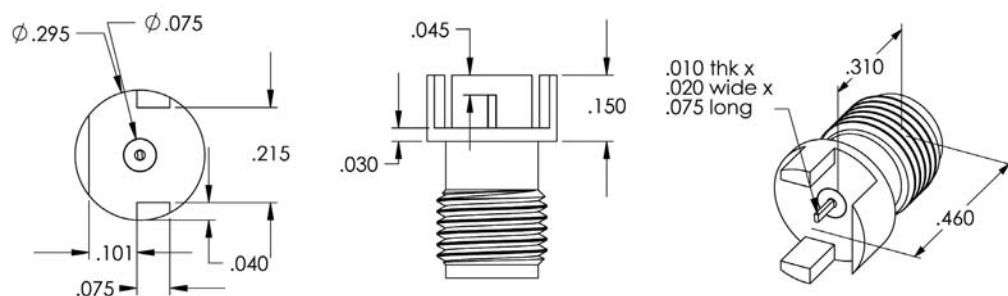
DC-27 GHz



**21-146-1000-04**

SMA Jack PCB Mount

DC-27 GHz



## General

**Materials:** SST. Corrosion-resistant, Non-magnetic 303, per ASTM A484 & A582. Beryllium Copper per ASTM-B-196, QQ-C-530, PTFE Fluorocarbon per ASTM-D-1710

**Finish:** Center contacts and solder components shall be plated per MIL-G-45204 Type II, Class I over Nickel plate per QQ-N-290, Body & Body components shall be passivated per ASTM A380

## Electrical Frequency:

**Nominal Impedance:** **DC thru 40GHz**

**Temperature Rating:** 50 Ohms

**VSWR:** -55° C to 100° C  
1.25:1 to 40GHz

## Mechanical

**Connector Durability:**

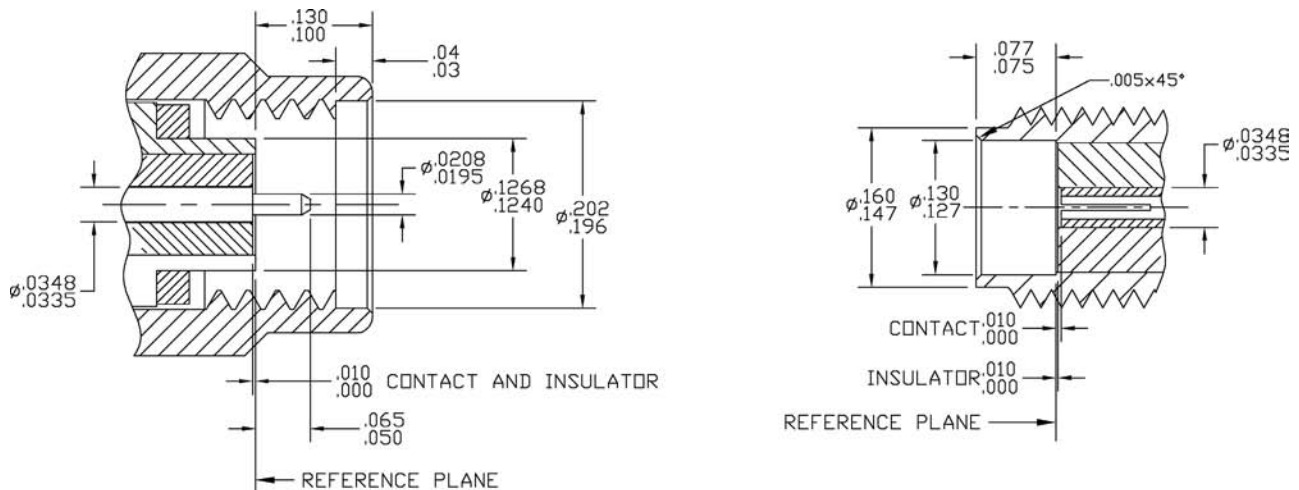
**Contact Torque:** 500 mating cycles  
minimum 2 in.lbs.f. max

**Coupling Nut Mating Torque:** 6-8 in.lbs.f.

## Environmental

**Corrosion (salt spray):** MIL-STD-202, method 101, test condition B 5% salt solution

**Vibration High Frequency:** MIL-STD-202, method 204, test condition D (20 G's)



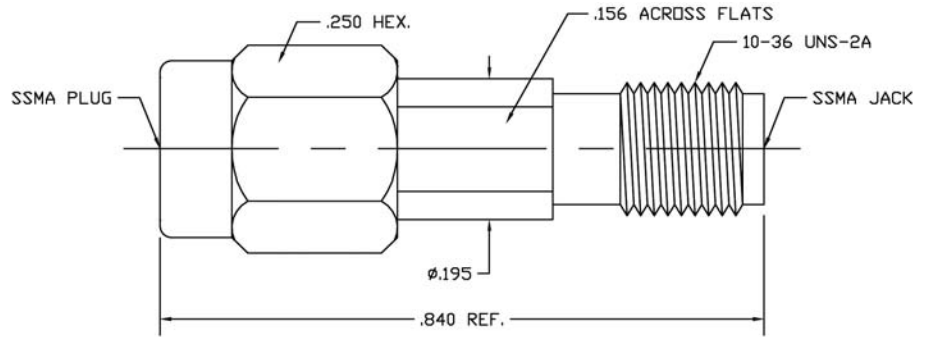
SSMA INTERFACE PER MIL-STD-348  
SECTION 319.1 AND 319.2

## SSMA In-Series Adapters

### 12-913-0000-00

SSMA Plug to SSMA Jack

DC-40 GHz



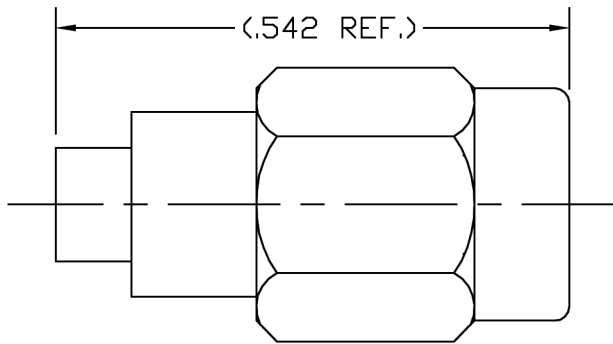
## SSMA In-Series Adapters

### 12-000-1047-00

SSMA Plug to .047 S/R

Direct Solder

DC-40 GHz

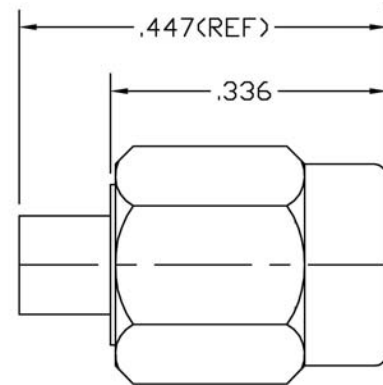


### 12-000-1056-00

SSMA Plug to AA-9411

Direct Solder

DC-40 GHz

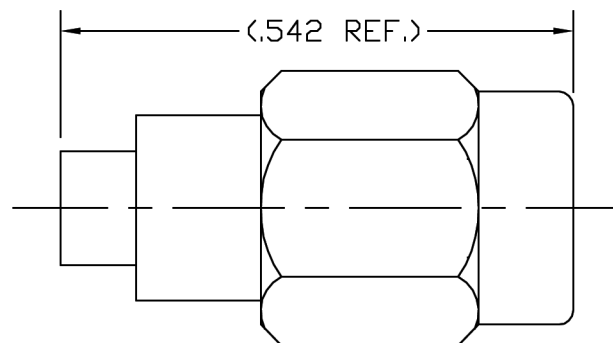


### 12-000-1085-00

SSMA Plug to .085 S/R

Direct Solder

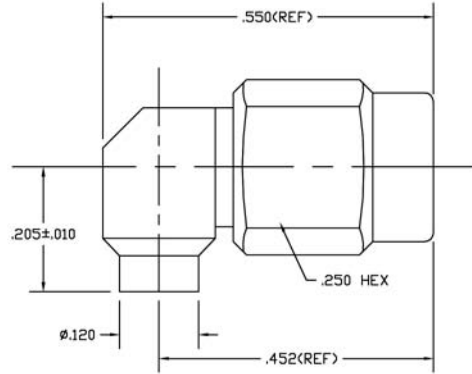
DC-40 GHz



**12-041-1056-00**

SSMA Plug R/A to AA-9411  
Direct Solder

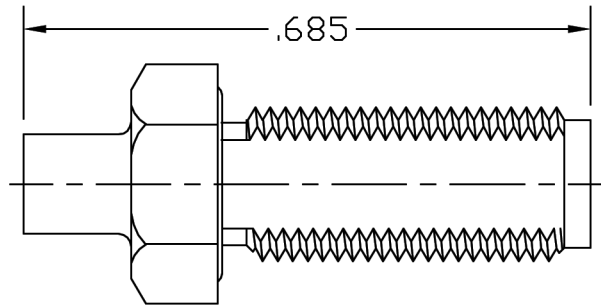
DC-20 GHz



**13-020-1085-00**

SSMA Jack Bulkhead to .085 S/R  
Direct Solder

DC-34.5 GHz

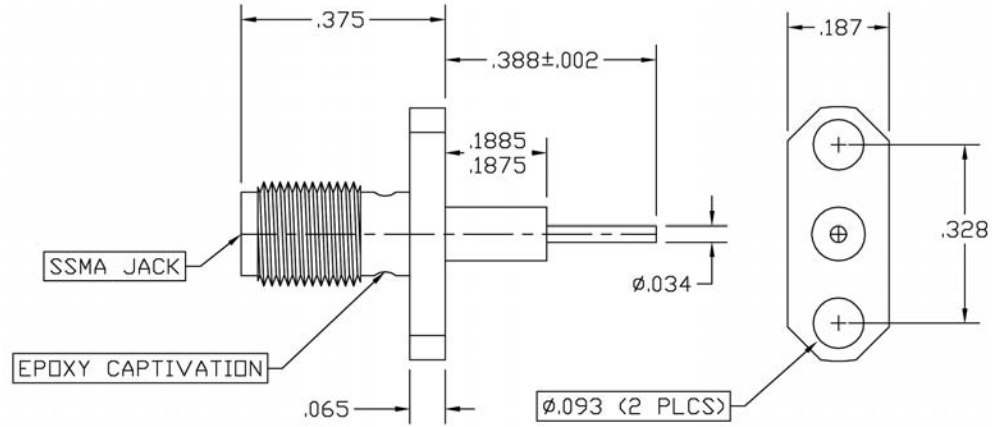


For the latest new designs – Contact  
our experts at [www.winconn.com](http://www.winconn.com)!

**13-130-1000-10**

SSMA Jack Receptacle 2  
Hole Flange Mount

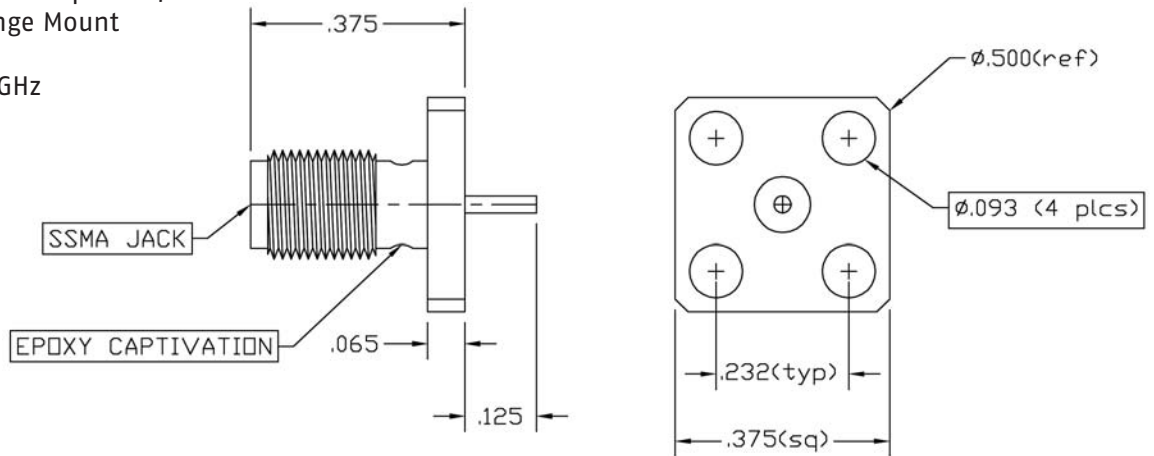
DC-34.5 GHz



**13-131-1000-10**

SSMA Jack Receptacle 4  
Hole Flange Mount

DC-34.5 GHz





**General**

**Materials:** SST. Corrosion-resistant, Non-magnetic 303, per ASTM A484 & A582. Beryllium Copper per ASTM-B-196, QQ-C-530, Oxide Noryl™ per MIL-P-46129, PTFE Fluorocarbon per ASTM-D-1710

**Finish:** Center contacts and solder components shall be plated per MIL-G-45204 Type II, Class I over Nickel plate per QQ-N-290, Body & Body components shall be passivated per ASTM A380

**Electrical Frequency:**

**Nominal Impedance:** *DC thru 18GHz*  
**Temperature Rating:** 50 Ohms  
**VSWR:** -55° C to 100° C  
 1.15:1 to 18GHz

**Mechanical**

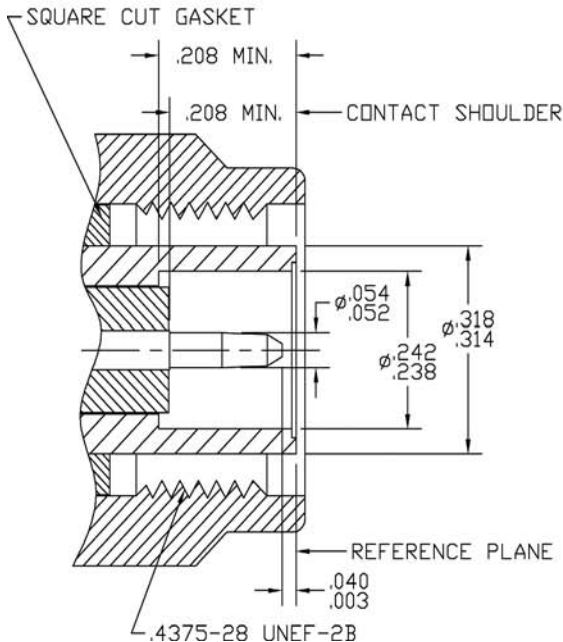
**Connector Durability:**  
**Contact Torque:** 500 mating cycles  
 minimum 2 in.lbs.f. max  
**Coupling Nut Mating Torque:** 14-18 in.lbs.f.

**Environmental**

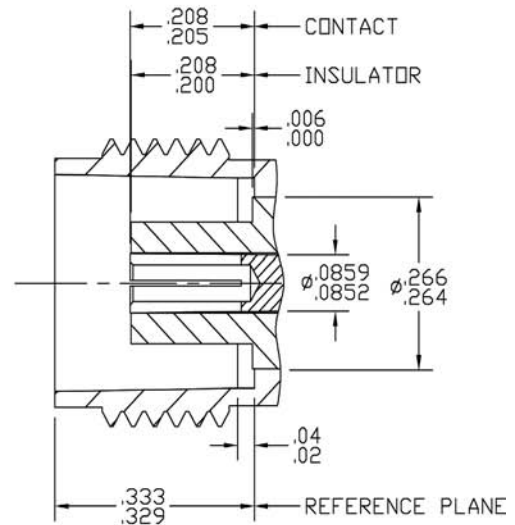
**Corrosion (salt spray):** MIL-STD-202, method 101, test condition B 5% salt solution  
**Vibration High Frequency:** MIL-STD-202, method 204, test condition D (20 G's)

TNC

**TNC-A Male Interface  
 Per MIL-STD-348 Section 313.3**



**TNC Female Test Interface Per MIL-STD-348 Section 406.2**

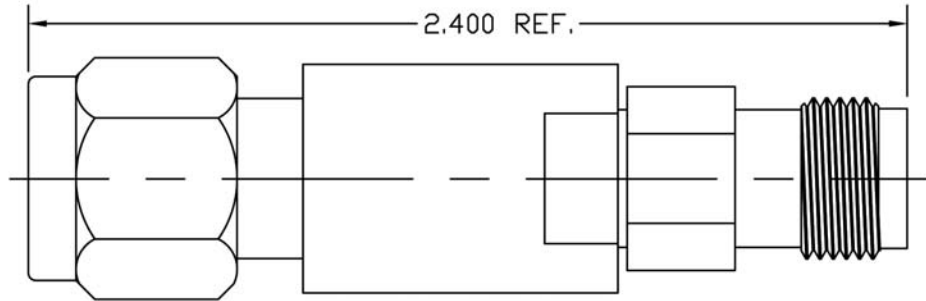


**40-941-0000-7**

**0**

TNC Plug to TNC Jack

DC-18 GHz

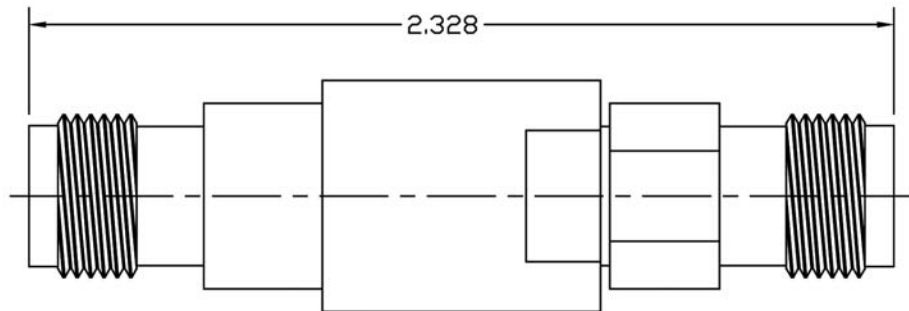


**41-941-0000-7**

**0**

TNC Jack to TNC Jack

DC-18 GHz



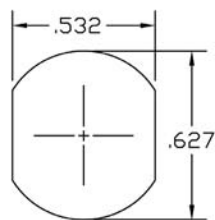
**41-941-2040-70**

TNC Jack to TNC Jack

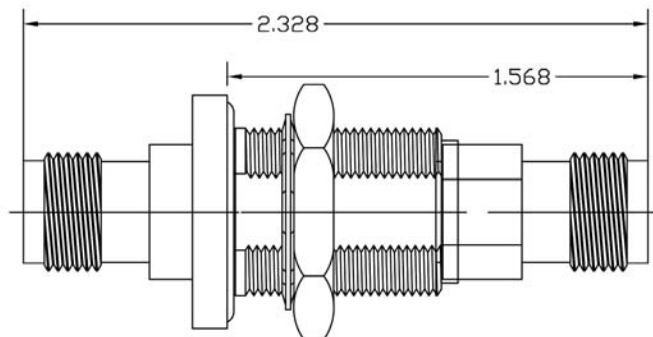
Bulkhead Mount

Hermetic to  $1 \times 10^{-6}$  cc/s of He at 1atm

DC-18 GHz



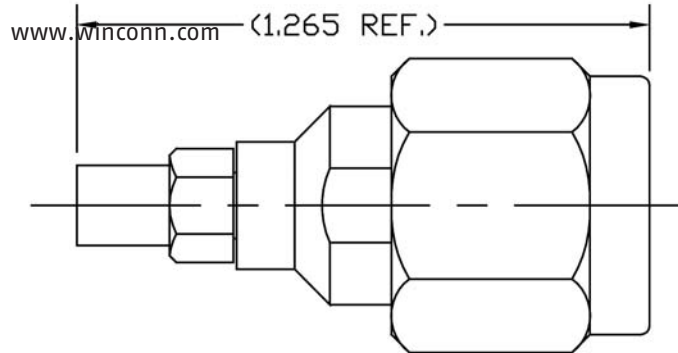
RECOMMENDED  
PANEL CUTOUT



**40-000-1539-00**

TNC Plug to SF316 Solder  
Clamp

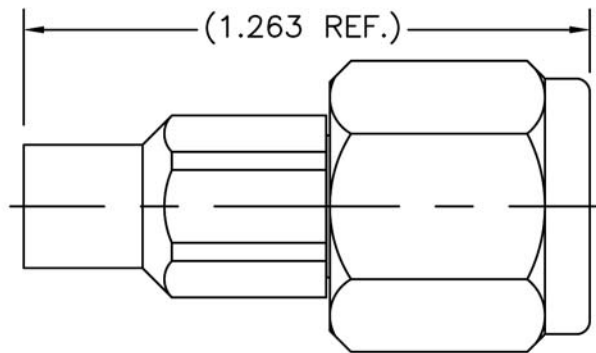
DC-18 GHz



**40-000-1560-00**

TNC Plug to SFT142 Solder  
Clamp

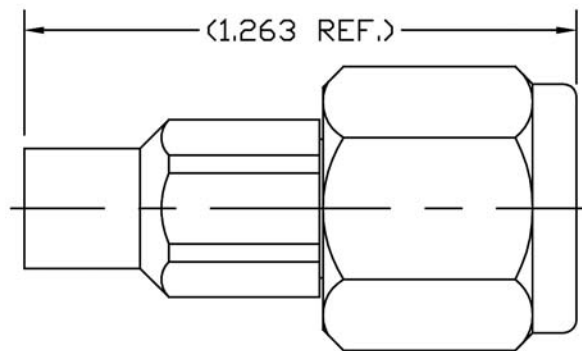
DC-18 GHz



**40-000-1590-00**

TNC Plug to HP190 Solder  
Clamp

DC-18 GHz

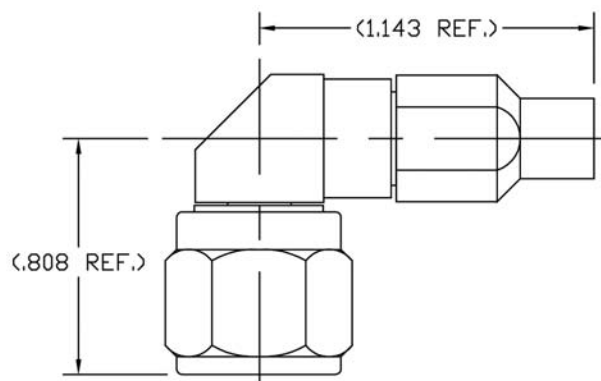


TNC

**40-041-1541-00**

TNC Plug R/A to .141 S/R  
Solder Clamp

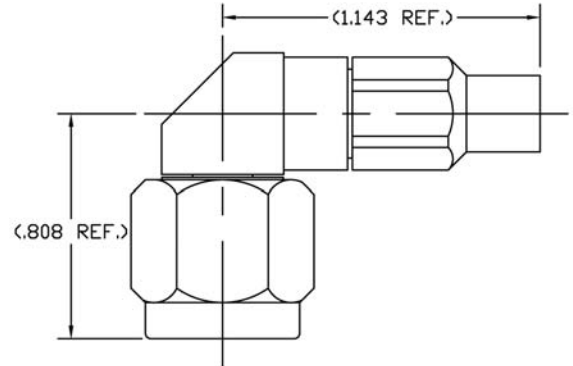
DC-18 GHz



**40-041-1560-00**

TNC Plug R/A to SFT142  
Solder Clamp

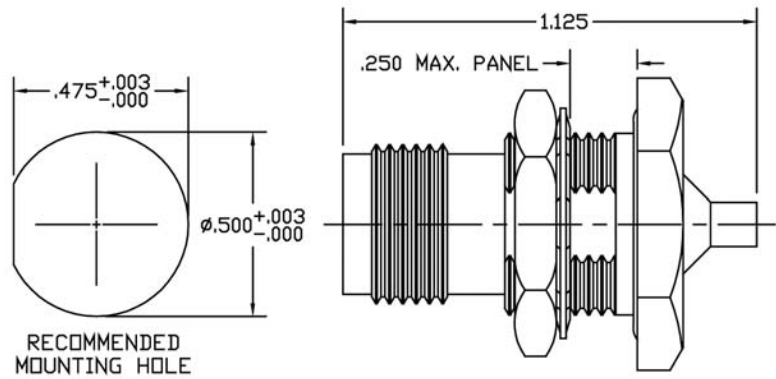
DC-18 GHz



**41-020-1085-00**

TNC Jack Bulkhead to .085 S/R  
Direct Solder

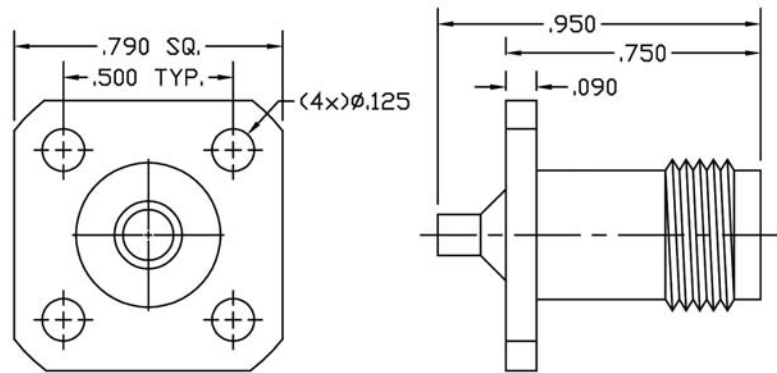
DC-15 GHz



**41-031-1085-01**

TNC Jack 4 Hole Flange to .085 S/R  
Direct Solder

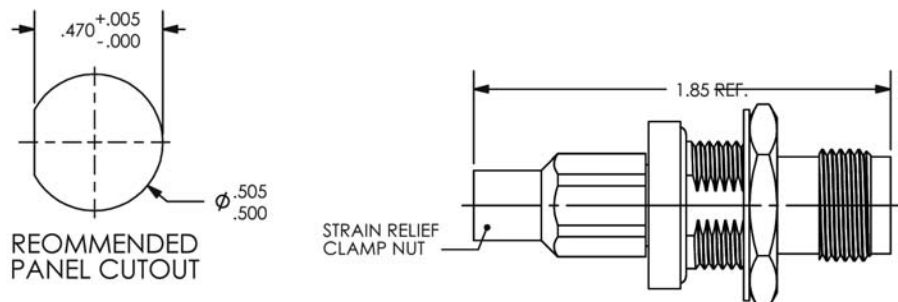
DC-16 GHz



**47-020-1544-00**

TNC Jack Bulkhead to TFlex-401  
Solder Clamp

DC-15 GHz

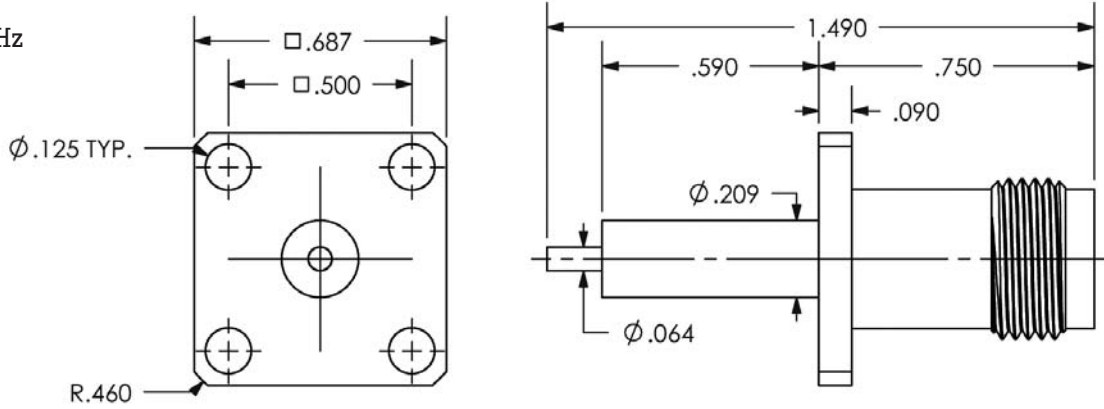


TNC

**41-131-1000-01**

TNC Jack Receptacle 4  
Hole Flange Mount

DC-15 GHz

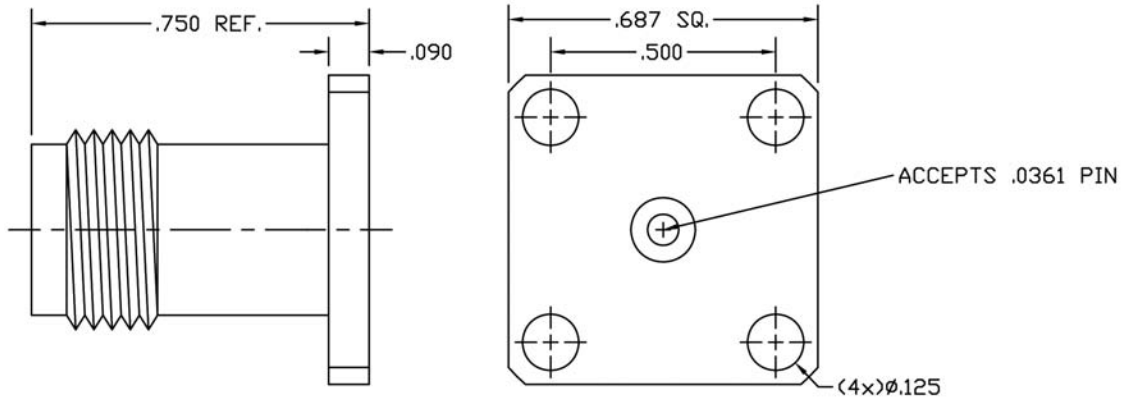


**41-131-1500-00**

TNC Jack Receptacle 4  
Hole Flange Mount

Accepts .036" Diameter Pin

DC-15 GHz

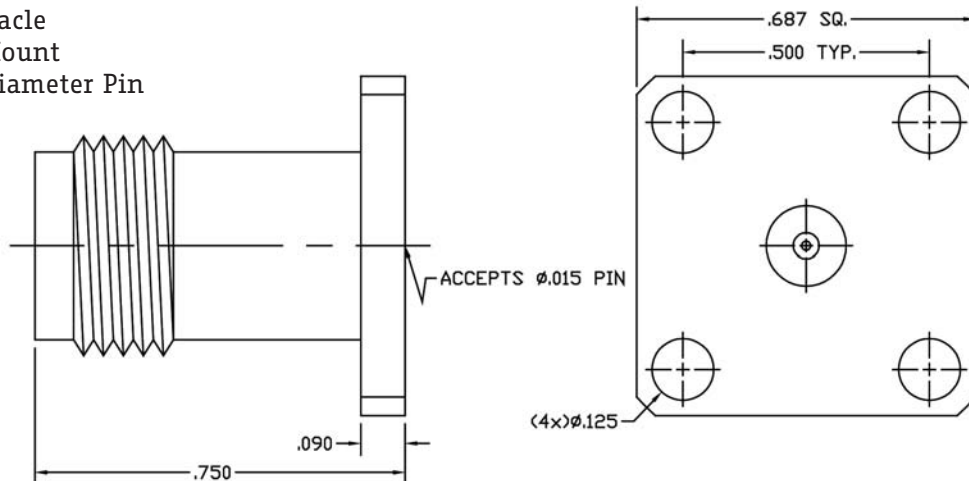


**41-131-1505-01**

TNC Jack Receptacle  
4 Hole Flange Mount

Accepts .015" Diameter Pin

DC-18 GHz



**SRI CONNECTOR GAGE'S ZMA** is one of the few manufactures providing ZMA's which conforms to MIL/STD/248. Our ZMA series are precision connectors designed for microwave applications DC through 18 GHz. The ZMA is electrically equivalent to the SMA series. The ZMA series is designed with a stainless steel construction body and hand mates with only a quarter turn—great for constricted spaces.

**General**

**Materials:** SST. Corrosion-resistant, Non-magnetic 303, per ASTM A484 & A582. Beryllium Copper per ASTM-B-196, QQ-C-530, PTFE Fluorocarbon per ASTM-D-1710

**Finish:** Center contacts and solder components shall be plated per MIL-G-45204 Type II, Class I over Nickel plate per QQ-N-290, Body & Body components shall be passivated per ASTM A380

**Electrical Frequency:**

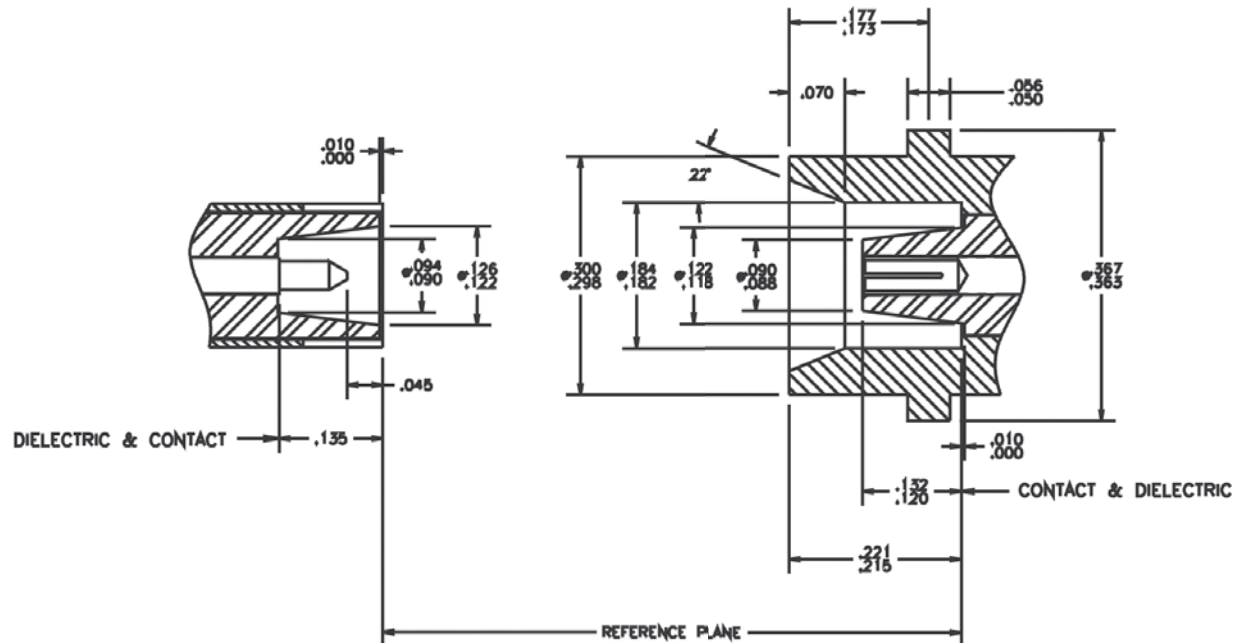
**Nominal Impedance:** *DC-18 GHz*  
**Temperature Rating:** 50 Ohms  
**VSWR:** -55° C to 125° C  
 1.15:1 to 18 GHz

**Mechanical Connector**

**Durability: Contact**  
**Torque:** 500 cycles minimum  
 4.0 inch-ounces minimum

**Environmental**

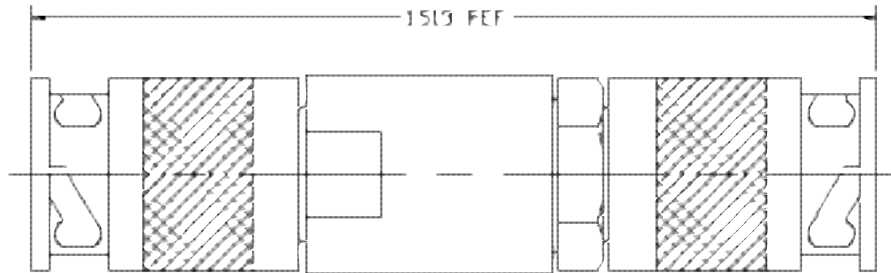
**Corrosion (salt spray):** MIL-STD-202, method 101, test condition B 5% salt solution  
**Vibration High Frequency:** MIL-STD-202, method 204, test condition D (20 G's)



**50-950-0000-01**

ZMA Plug to ZMA Plug

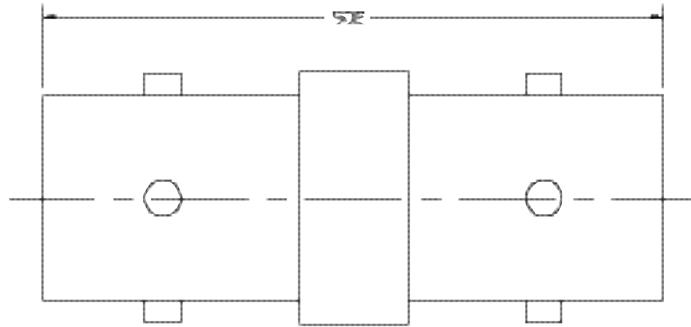
DC-18 GHz



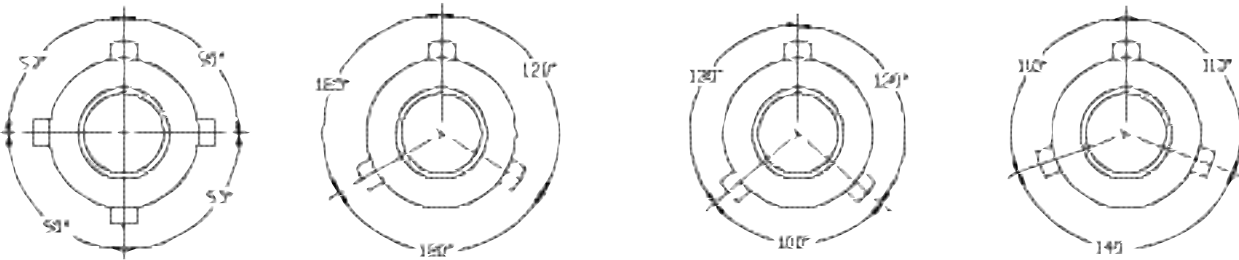
**51-951-0000-01**

ZMA Jack to ZMA Jack

DC-18 GHz



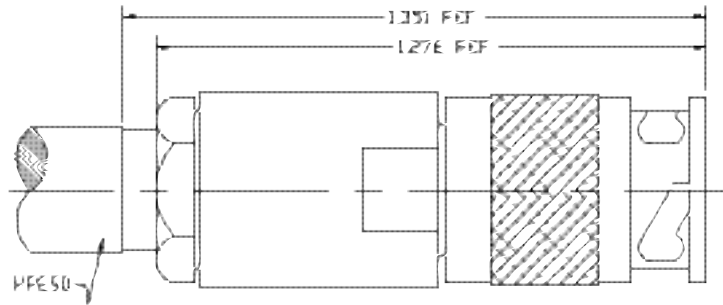
**Keying Options:**



**50-000-1529-01**

ZMA Plug to HP290 Solder  
Clamp

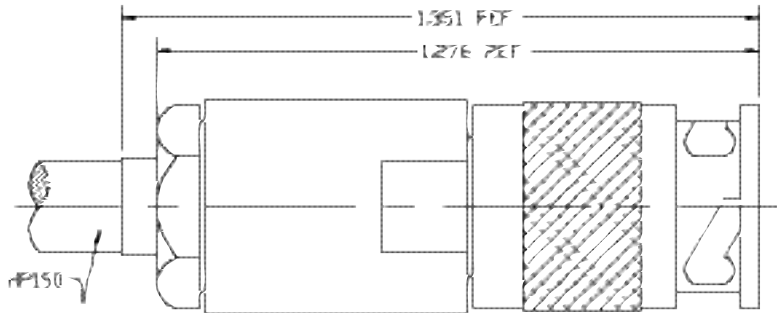
DC-18 GHz



**50-000-1590-01**

ZMA Plug to HP190 Solder  
Clamp

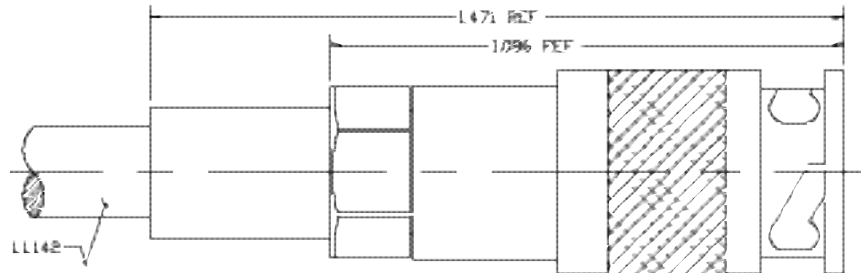
DC-18 GHz



**50-000-1597-01**

ZMA Plug to LL142 Solder  
Clamp

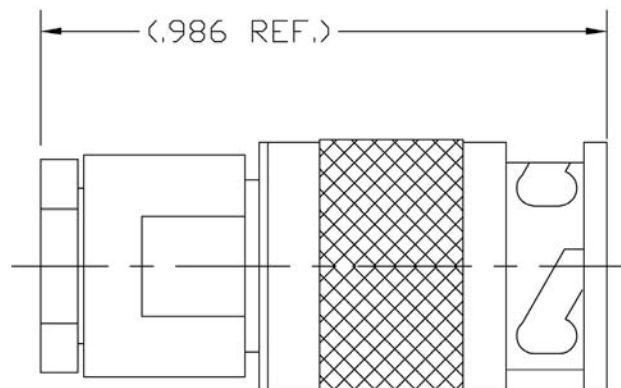
DC-18 GHz



**50-000-1541-01**

ZMA Plug to .141 S/R Solder  
Clamp

DC-18 GHz



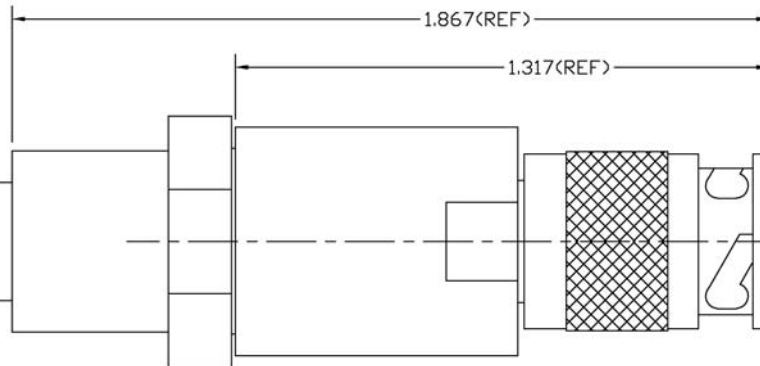


**50-000-1554-01**

ZMA Plug to IW2801  
Solder Clamp

DC-18 GHz

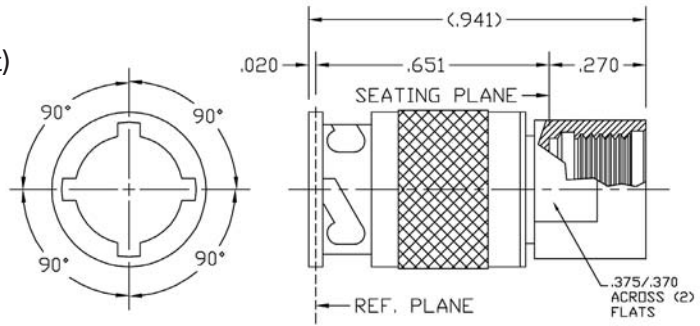
IW2801 CABLE



**50-000-1576-01**

ZMA Plug to UFB142A  
(Not Included: Solder Ferrule and Clamp Nut)

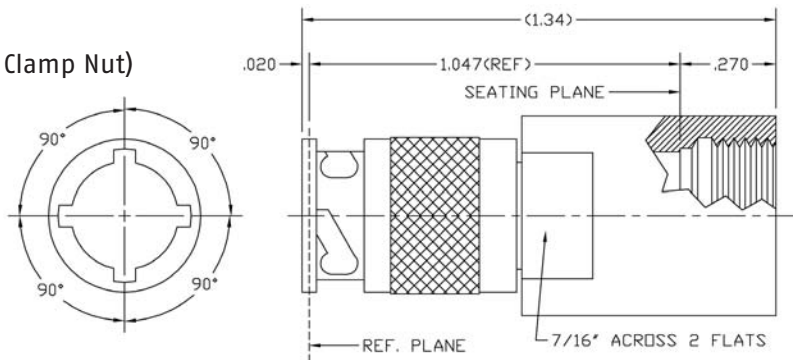
DC-18 GHz



**50-000-1577-01**

ZMA Plug to UFB311A  
(Not Included: Solder Ferrule and Clamp Nut)

DC-18 GHz

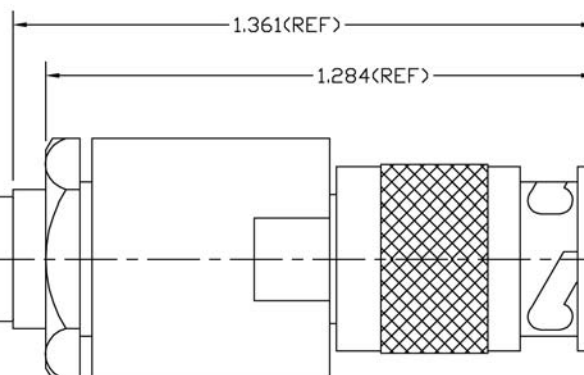


**50-000-1589-00**

ZMA Plug to LLS290 Solder  
Clamp

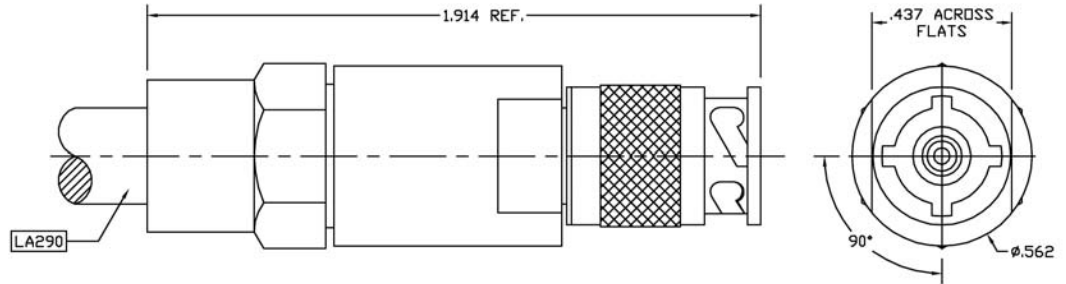
DC-18 GHz

LLS290 CABLE



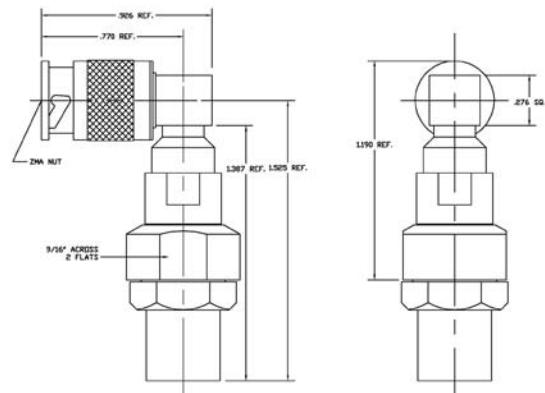
**50-000-1598-01**  
ZMA Plug to LA290 Solder  
Clamp

DC-18 GHz



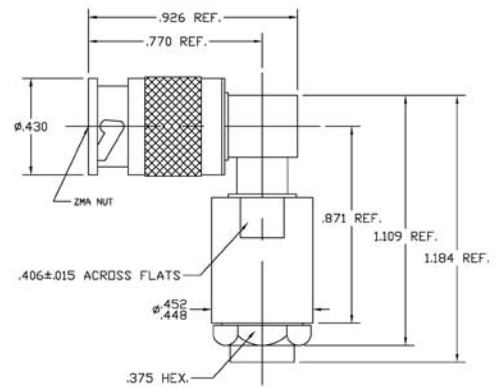
**50-040-1531-01**  
ZMA Plug R/A to HF290  
Solder Clamp

DC-18 GHz



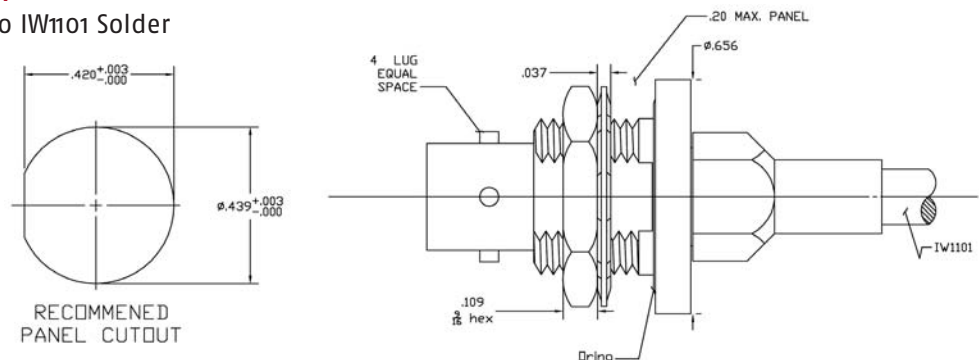
**50-040-1598-01**  
ZMA Plug R/A to LA290  
Solder Clamp

DC-18 GHz



**51-020-1551-01**  
ZMA Jack Bulkhead to IW1101 Solder  
Clamp

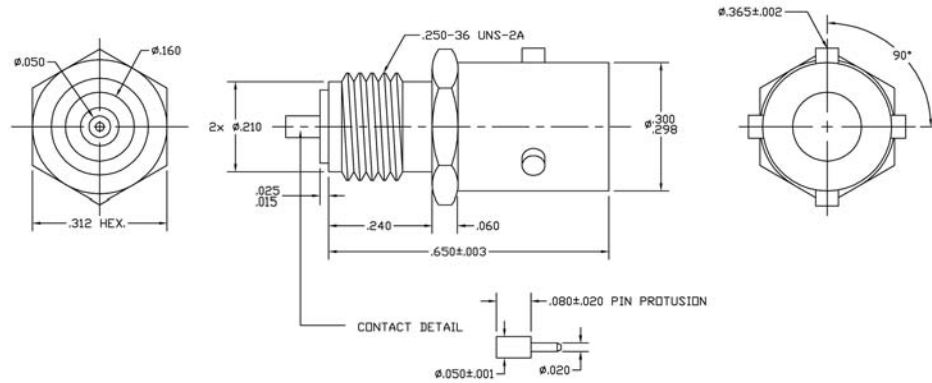
DC-18 GHz



**51-100-1000-01**

ZMA Jack Stripline

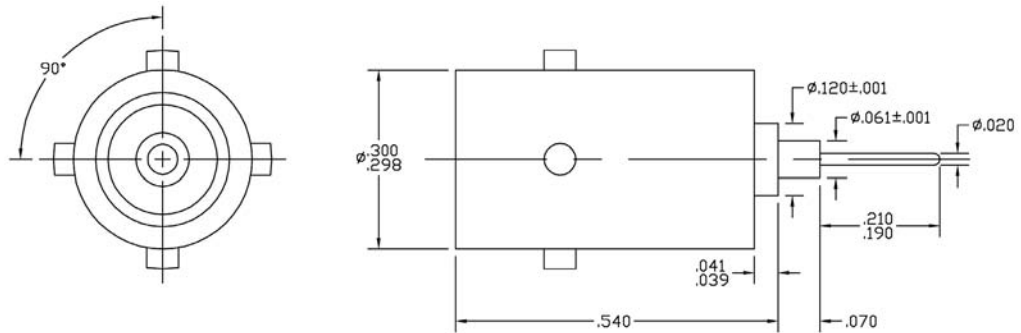
DC-18 GHz



**51-100-1040-01**

ZMA Jack End Launch  
Hermetic

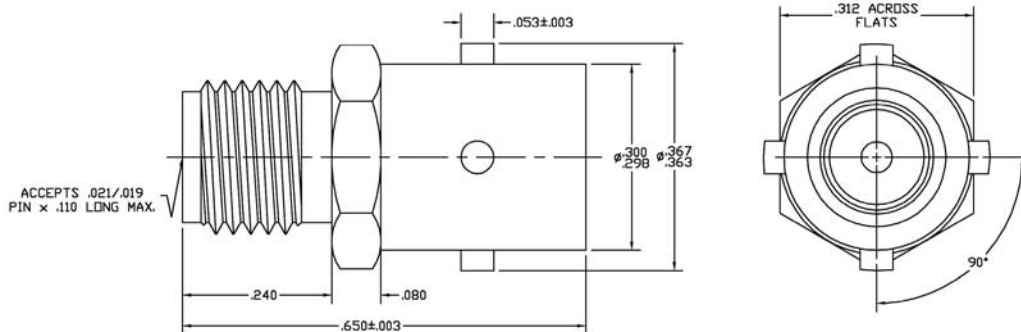
DC-18 GHz



**51-150-1500-01**

ZMA Jack Sparkplug  
Accepts .020" Diameter Pin

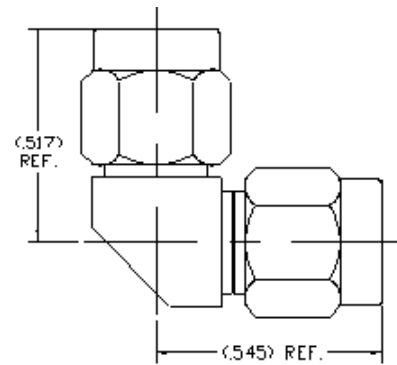
DC-18 GHz



These products offer users with applications requiring critical performance to at last design in a right angle without affecting performance – maybe even improve it! The VSWR of the SUPERITES<sup>SM</sup> SMA is a maximum of 1.15:1 to 27GHz! This product is available in plug to plug, jack to jack, and plug to jack. Details are at our web site.

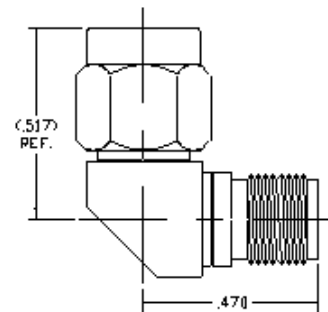
**20-920-4200-00**  
SMA Plug to SMA Plug R/A

DC-27 GHz



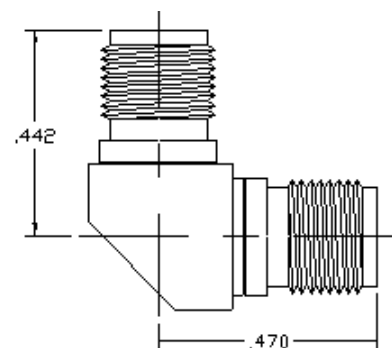
**20-921-4200-00**  
SMA Plug to SMA Jack R/A

DC-27 GHz



**21-921-4200-00**  
SMA Jack to SMA Jack R/A

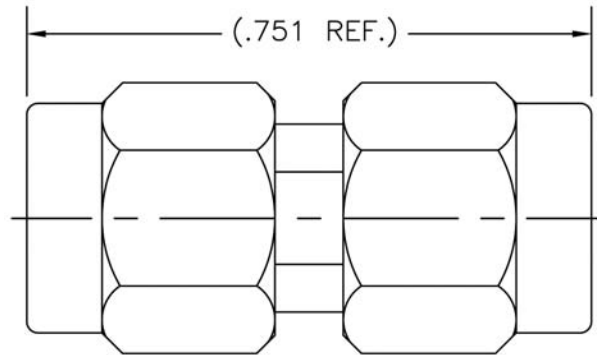
DC-27 GHz



**20-924-0000-00**

SMA Plug to 2.9mm Plug

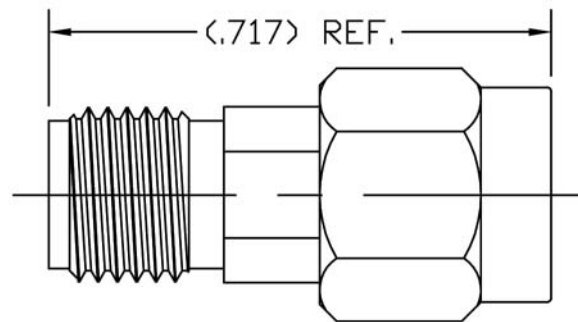
DC-27 GHz



**20-925-0000-00**

SMA Plug to 2.9mm Jack

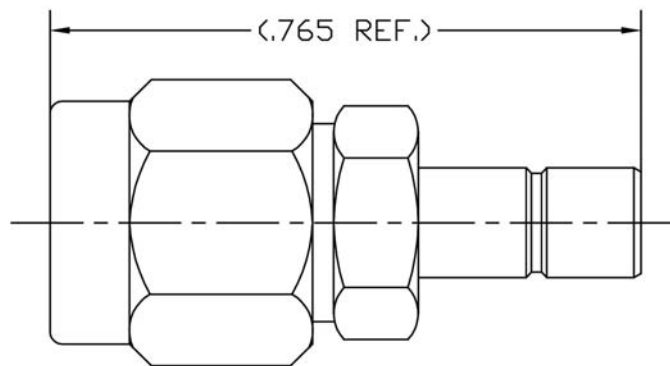
DC-27 GHz



**20-930-0000-00**

SMA Plug to  
SMB Jack (Male Contact)

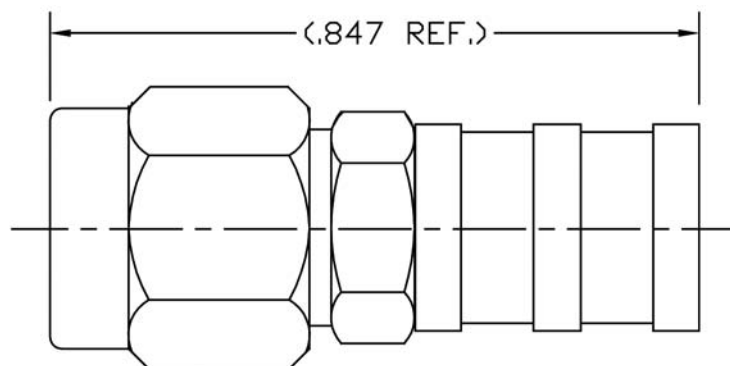
DC-4 GHz



**20-931-0000-00**

SMA Plug to  
SMB Plug (Female Contact)

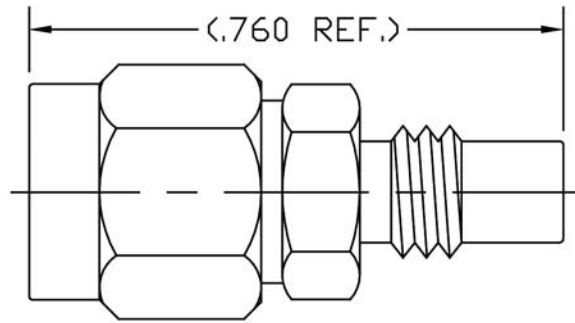
DC-4 GHz



**20-932-0000-00**

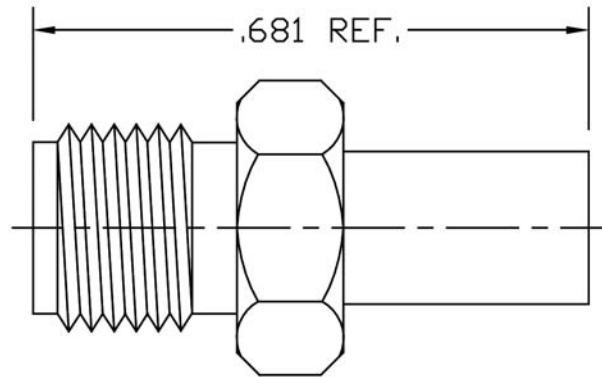
SMA Plug to  
SMC Jack (Male Contact)

DC-10 GHz



**21-918-0000-00**

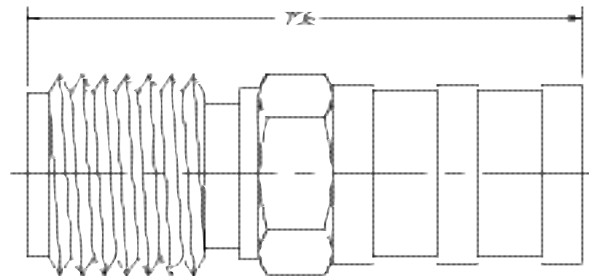
SMA Jack to SSIS Plug



**21-931-0000-00**

SMA Jack to  
SMB Plug (Female Contact)

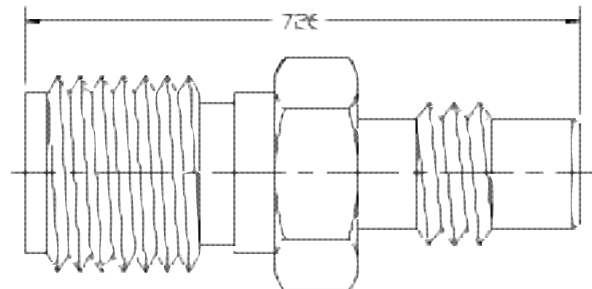
DC-4 GHz



**21-932-0000-00**

SMA Jack to  
SMC Jack (Male Contact)

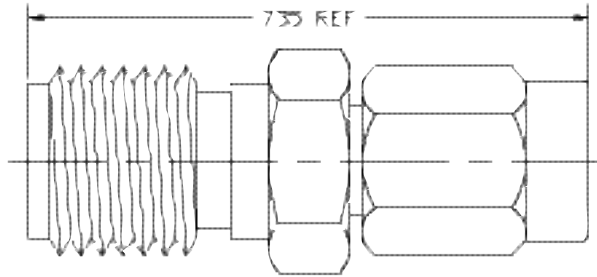
DC-10 GHz



**21-933-0000-00**

SMA Jack to  
SMC Plug (Female Contact)

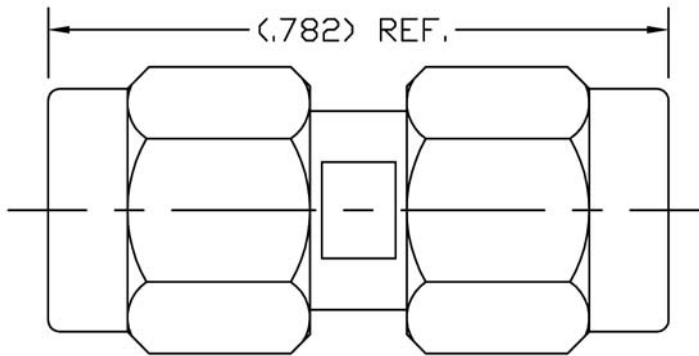
DC-10 GHz



**22-920-0000-00**

3.5mm Plug to SMA Plug

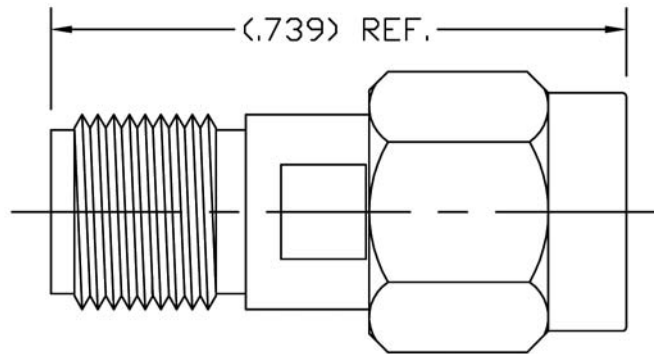
DC-27 GHz



**22-921-0000-00**

3.5mm Plug to SMA Jack

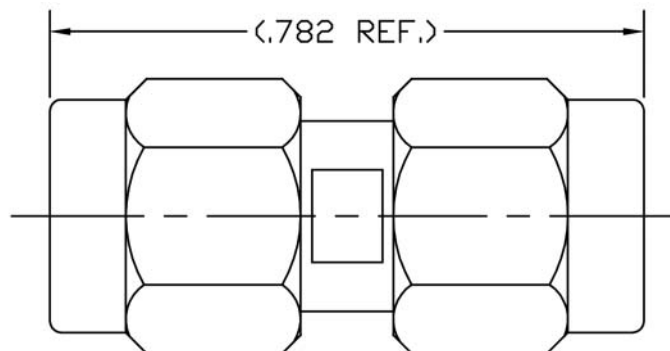
DC-27 GHz



**22-924-0000-90**

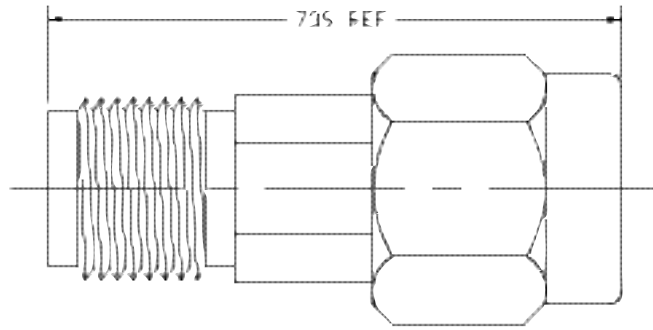
3.5mm Plug to 2.9mm Plug

DC-34.5 GHz



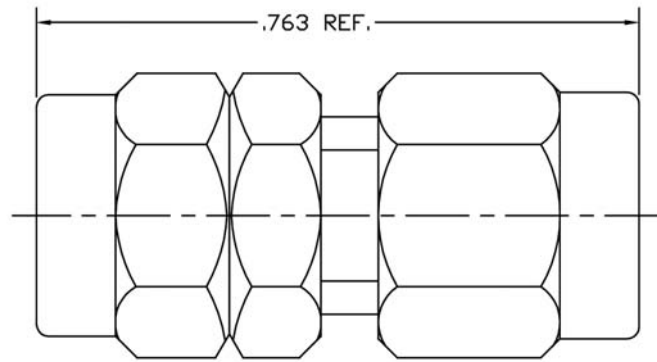
**22-925-0000-90**  
3.5mm Plug to 2.9mm Jack

DC-34.5 GHz



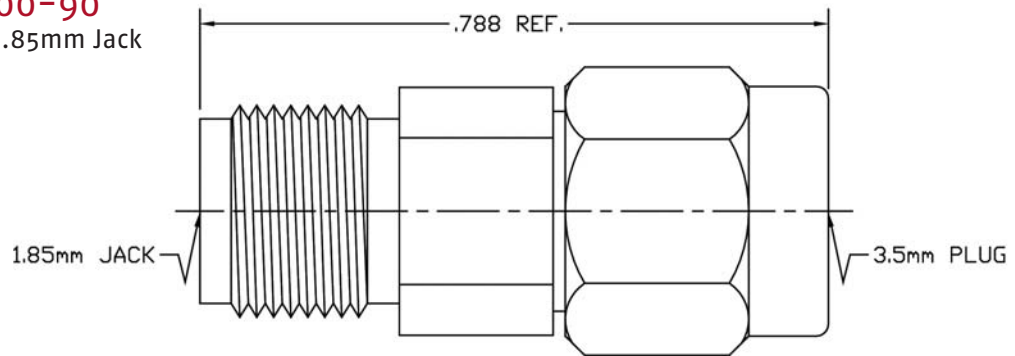
**22-984-0000-90**  
3.5mm Plug to 1.85mm Plug

DC-34.5 GHz



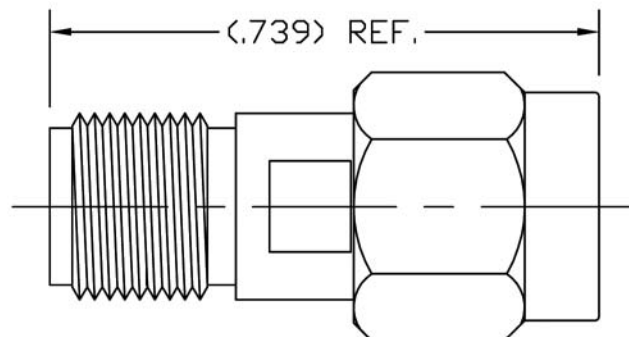
**22-985-0000-90**  
3.5mm Plug to 1.85mm Jack

DC-34.5 GHz



**23-920-0000-00**  
3.5mm Jack to SMA Plug

DC-27 GHz

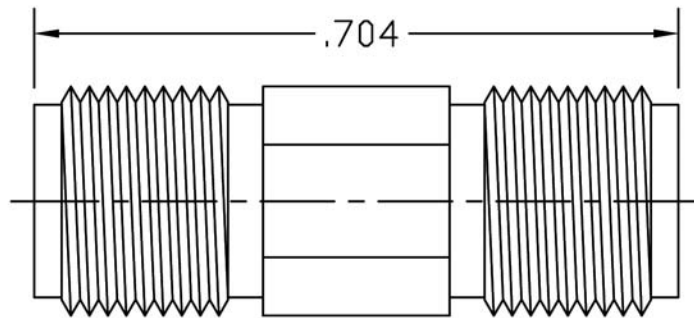




**23-921-0000-00**

3.5mm Jack to SMA Jack

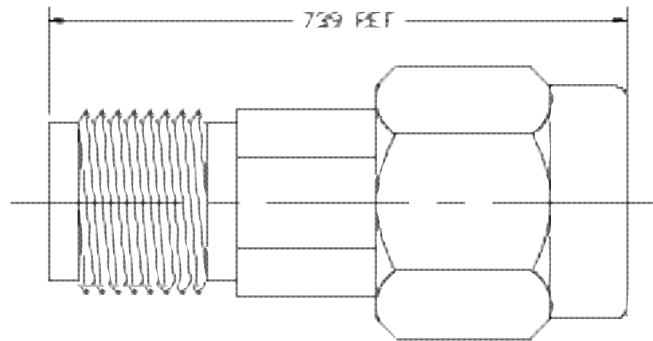
DC-27 GHz



**23-924-0000-90**

3.5mm Jack to 2.9mm Plug

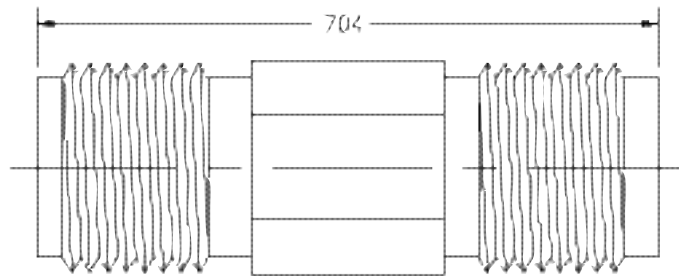
DC-34.5 GHz



**23-925-0000-90**

3.5mm Jack to 2.9mm Jack

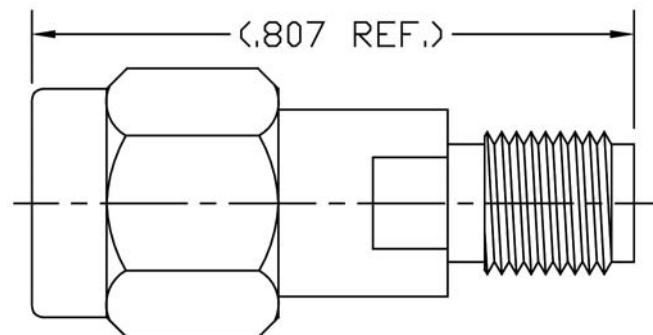
DC-34.5 GHz



**24-913-0000-90**

2.9mm Plug to SSMA Jack

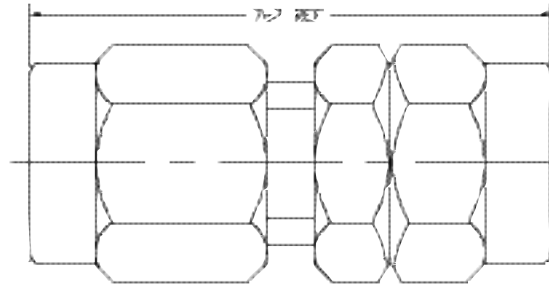
DC-40 GHz



**24-984-0000-90**

2.9mm Plug to 1.85mm Plug

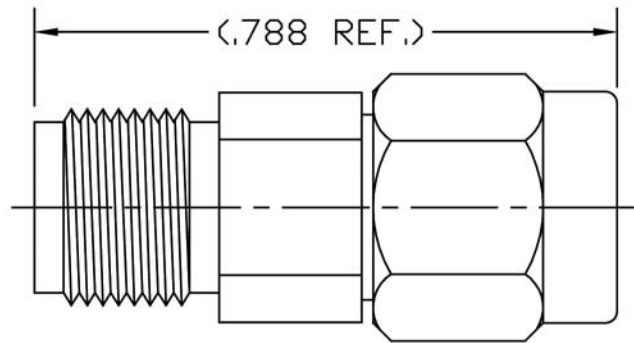
DC-40 GHz



**24-985-0000-90**

2.9mm Plug to 1.85mm Jack

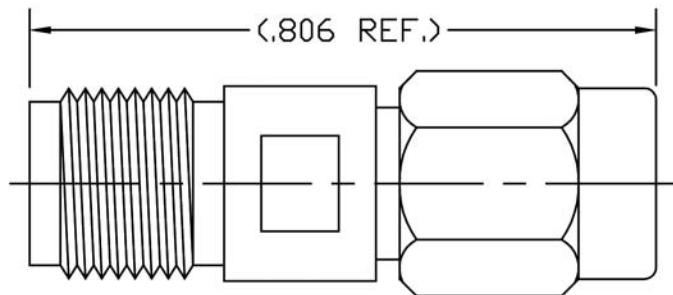
DC-40 GHz



**25-912-0000-90**

2.9mm Jack to SSMA Plug

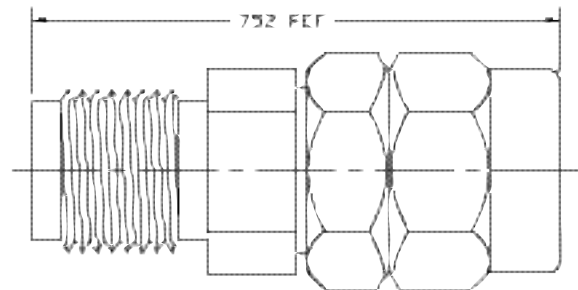
DC-40 GHz



**25-984-0000-90**

2.9mm Jack to 1.85mm Plug

DC-40 GHz

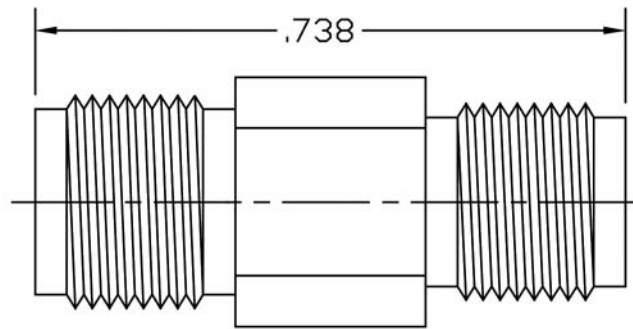


## Between-Series Adaptors

### 25-985-0000-90

2.9mm Jack to 1.85mm Jack

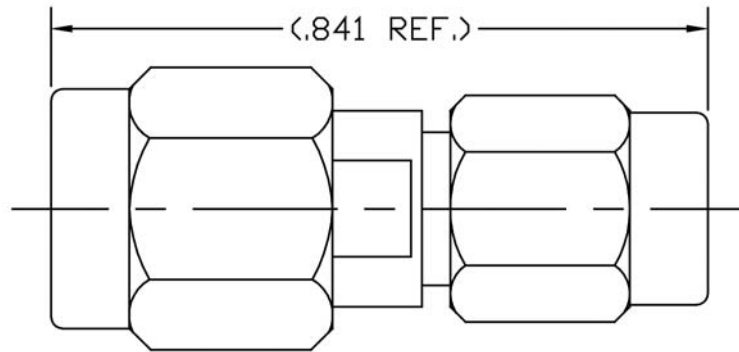
DC-40 GHz



### 26-912-0000-90

2.4mm Plug to SSMA Plug

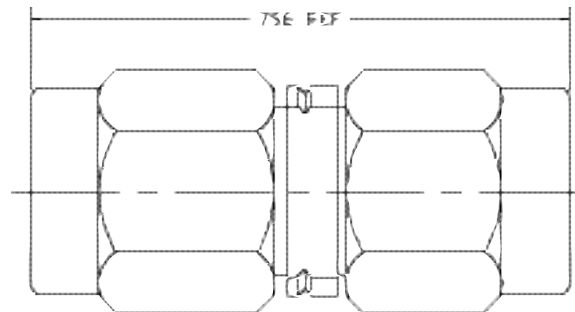
DC-38 GHz



### 26-920-0000-00

2.4mm Plug to SMA Plug

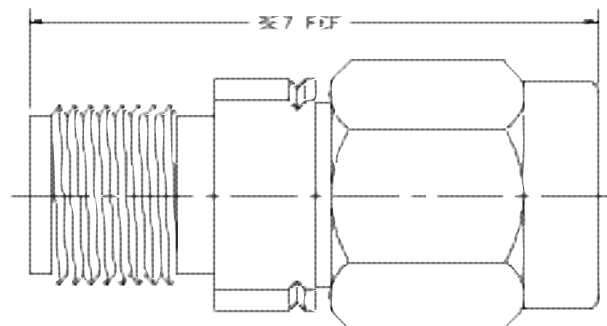
DC-27 GHz



### 26-921-0000-00

2.4mm Plug to SMA Jack

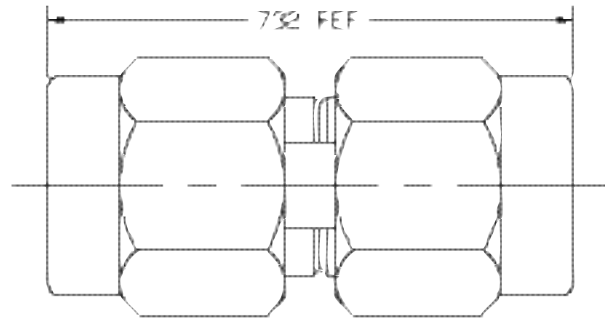
DC-27 GHz



**26-922-0000-90**

2.4mm Plug to 3.5mm Plug

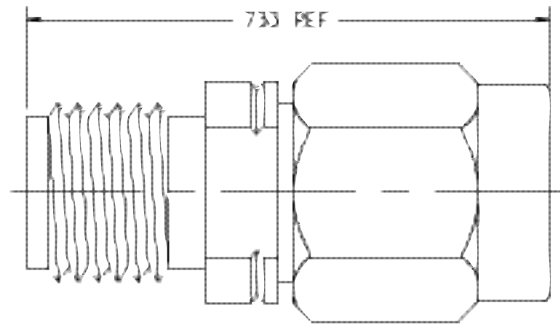
DC-34.5 GHz



**26-923-0000-90**

2.4mm Plug to 3.5mm Jack

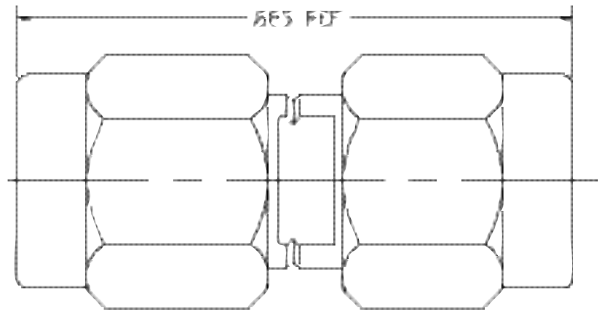
DC-34.5 GHz



**26-924-0000-90**

2.4mm Plug to 2.9mm Plug

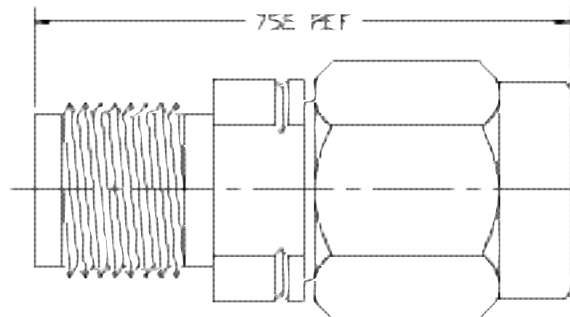
DC-40 GHz



**26-925-0000-90**

2.4mm Plug to 2.9mm Jack

DC-40 GHz

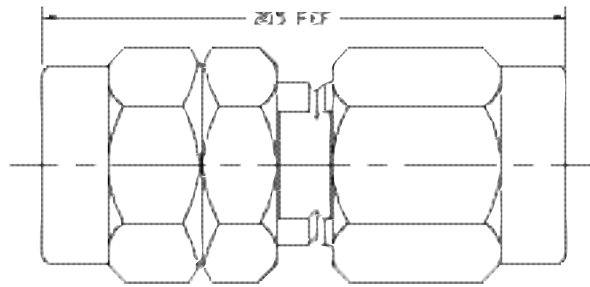


## Between-Series Adaptors

### 26-984-0000-40

2.4mm Plug to 1.85mm Plug

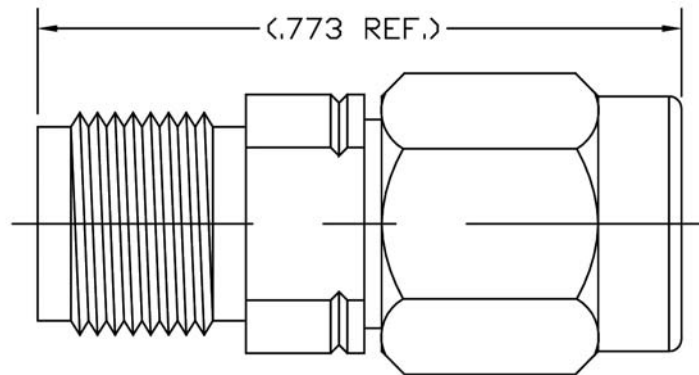
DC-50 GHz



### 26-985-0000-40

2.4mm Plug to 1.85mm Jack

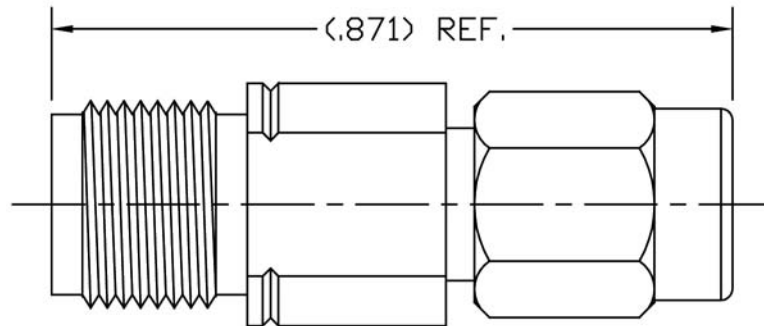
DC-50 GHz



### 27-912-0000-90

2.4mm Jack to SSMA Plug

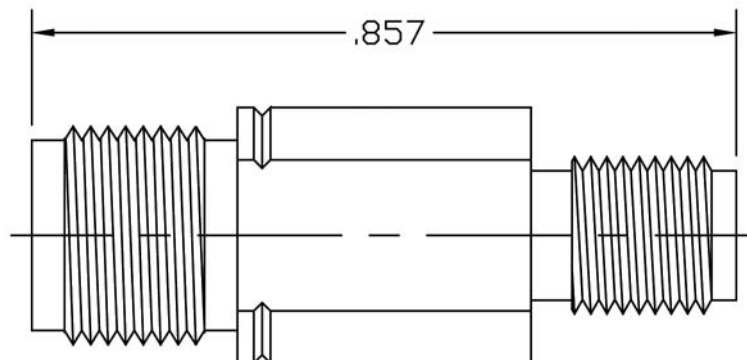
DC-38 GHz



### 27-913-0000-90

2.4mm Jack to SSMA Jack

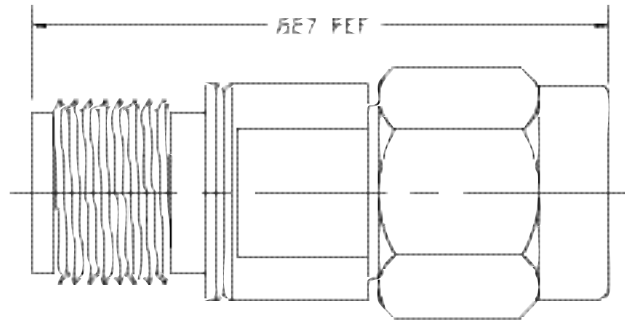
DC-38 GHz



**27-920-0000-00**

2.4mm Jack to SMA Plug

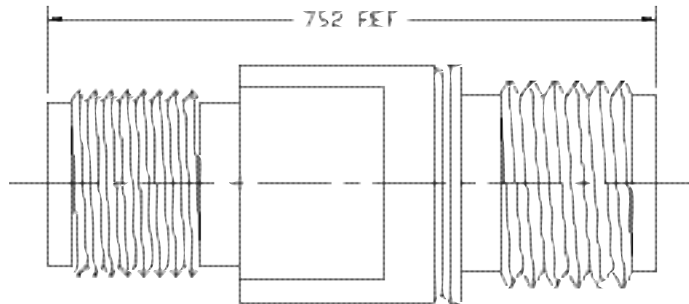
DC-27 GHz



**27-921-0000-00**

2.4mm Jack to SMA Jack

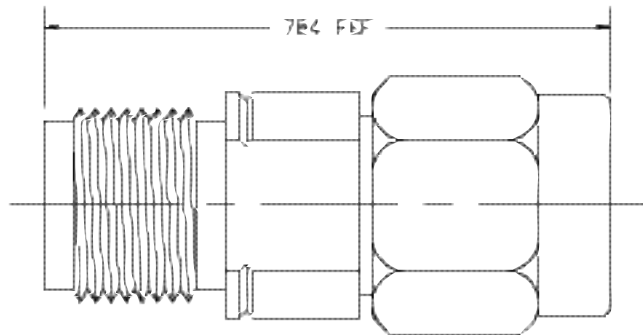
DC-27 GHz



**27-922-0000-90**

2.4mm Jack to 3.5mm Plug

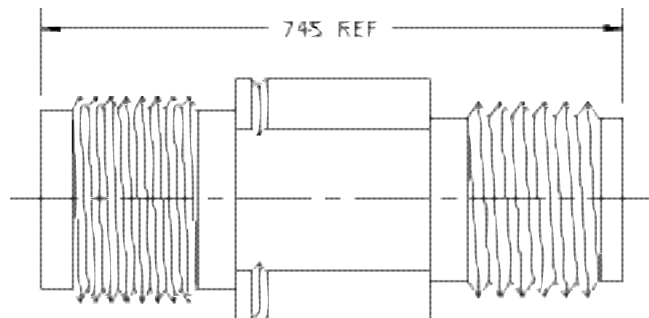
DC-34.5 GHz



**27-923-0000-90**

2.4mm Jack to 3.5mm Jack

DC-34.5 GHz

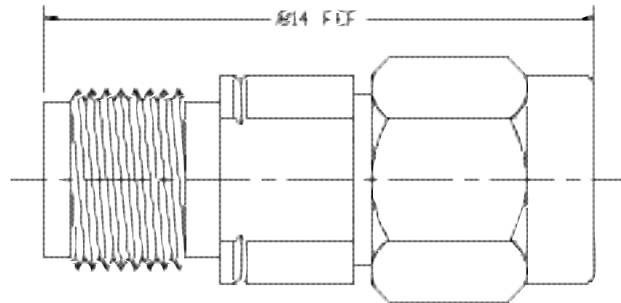


## Between-Series Adaptors

### 27-924-0000-90

2.4mm Jack to 2.9mm Plug

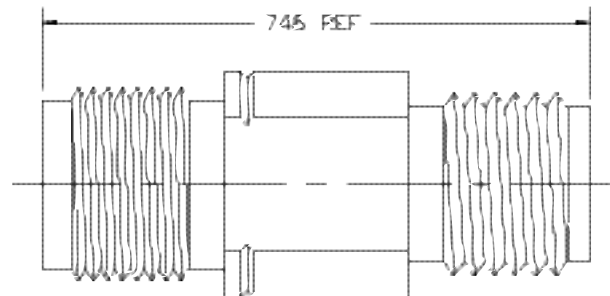
DC-40 GHz



### 27-925-0000-90

2.4mm Jack to 2.9mm Jack

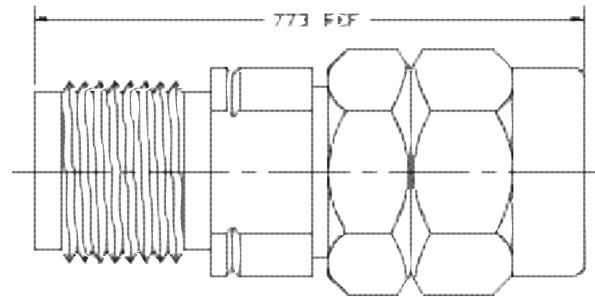
DC-40 GHz



### 27-984-0000-40

2.4mm Jack to 1.85mm Plug

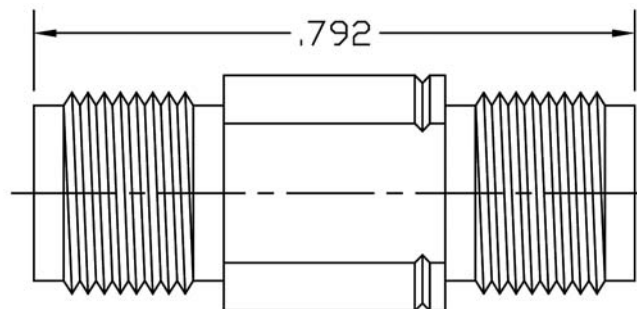
DC-50 GHz



### 27-985-0000-40

2.4mm Jack to 1.85mm Jack

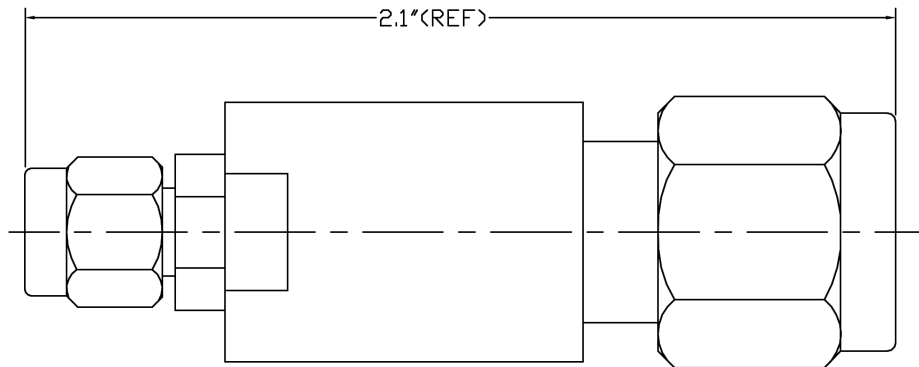
DC-50 GHz



**40-920-0000-7**

**0**  
TNC Plug to SMA Plug

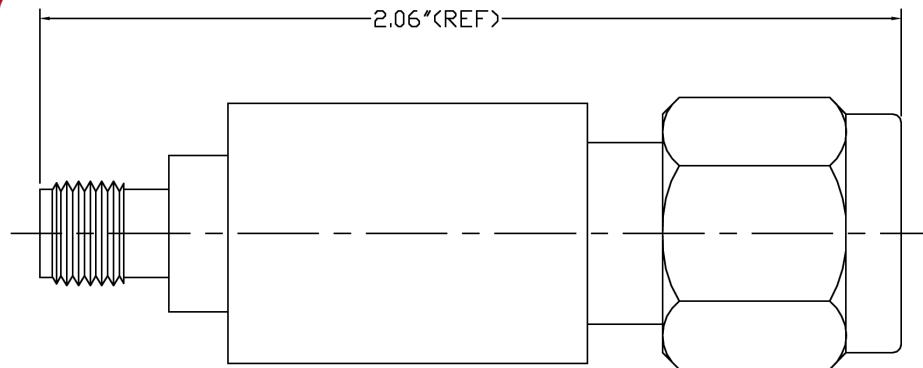
DC-18 GHz



**40-921-0000-7**

**0**  
TNC Plug to SMA Jack

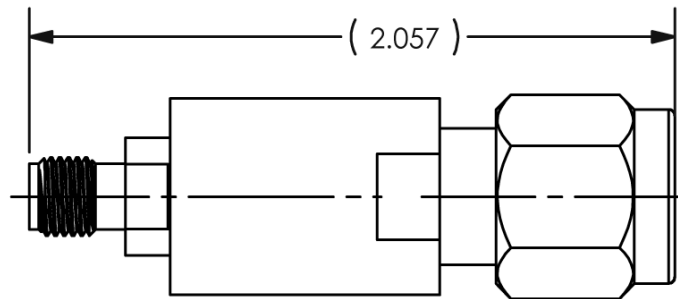
DC-18 GHz



**40-923-0000-70**

TNC Plug to 3.5mm Jack

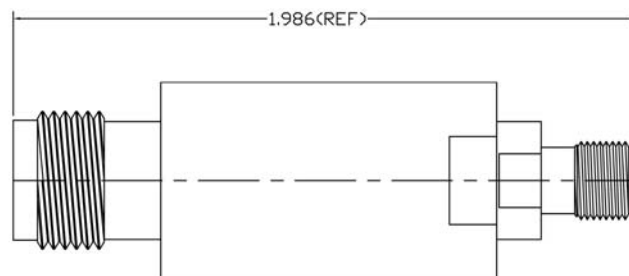
DC-18 GHz



**41-921-0000-70**

TNC Jack to SMA Jack

DC-18 GHz

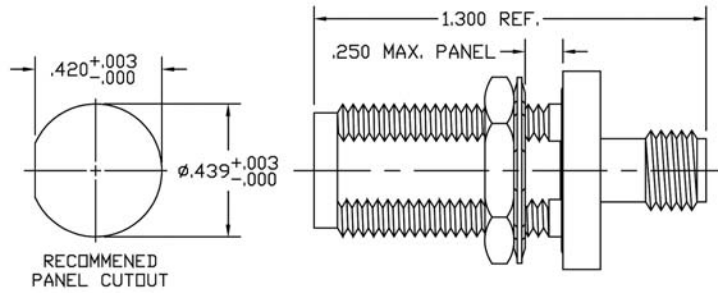




**41-921-2000-00**

TNC Jack to SMA Jack  
Bulkhead Mount

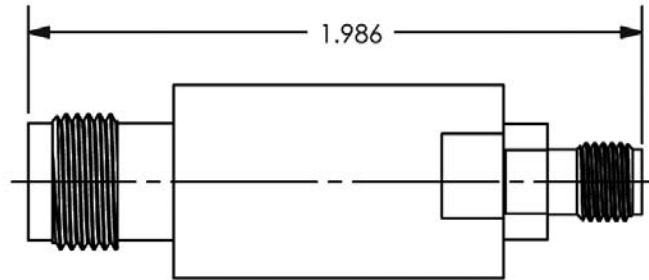
DC-18 GHz



**41-923-0000-70**

TNC Jack to 3.5mm Jack

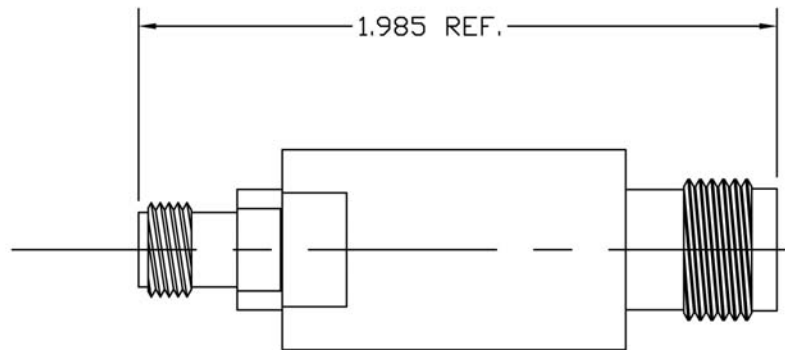
DC-18 GHz



**41-925-0000-70**

TNC Jack to 2.9mm Jack

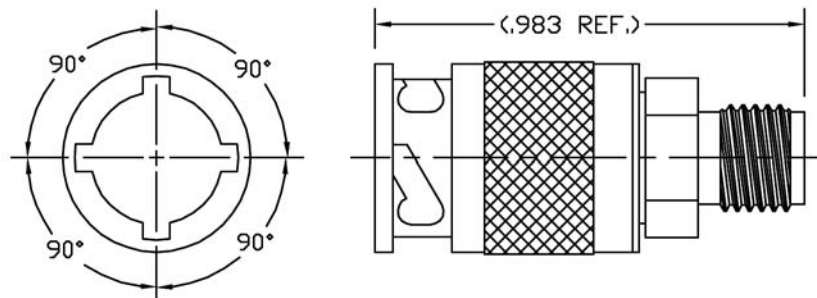
DC-18 GHz



**50-921-0000-01**

ZMA Plug to SMA Jack

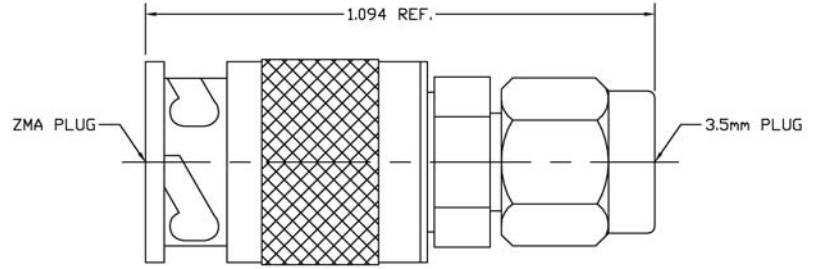
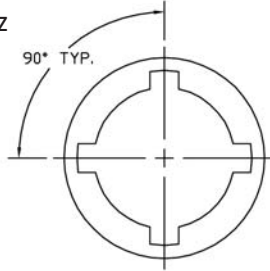
DC-18 GHz



**50-922-0000-91**

ZMA Plug to 3.5mm Plug

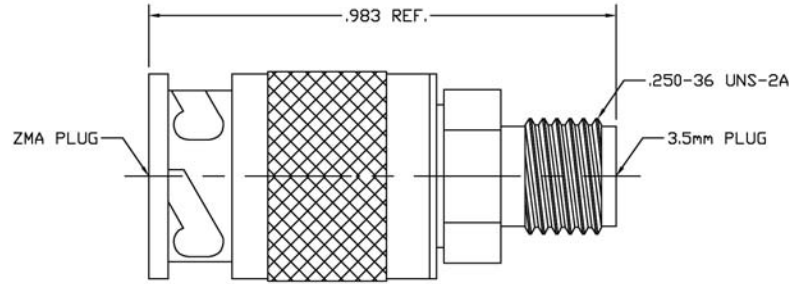
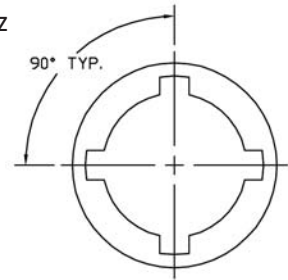
DC-18 GHz



**50-923-0000-91**

ZMA Plug to 3.5mm Jack

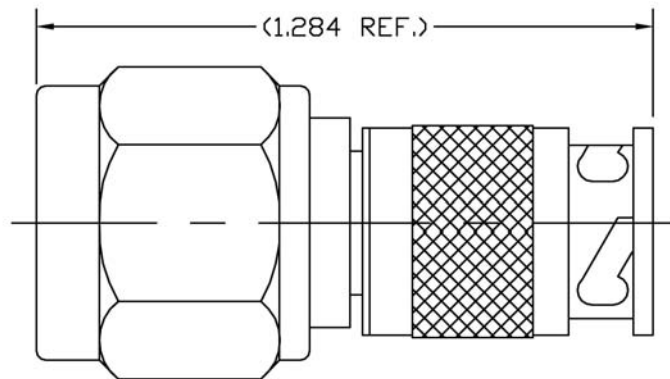
DC-18 GHz



**50-940-0000-01**

ZMA Plug to TNC Plug

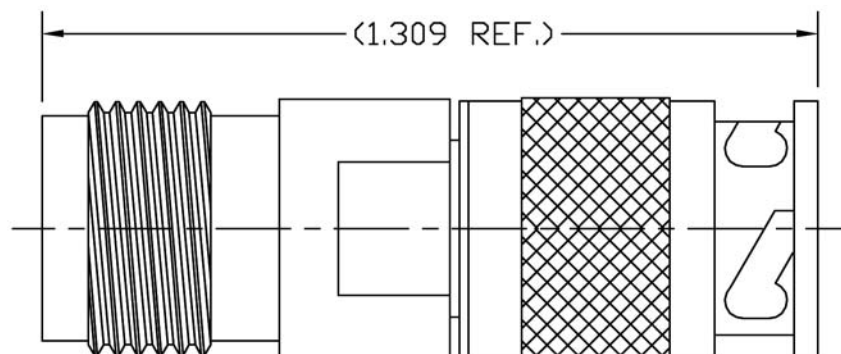
DC-18 GHz



**50-941-0000-01**

ZMA Plug to TNC Jack

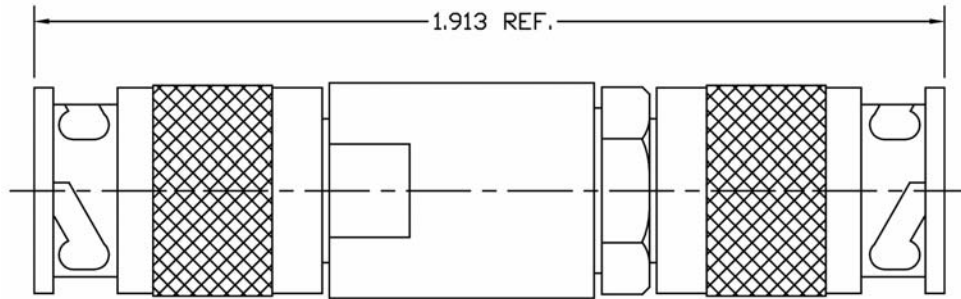
DC-18 GHz



**50-950-0000-01**

ZMA Plug to ZMA Plug

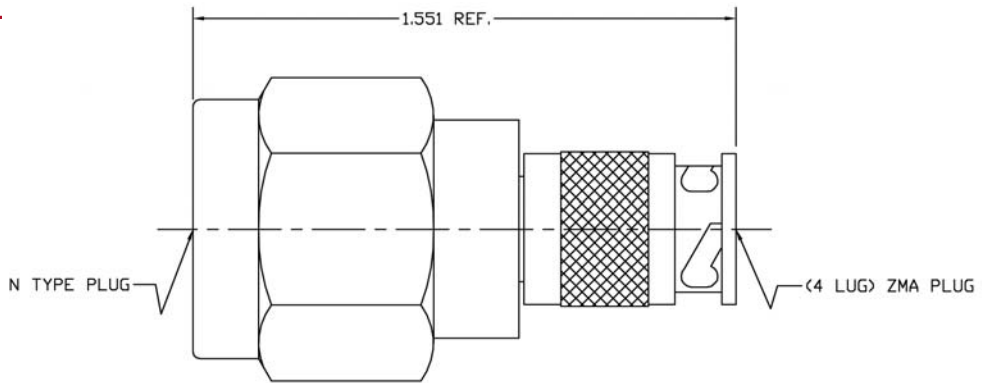
DC-18 GHz



**50-952-0000**

ZMA Plug to N Plug

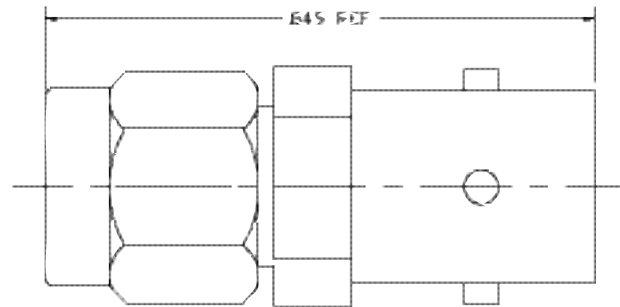
DC-18 GHz



**51-920-0000-01**

ZMA Jack to SMA Plug

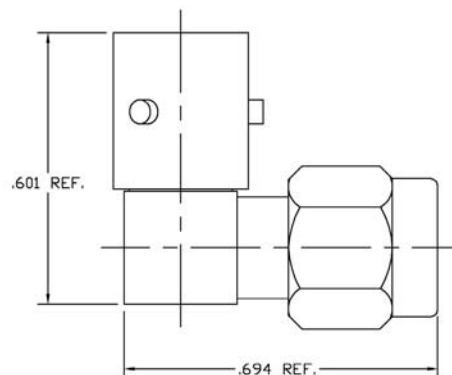
DC-18 GHz



**51-920-2010-02**

ZMA Jack to SMA Plug R/A

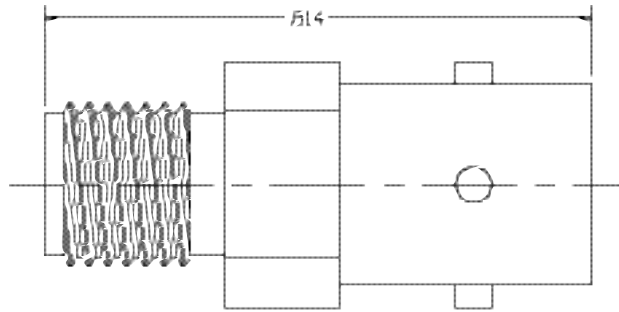
DC-18 GHz



**51-921-0000-01**

ZMA Jack to SMA Jack

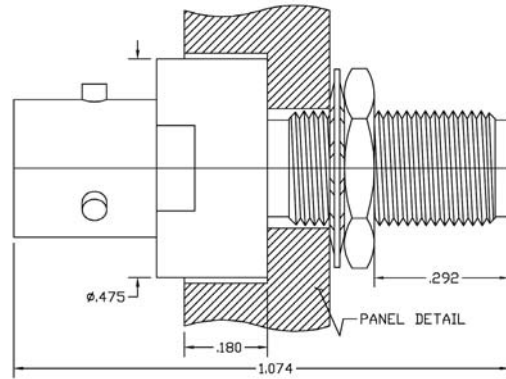
DC-18 GHz



**51-921-0200-02**

ZMA Jack to SMA Jack  
Bulkhead Mount

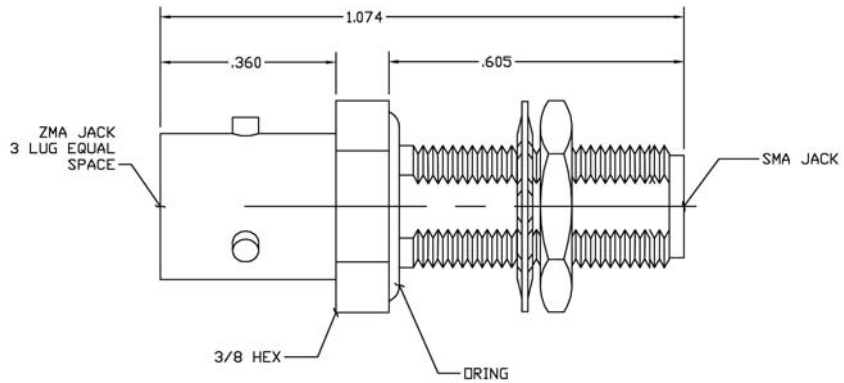
DC-18 GHz



**51-921-2050-02**

ZMA Jack to SMA Jack  
Bulkhead Mount

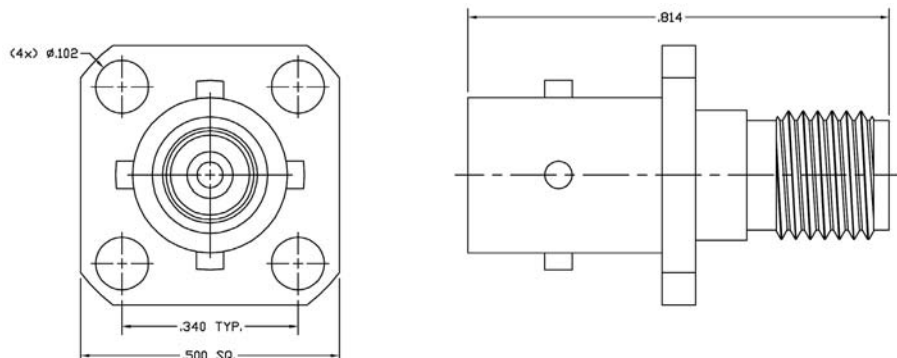
DC-18 GHz



**51-921-3100-01**

ZMA Jack to SMA Jack 4  
Hole Flange Mount

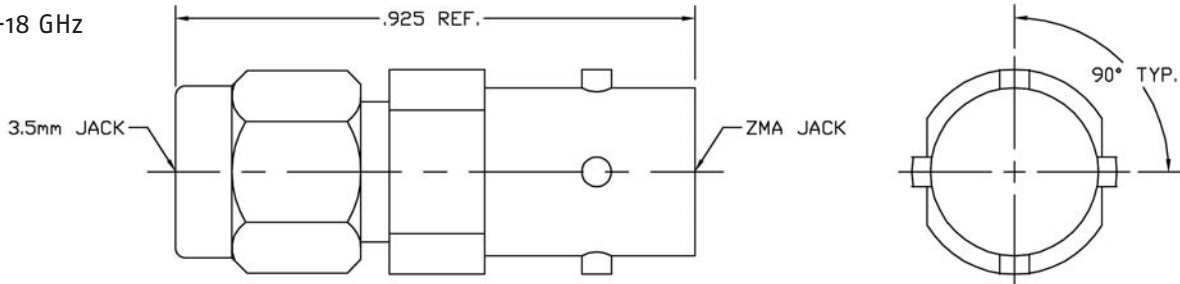
DC-18 GHz



**51-922-0000-91**

ZMA Jack to 3.5mm Plug

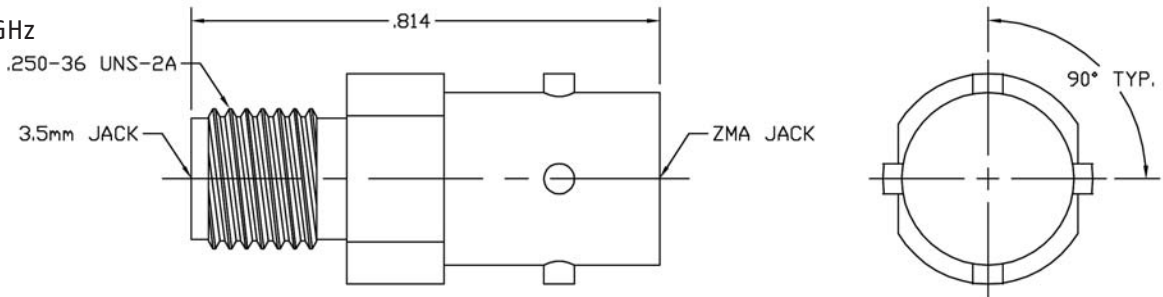
DC-18 GHz



**51-923-0000-91**

ZMA Jack to 3.5mm Jack

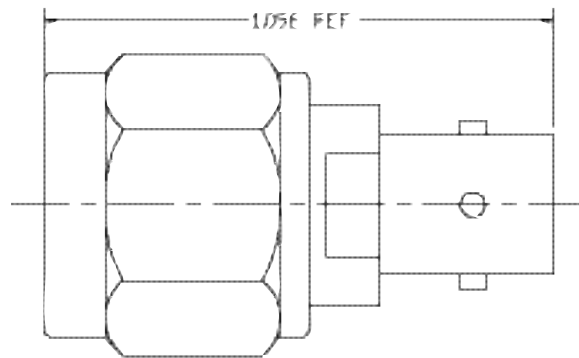
DC-18 GHz



**51-940-0000-01**

ZMA Jack to TNC Plug

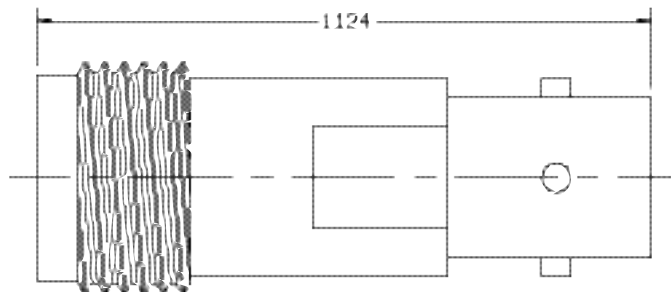
DC-18 GHz



**51-941-0000-01**

ZMA Jack to TNC Jack

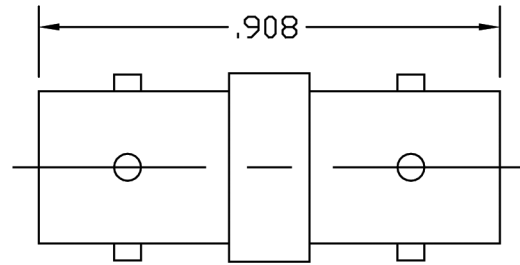
DC-18 GHz



**51-951-0000-01**

ZMA Jack to ZMA Jack

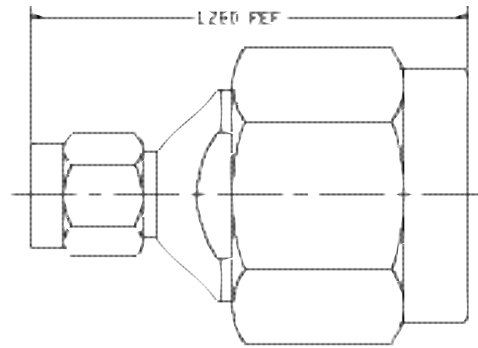
DC-18 GHz



**52-920-0000-00**

N Plug to SMA Plug

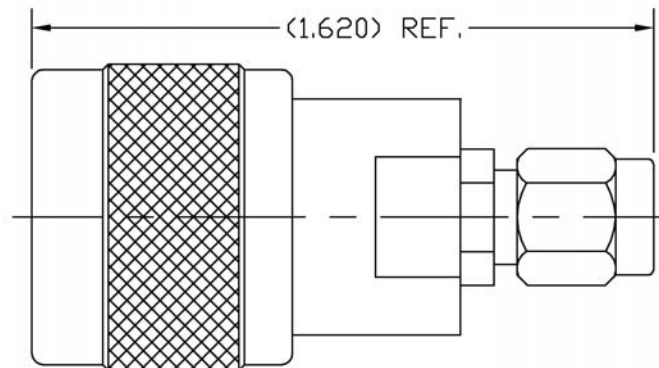
DC-18 GHz



**52-920-0003-70**

N Plug to SMA Plug

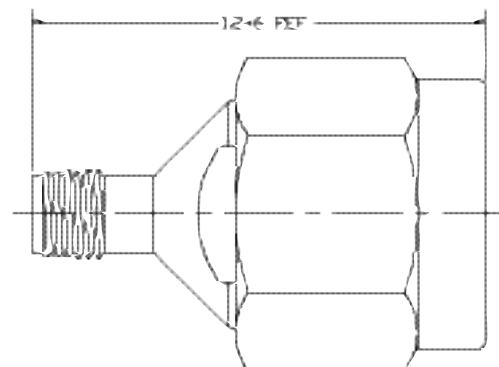
DC-18 GHz



**52-921-0000-00**

N Plug to SMA Jack

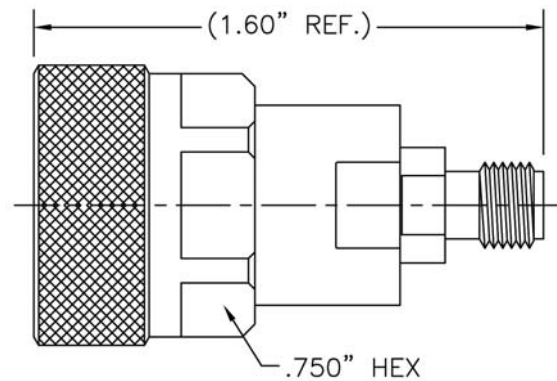
DC-18 GHz



**52-921-0000-70**

N Plug to SMA Jack

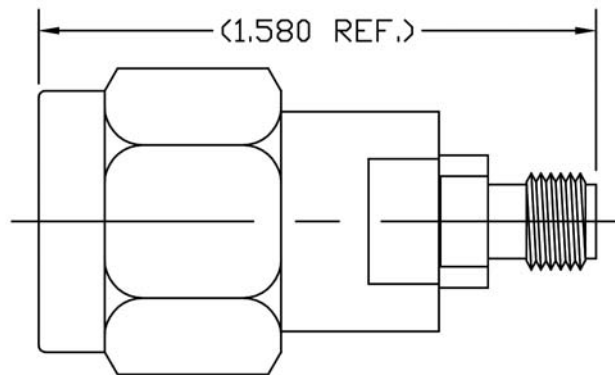
DC-18 GHz



**52-923-0000-70**

N Plug to 3.5mm Jack

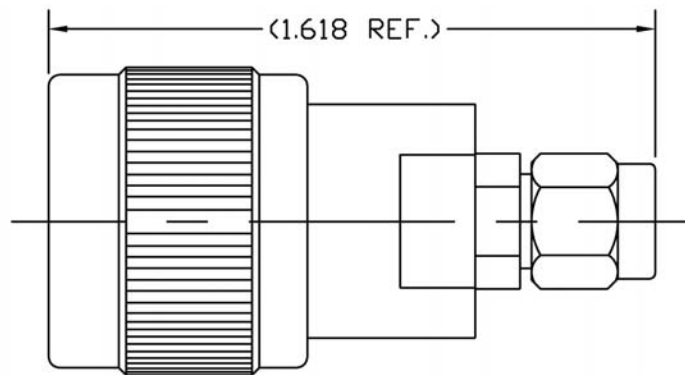
DC-18 GHz



**52-924-0000-70**

N Plug to 2.9mm Plug

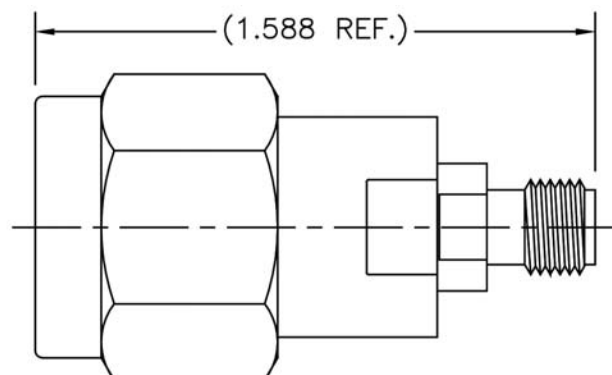
DC-18 GHz



**52-925-0000-70**

N Plug to 2.9mm Jack

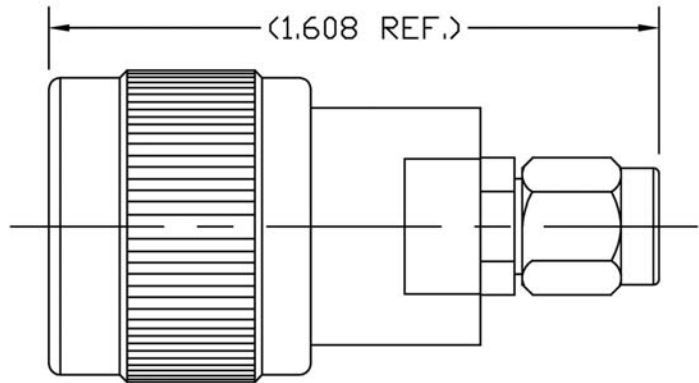
DC-18 GHz



**52-926-0000-70**

N Plug to 2.4mm Plug

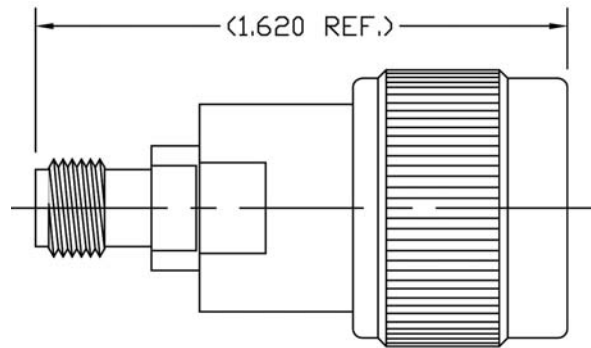
DC-18 GHz



**52-927-0000-70**

N Plug to 2.4mm Jack

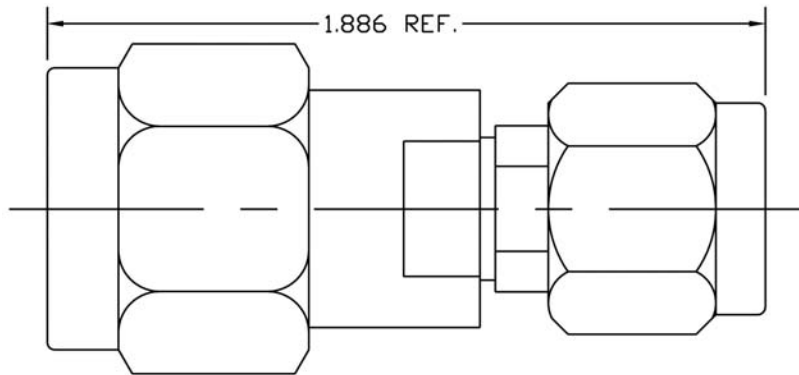
DC-18 GHz



**52-940-0000-70**

N Plug to TNC Plug

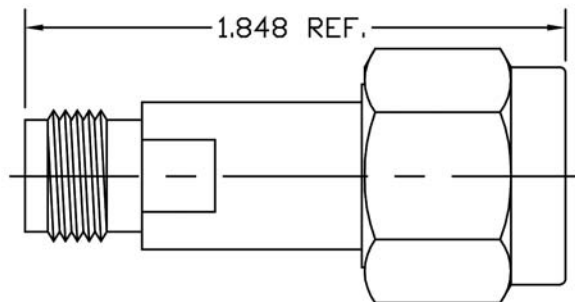
DC-18 GHz



**52-941-0000-00**

N Plug to TNC Jack

DC-18 GHz

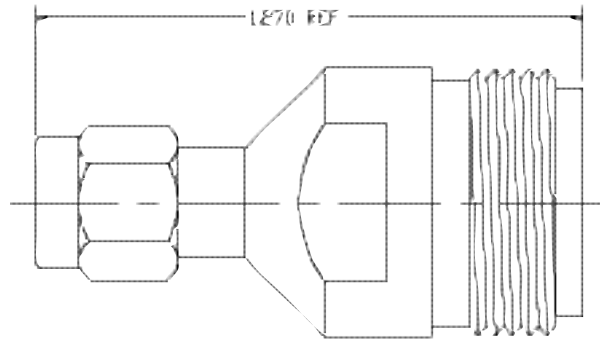




**53-920-0000-00**

N Jack to SMA Plug

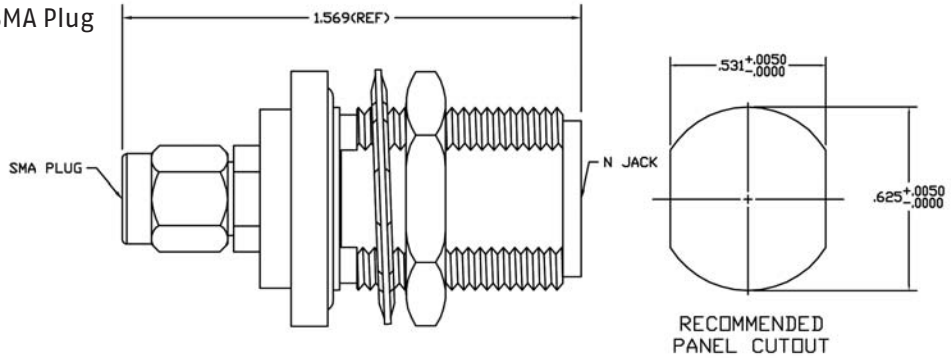
DC-18 GHz



**53-920-2000-70**

N Jack Bulkhead to SMA Plug

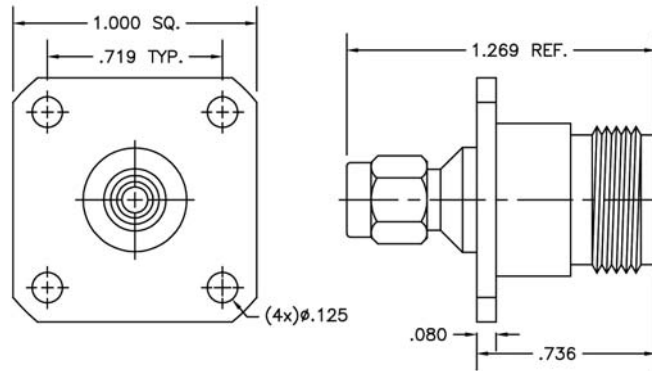
DC-18 GHz



**53-920-4000-00**

N Jack to SMA Plug 4 Hole Flange Mount

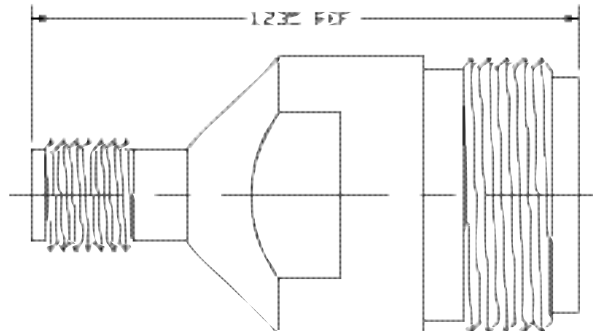
DC-18 GHz



**53-921-0000-00**

N Jack to SMA Jack

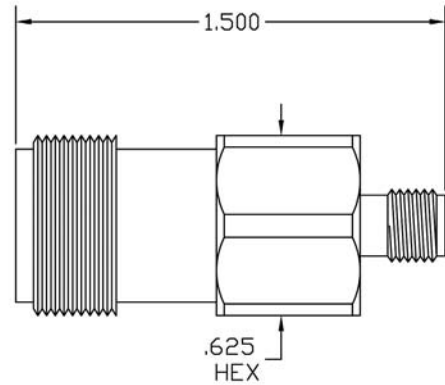
DC-18 GHz



**53-921-0000-70**

N Jack to SMA Jack

DC-18 GHz



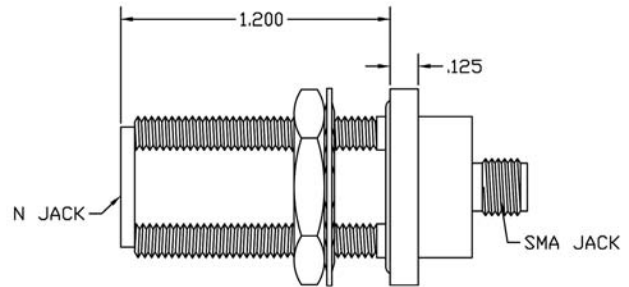
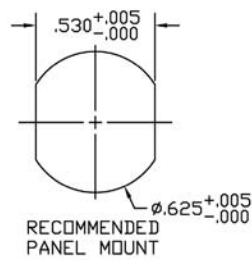
**53-921-2040-70**

N Jack to SMA Jack

Bulkhead Mount

Hermetic to  $1 \times 10^{-6}$  cc/s of He at 1atm

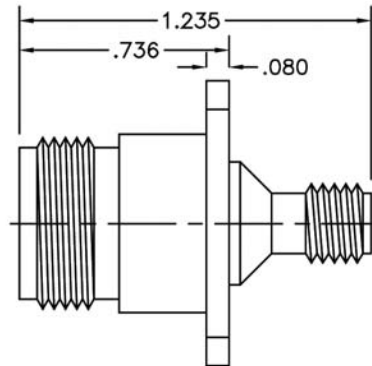
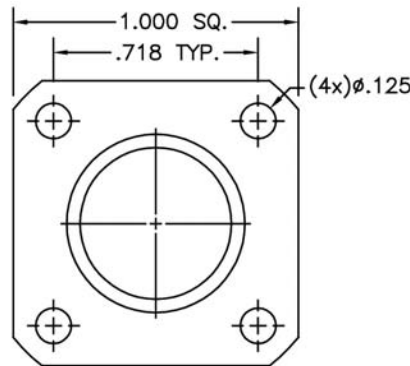
DC-18 GHz



**53-921-4000-00**

N Jack to SMA Jack 4 Hole Flange Mount

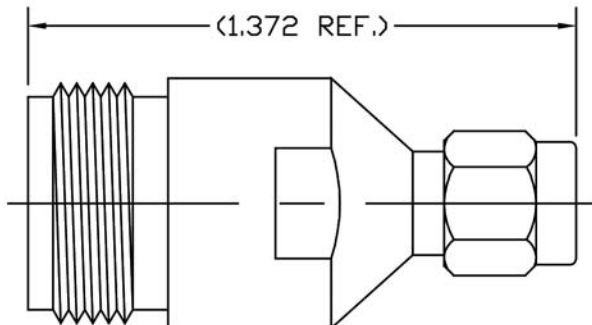
DC-18 GHz



**53-922-0000-70**

N Jack to 3.5mm Plug

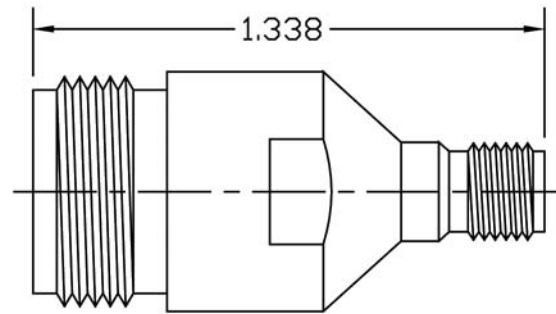
DC-18 GHz



**53-923-0000-70**

N Jack to 3.5mm Jack

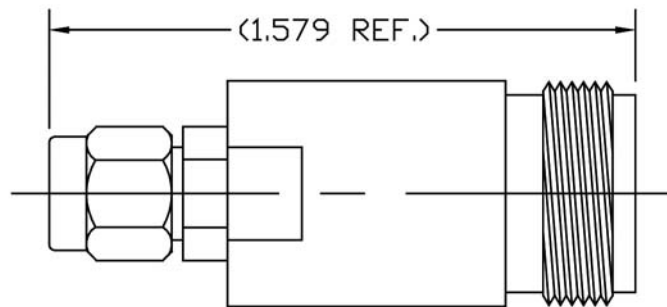
DC-18 GHz



**53-924-0000-70**

N Jack to 2.9mm Plug

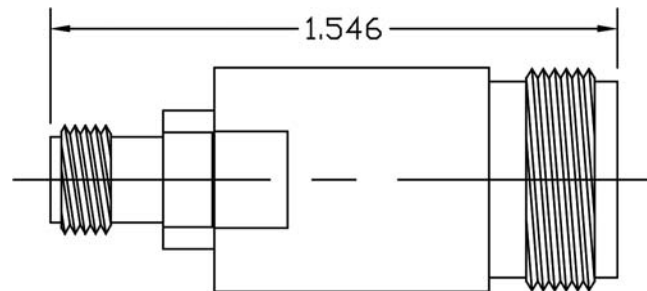
DC-18 GHz



**53-925-0000-70**

N Jack to 2.9mm Jack

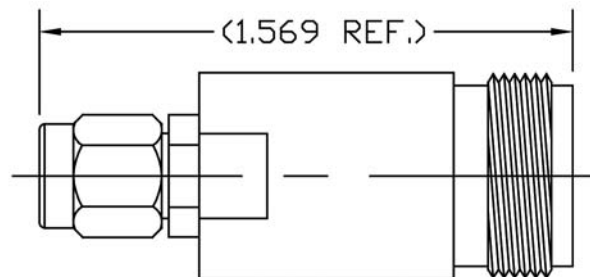
DC-18 GHz



**53-926-0000-70**

N Jack to 2.4mm Plug

DC-18 GHz

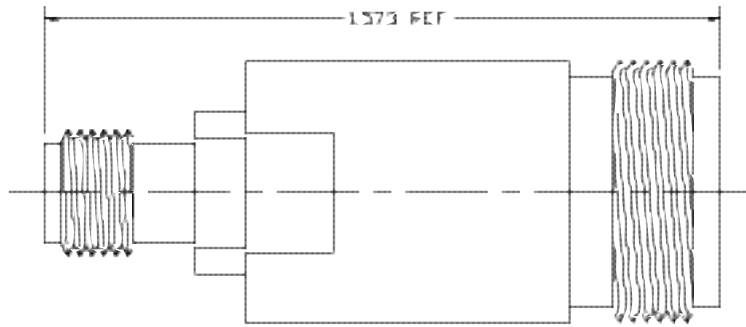


53-927-0000-7

0

N Jack to 2.4mm Jack

DC-18 GHz

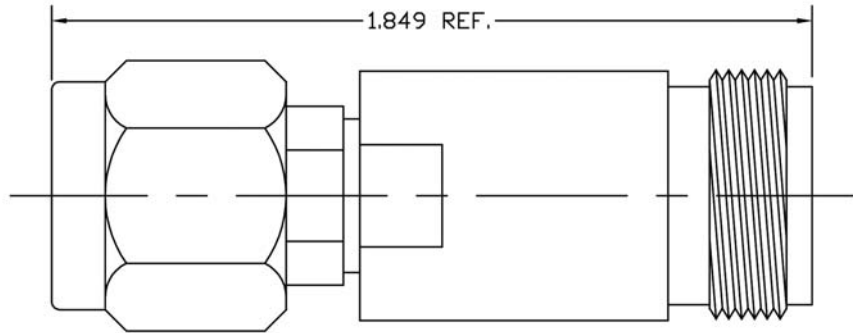


53-940-0000-7

0

N Jack to TNC Plug

DC-18 GHz

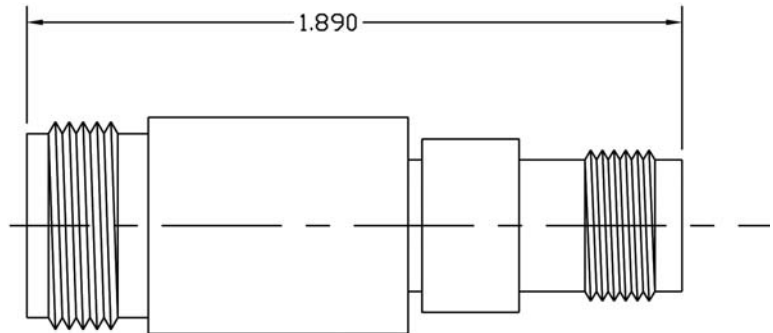


53-941-0000-7

0

N Jack to TNC Jack

DC-18 GHz

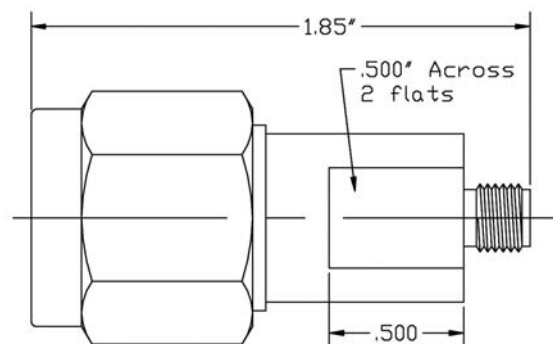


56-921-0000-7

0

SC Plug to SMA Jack

DC-12 GHz

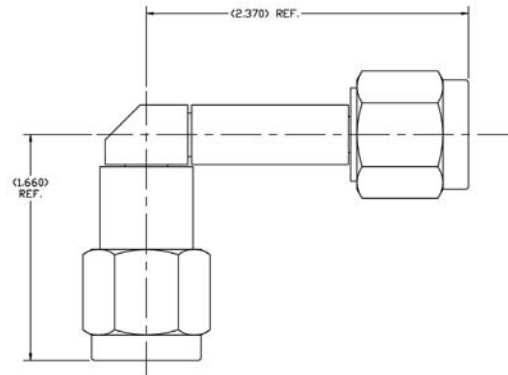


## Between-Series Adaptors

### 56-956-4100-00

SC Plug to SC Plug R/A

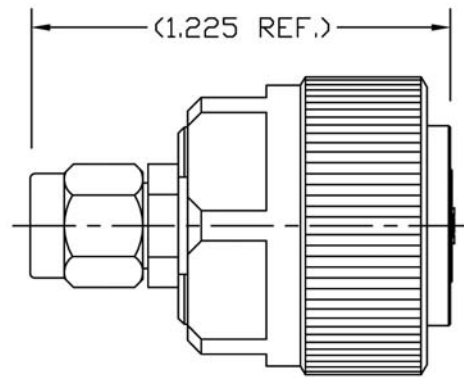
DC-3 GHz



### 93-920-0000-70

7mm to SMA Plug

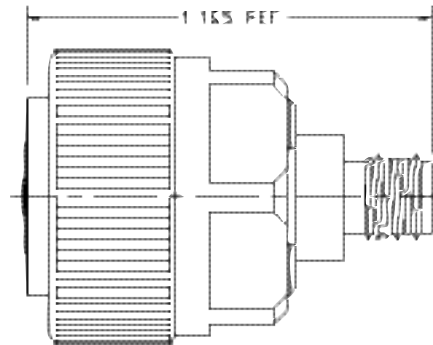
DC-18 GHz



### 93-921-0000-70

7mm to SMA Jack

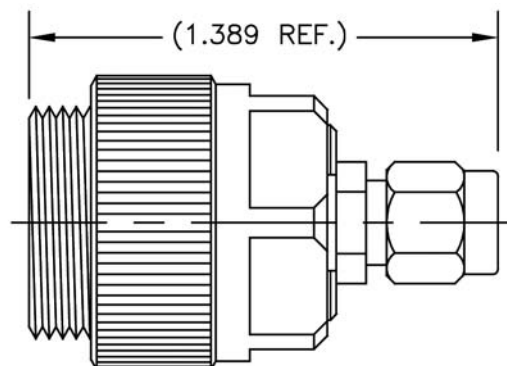
DC-18 GHz



### 93-922-0000-70

7mm to 3.5mm Plug

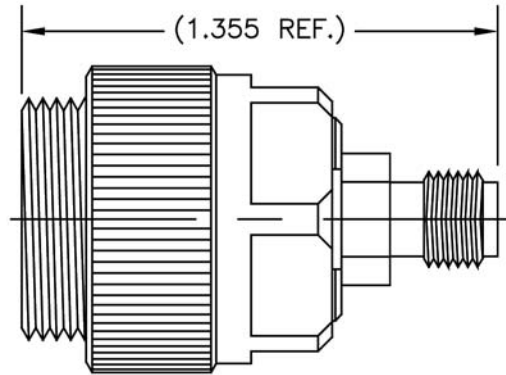
DC-18 GHz



**93-923-0000-70**

7mm to 3.5mm Jack

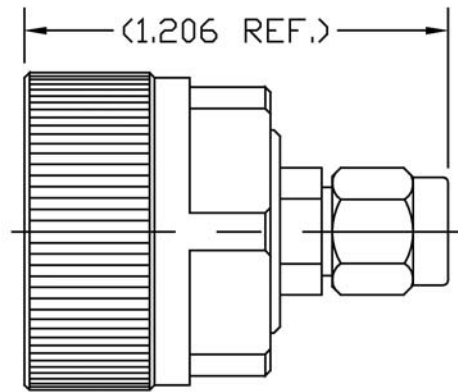
DC-18 GHz



**93-924-0000-70**

7mm to 2.9mm Plug

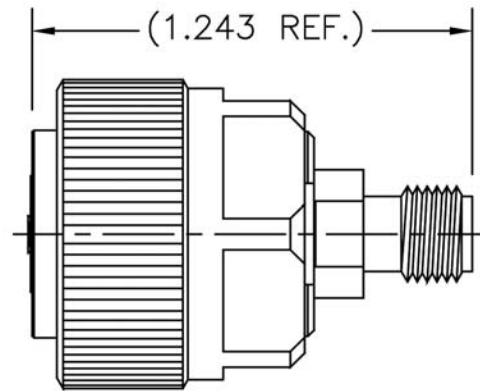
DC-18 GHz



**93-925-0000-70**

7mm to 2.9mm Jack

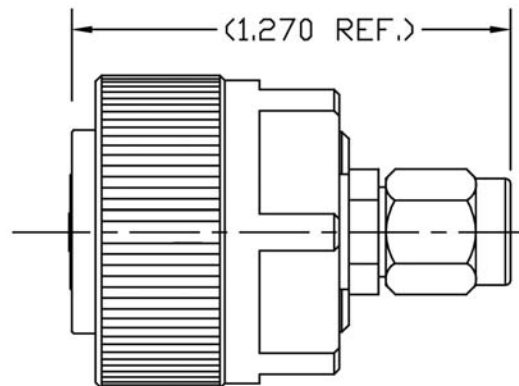
DC-18 GHz



**93-926-0000-70**

7mm to 2.4mm Plug

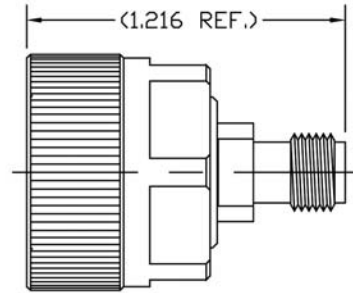
DC-18 GHz



**93-927-0000-70**

7mm to 2.4mm Jack

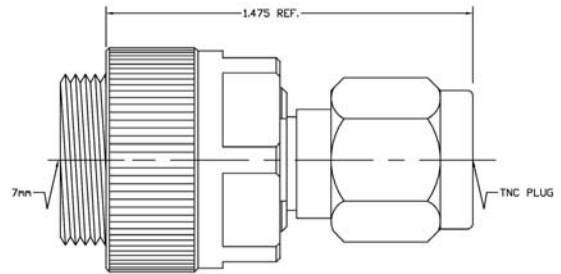
DC-18 GHz



**93-940-0000-70**

7mm to TNC Plug

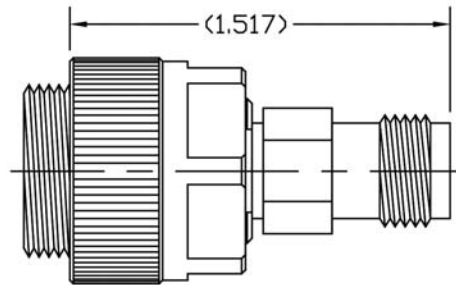
DC-18 GHz



**93-941-0000-70**

7mm to TNC Jack

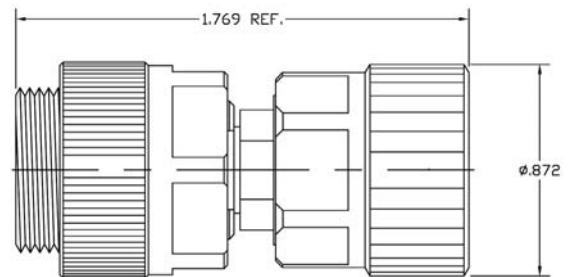
DC-18 GHz



**93-952-0000-70**

7mm to N Plug

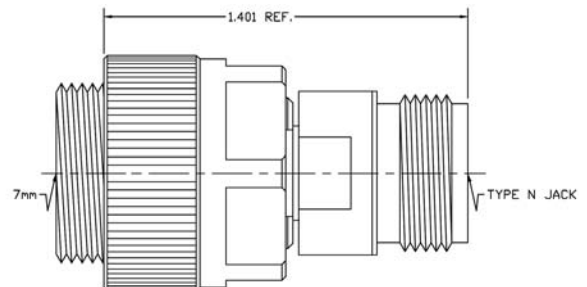
DC-18 GHz



**93-953-0000-70**

7mm to N Jack

DC-18 GHz



### General

Materials:	Outer body parts: SST. Corrosion-resistant, Non-magnetic 303, per ASTM A484 & A582, Center contacts: Beryllium Copper per ASTM-B-196, QQ-C-530
Solder	Brass half-hard per QQ-B-626 and ASTM-B-16
ferrules:	PTFE Fluorocarbon per ASTM-D-1457, or Oxide Noryl™, MIL-P-46129
Insulators:	
Finish:	Center contacts and solder components shall be plated per MIL-G-45204 Type II, Class I over Nickel plate per QQ-N-290, Body & body components shall be passivated per ASTM A380

Cables connectors for .085, .141, and .250 semi-rigid low-loss cables are compatible with many versions of low-loss semi-rigid cable offered within the microwave industry.

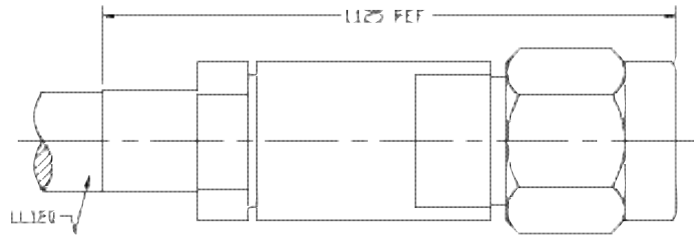
Many of the Low-Loss Cable Connectors shown in the catalog are compatible with other cable manufacturers low-loss products or may simply need a minor modification to insure compatibility. Whether you need a slight change or a complete new design, SRI Connector Gage Company's engineering staff can design a precision connector for ease of assembly and maximum performance.



**20-000-1523-00**

SMA Plug to LL120 Solder  
Clamp

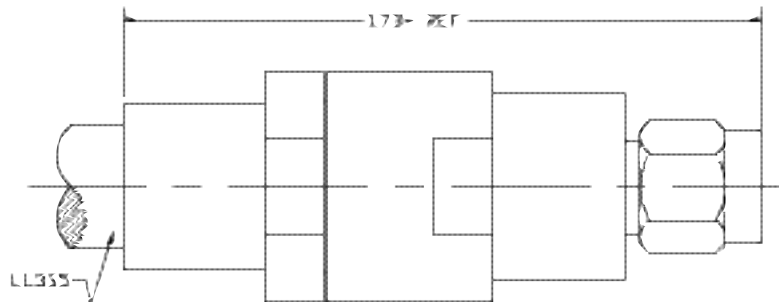
DC-27 GHz



**20-000-1535-00**

SMA Plug to LL335 Solder  
Clamp

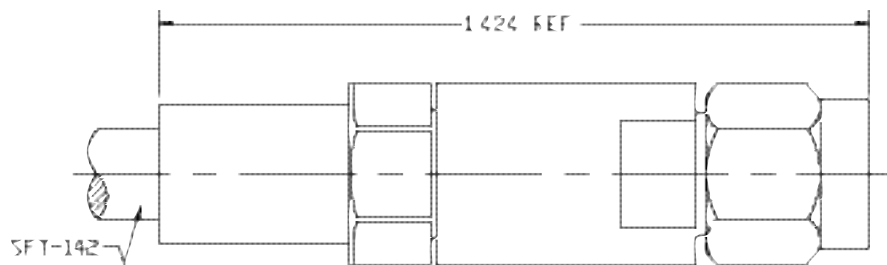
DC-18 GHz



**20-000-1560-00**

SMA Plug to SFT142 Solder  
Clamp

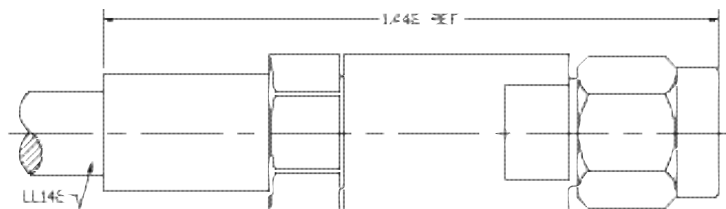
DC-18 GHz



**20-000-1597-00**

SMA Plug to LL142 Solder  
Clamp

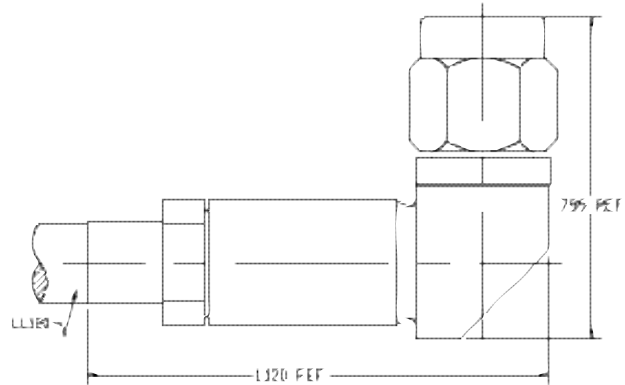
DC-27 GHz



**20-041-1523-00**

SMA Plug R/A to LL120  
Solder Clamp

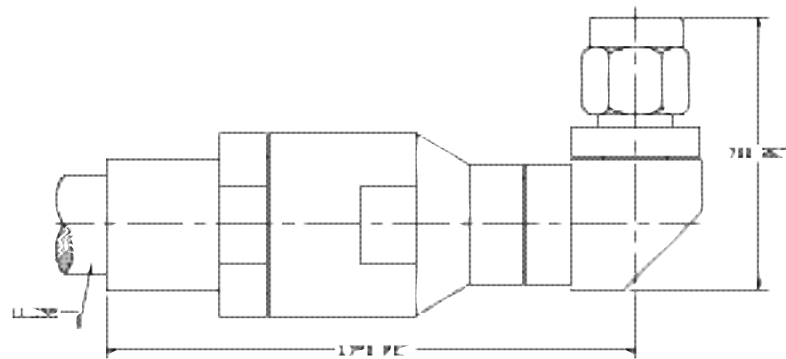
DC-27 GHz



**20-041-1535-00**

SMA Plug R/A to LL335  
Solder Clamp

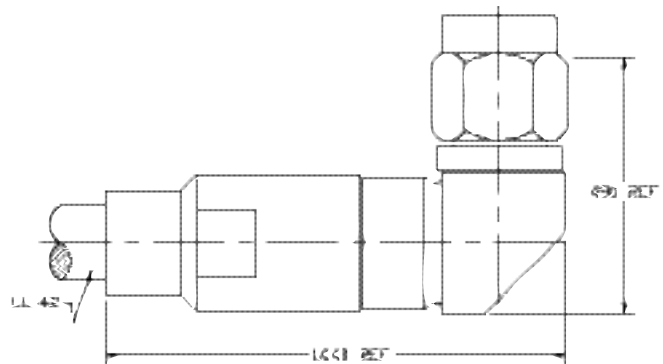
DC-18 GHz



**20-041-1597-00**

SMA Plug R/A to LL142  
Solder Clamp

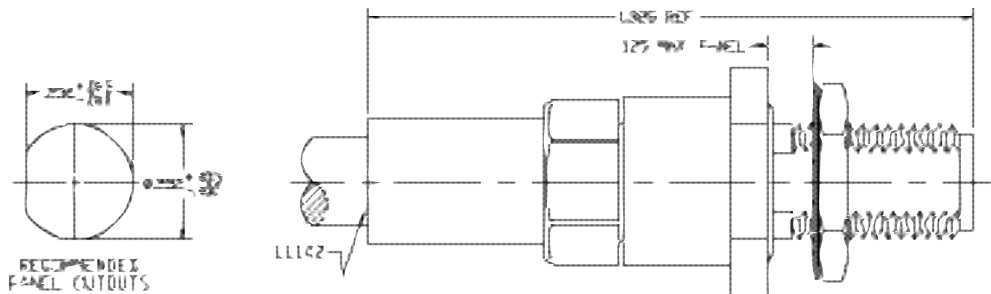
DC-27 GHz



**21-020-1597-00**

SMA Jack to LL142  
Bulkhead Mount  
Solder Clamp

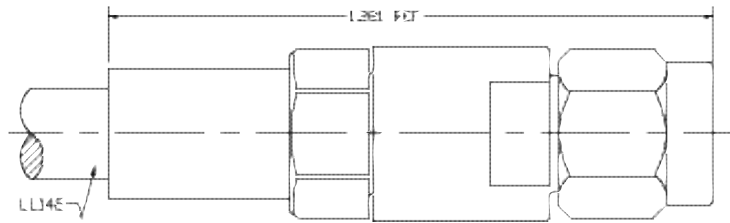
DC-27 GHz



**24-000-1597-90**

2.9mm Plug to LL142  
Solder Clamp

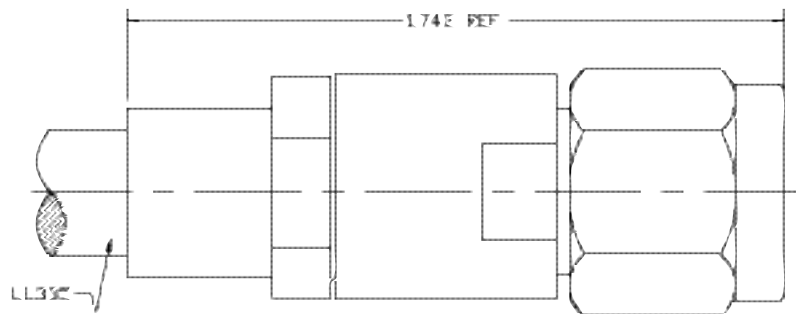
DC-32.5 GHz



**40-000-1535-00**

TNC Plug to LL335 Solder  
Clamp

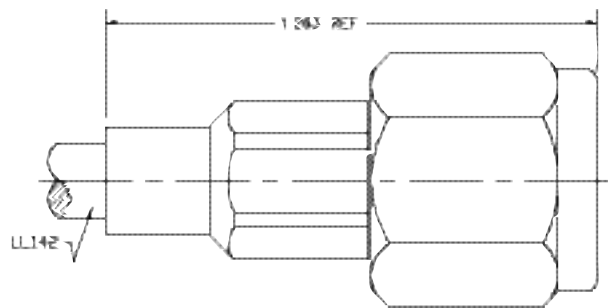
DC-18 GHz



**40-000-1597-00**

TNC Plug to LL142 Solder  
Clamp

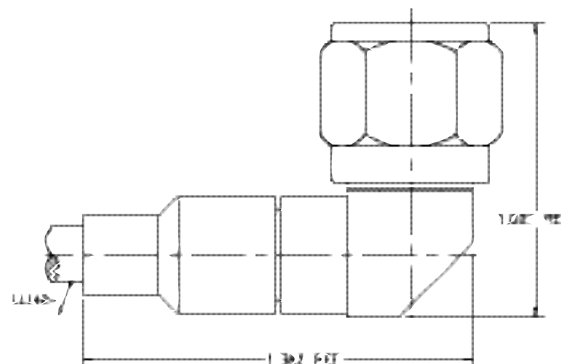
DC-18 GHz



**40-041-1597-00**

TNC Plug R/A to LL142  
Solder Clamp

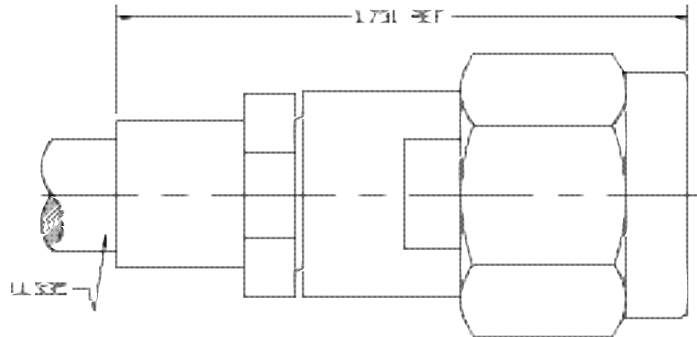
DC-18 GHz



**52-000-1535-00**

N Plug to LL335 Solder  
Clamp

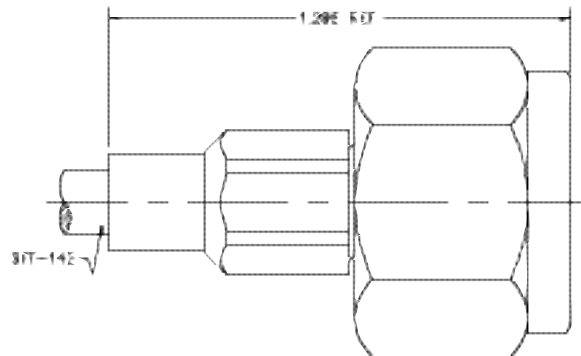
DC-18 GHz



**52-000-1560-00**

N Plug to SFT142 Solder  
Clamp

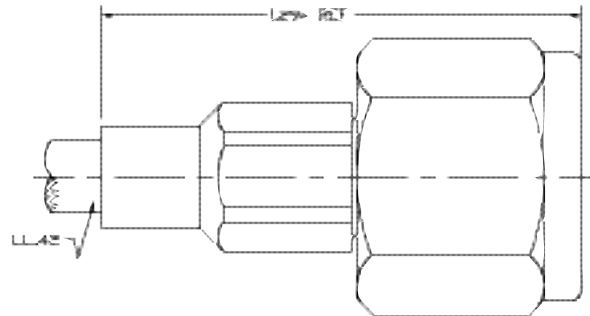
DC-18 GHz



**52-000-1597-00**

N Plug to LL142 Solder  
Clamp

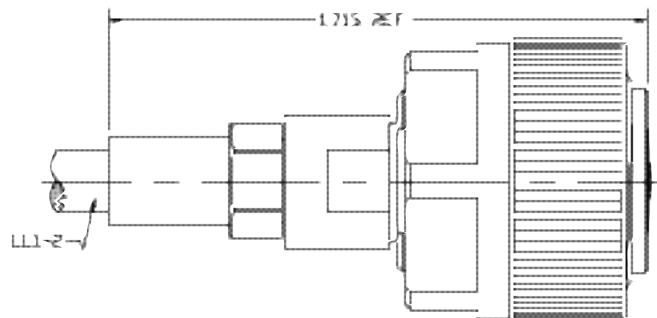
DC-18 GHz



**93-000-1597-00**

7mm to LL142  
Solder Clamp

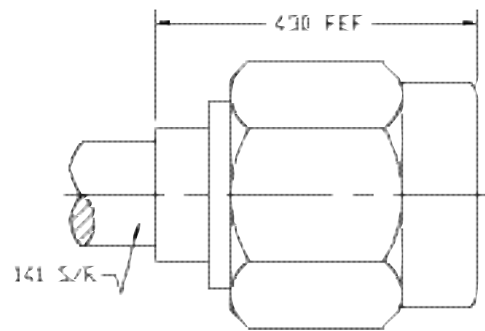
DC-18 GHz



**20-010-1004-04**

SMA Plug to .141 S/R Low Loss  
Direct Solder

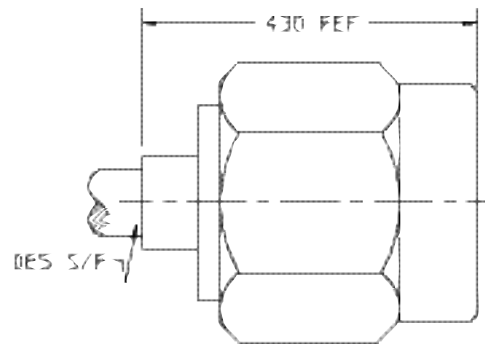
DC-27 GHz



**20-010-1008-08**

SMA Plug to .085 S/R Low Loss  
Direct Solder

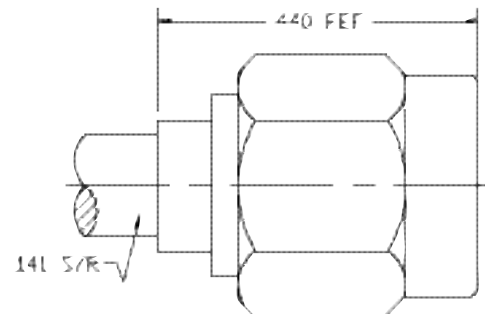
DC-27 GHz



**24-000-1004-90**

2.9mm Plug to .141 S/R Low Loss  
Direct Solder

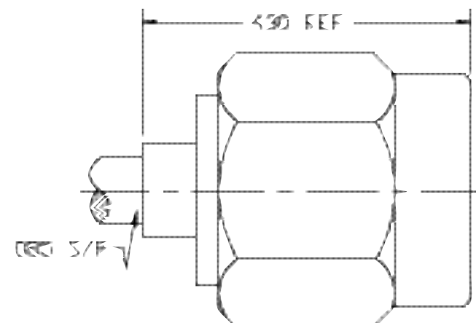
DC-34 GHz



**24-000-1008-90**

2.9mm Plug to .085 S/R Low Loss  
Direct Solder

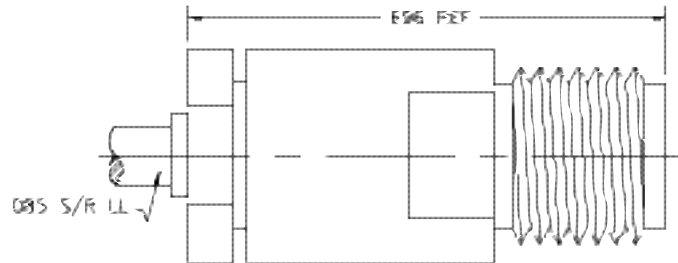
DC-40 GHz



**25-000-1508-90**

2.9mm Jack to .085 S/R Low Loss  
Solder Clamp

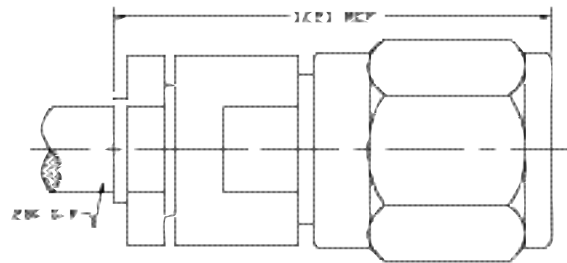
DC-40 GHz



**40-000-1527-00**

TNC Plug to .250 S/R Low Loss  
Solder Clamp

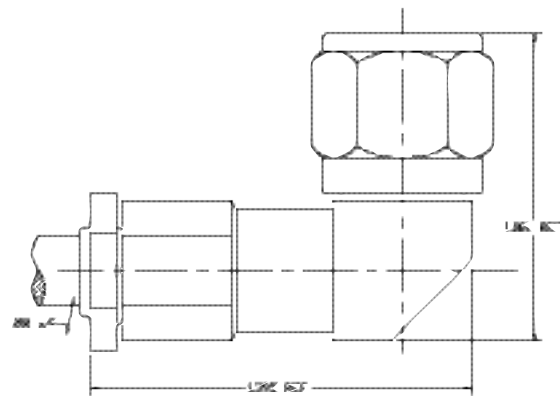
DC-18 GHz



**40-041-1527-00**

TNC Plug R/A to .250 S/R Low Loss  
Solder Clamp

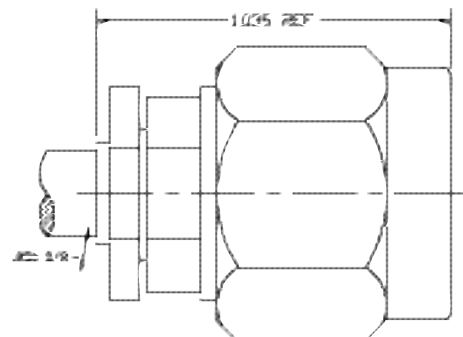
DC-18 GHz

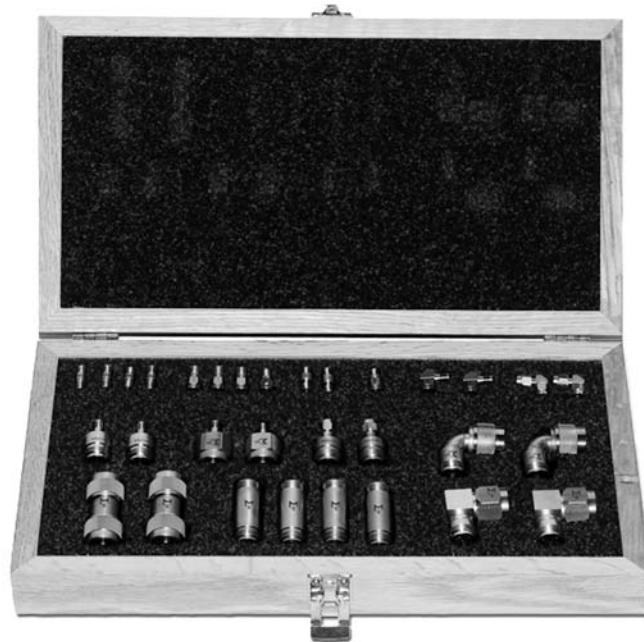


**52-010-1527-00**

N Plug to .250 S/R Low Loss  
Solder Clamp

DC-18 GHz





**RF MICROWAVE KIT** is a custom precision RF kit for the Microwave Industry. Kits can contain any variety or quantity of high frequency connectors and adapters that we produce: 1.85mm, 2.4mm, 2.9mm, 3.5mm, N, SMA, TNC, ZMA, Superites and custom connectors. We can also provide you one stop shopping by sourcing the cables.

With our wide range of standard products and custom capabilities, SRI Connector Gage is ready to partner with you to provide high-performance, cost-effective coaxial interconnect solutions. We are the leader in the 1.85 mm, 2.4 mm, and 2.9 mm form factors including connectors for low loss cable and in-series or between-series adapters.

We offer precision connectors in many other form factors including 3.5 mm, N, SMA, TNC, and ZMA. We also manufacture an extensive list of interface gages. There is no NRE charge for orders of 100 or more pieces. We will execute virtually any coax design related to our product line and deliver it quickly, usually in less than eight weeks.



**CONNECTOR INTERFACE GAGE'S** measure the critical linear interface dimensions of R.F. and Microwave Connectors. These dimensions must be maintained in order to provide electrical performance and mechanical mating of male and female connectors.

Each Production Gage Head Assembly consists of a precision dial or digital indicator (Digital indicators are equipped with SPC capabilities). Special Gage Heads and Plungers designed to "Side-On Mate" with specific connectors to be tested. A master setting gage allows each Gage Head Assembly to be "Zero Set," so that each measurement reflects the actual deviation from Zero. Each measurement corresponds to a direct distance from the interface dimension to the Connector Reference Plane.

These Production Gage Head Assemblies are available in Precision Connector Gage Kits. All gage parts are manufactured by SRI Connector Gage and are made of special stainless steel, heat treated to provide an extended long life and excellent dimensional stability.



SERIES	GAGE HEAD ASSEMBLIES	MODEL NO.
2.4mm <sup>①</sup>	2.4mm-FP, 2.4mm-MP, 2.4mm-TFP, 2.4mm-TMP	2.4mm-4MF-STP
	2.4mm-MP, 2.4mm-FP	2.4mm-2MF-SP
3.5mm <sup>②</sup>	3.5mm-FP, 3.5mm-MP, 3.5mm-TFP, 3.5mm-TMP	3.5mm-4MF-STP
	3.5mm-MP, 3.5mm-FP	3.5mm-2MF-SP
SSMA	SSMA-MP, SSMA-MD, SSMA-FP, SSMA-FD, SSMA-MPL	SSMA-5MF-SPD
	SSMA-MP, SSMA-MD, SSMA-FP, SSMA-FD	SSMA-4MF-SPD
	SSMA-MP, SSMA-MD	SSMA-2M-SPD
	SSMA-FP, SSMA-FD	SSMA-2F-SPD
SMA	SMA-MP, SMA-MD, SMA-FP, SMA-FD, SMA-MPL	SMA-5MF-SPD
	SMA-MP, SMA-MD, SMA-FP, SMA-FD	SMA-4MF-SPD
	SMA-FP, SMA-MD, SMA-MPL	SMA-3MF-SP
	SMA-MP, SMA-MD	SMA-2M-SPD
	SMA-FP, SMA-FD	SMA-2F-SPD
	SMA MALE & FEMALE SET GAGE	SMA-SG-MF
SMB	SMB-MP, SMB-MD, SMB-FP, SMB-FD, SMB-MPL	SMB-5MF-SPD
	SMB-MP, SMB-MD, SMB-FP, SMB-FD	SMB-4MF-SPD
	SMB-MP, SMB-MD	SMB-2M-SPD
	SMB-FP, SMB-FD	SMB-2F-SPD
SMC	SMC-MP, SMC-MD, SMC-FP, SMC-FD	SMC-4MF-SPD
	SMC-MP, SMC-MD	SMC-2M-SPD
	SMC-FP, SMC-FD	SMC-2F-SPD
TNC <sup>③</sup>	TNC-FP, TNC-MP, TNC-FD, TNC-FP	TNC-4MF-SPD
	TNC-TFP, TNC-TMP, TNC-TFD, TNC-TMP	TNC-4MF-TPD
	TNC-FP, TNC-MP, TNC-TFP, TNC-TMP	TNC-4MF-STP
	TNC-MP, TNC-MD	TNC-2M-SPD
	TNC-FP, TNC-FD	TNC-2F-SPD
	TNC-MP, TNC-FP	TNC-2MF-SP
N	N-MP, N-FP, N-TFP, N-TMP	N-4MF-STP
	N-TMP, N-TFP	N-2MF-TP
	N-MP, N-FP	N-2MF-SP
SC	SC-TMP, SC-TMD, SC-TFP, SC-TFD	SC-4MF-TPD
	SC-MP, SC-MD, SC-FP, SC-FD	SC-4MF-SPD
HN	HN-MP, HN-MD, HN-FP, HN-FD	HN-4MF-SPD

1. 2.4mm gages can also measure 1.85mm Series connectors.
2. 3.5mm gages can also measure 2.9mm Series connectors.
3. TNC gages can also measure BNC Series connectors.



**Purpose:** CGC 25 Series spring-loaded gages are designed for testing the separation forces of electrical connector socket contacts for both RF and Multi-Pin connectors. In particular, 25 Series Gages are ideally suited for testing Multi-Pin connectors where standard pin weights become quite cumbersome.

**How it works:** This gage has a spring loaded plunger pre-calibrated to the required separation force for the socket contact to be tested. The plunger is finger-depressed, extending the pin which is then inserted into the socket. When the finger pressure is removed, the sockets retaining the pin are accepted as conforming to the minimum required separation force specifications. Also, the spring-loaded plunger can be calibrated to test the maximum separation force specifications. In this test, the reverse applies, the sockets retaining the pin are rejected as non-conforming to the maximum required separation force specifications.

- Features:**
1. Pull Force: From 001= 0.1 ounce to 400= 40.0 ounces
  2. Gage Pin Diameter: As specified up to .1250
  3. Gage Pin Tolerance: 51= +.0001  
 11= .0001  
 52= +.0002  
 12= .0002

**Part Number System:**

