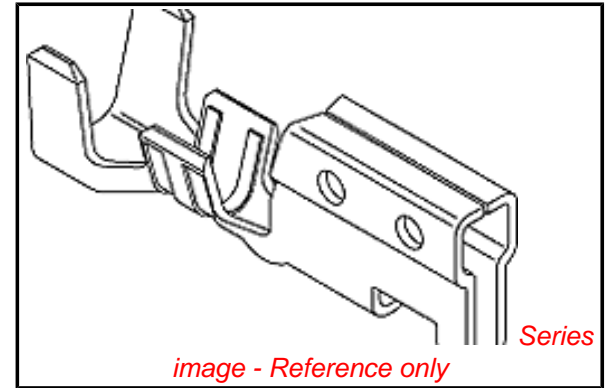


**PLEASE CHECK WWW.MOLEX.COM FOR LATEST PART INFORMATION**

**Part Number:** [08-70-1030](#)  
**Status:** **Active**  
**Overview:** SPOX™ BMI  
**Description:** SPOX™ Crimp Terminal 5194, 18-24 AWG, Brass, Bag

**Documents:**

<a href="#">Drawing (PDF)</a>	<a href="#">Product Specification PS-5196-005 (PDF)</a>
<a href="#">Product Specification PS-5096-003 (PDF)</a>	<a href="#">Product Specification PS-5196-006 (PDF)</a>
<a href="#">Product Specification PS-5195-001 (PDF)</a>	<a href="#">Product Specification PS-5197-001 (PDF)</a>
<a href="#">Product Specification PS-5195-002 (PDF)</a>	<a href="#">Product Specification PS-5197-003 (PDF)</a>
<a href="#">Product Specification PS-5195-003 (PDF)</a>	<a href="#">Product Specification PS-5197-004 (PDF)</a>
<a href="#">Product Specification PS-5195-004 (PDF)</a>	<a href="#">Product Specification PS-5198-001 (PDF)</a>
<a href="#">Product Specification PS-5195-005 (PDF)</a>	<a href="#">Product Specification PS-5199-001 (PDF)</a>
<a href="#">Product Specification PS-5195-006 (PDF)</a>	<a href="#">Product Specification PS-5199-002 (PDF)</a>
<a href="#">Product Specification PS-5195-007 (PDF)</a>	<a href="#">Product Specification PS-5273-003 (PDF)</a>
<a href="#">Product Specification PS-5195-009 (PDF)</a>	<a href="#">Product Specification PS-5273-004 (PDF)</a>
<a href="#">Product Specification PS-5195-010 (PDF)</a>	<a href="#">Product Specification PS-5278-001 (PDF)</a>
<a href="#">Product Specification PS-5195-011 (PDF)</a>	<a href="#">Product Specification PS-5278-002 (PDF)</a>
<a href="#">Product Specification PS-5196-001 (PDF)</a>	<a href="#">RoHS Certificate of Compliance (PDF)</a>
<a href="#">Product Specification PS-5196-004 (PDF)</a>	



**Agency Certification**

CSA LR19980

**General**

Product Family Crimp Terminals  
 Series 5194  
 Application Signal  
 Crimp Quality Equipment Yes  
 Overview SPOX™ BMI  
 Packaging Alternative 08-70-1031 (Reel)  
 Product Name SPOX™  
 UPC 800753745834

**Physical**

Gender Female  
 Material - Metal Brass  
 Material - Plating Mating Tin  
 Material - Plating Termination Tin  
 Net Weight 185.000/mg  
 Packaging Type Bag  
 Plating min - Mating 0.889µm  
 Plating min - Termination 0.889µm  
 Termination Interface: Style Crimp or Compression  
 Wire Insulation Diameter 1.30-3.20mm  
 Wire Size AWG 18, 20, 22, 24  
 Wire Size mm² N/A

**Material Info**

Old Part Number 5194TL

**Reference - Drawing Numbers**

Product Specification PS-5096-003, PS-5195-001, PS-5195-002, PS-5195-003, PS-5195-004, PS-5195-005, PS-5195-006, PS-5195-007, PS-5195-009, PS-5195-010, PS-5195-011, PS-5196-001, PS-5196-004, PS-5196-005, PS-5196-006,

<p><b>EU RoHS</b>  <b>ELV and RoHS</b>  <b>Compliant</b>  <b>REACH SVHC</b>  <b>Contains SVHC: No</b>  <b>Low-Halogen Status</b>  <b>Low-Halogen</b></p>	<p><b>China RoHS</b></p>
--	--------------------------

**Need more information on product environmental compliance?**

Email [productcompliance@molex.com](mailto:productcompliance@molex.com)  
 For a multiple part number RoHS Certificate of Compliance, [click here](#)

Please visit the [Contact Us](#) section for any non-product compliance questions.

**Search Parts in this Series**

5194Series

**Use With**

5195 , 5196 , 5197 , 5198 , 5199

**Application Tooling | FAQ**

*Tooling specifications and manuals are found by selecting the products below. Crimp Height Specifications are then contained in the Application Tooling Specification document.*

**Global**

Description	Product #
Extraction Tool	<a href="#">0638132700</a>
Hand Crimp Tool for Crimp Terminals	<a href="#">0638116500</a>

**Japan**

Description	Product #
Hand Extraction Tool	<a href="#">0011260100</a>
Hand Crimp Tool	<a href="#">0011260058</a>
JHTR5904	

Sales Drawing

PS-5197-001, PS-5197-003, PS-5197-004,  
PS-5198-001, PS-5199-001, PS-5199-002,  
PS-5273-003, PS-5273-004, PS-5278-001,  
PS-5278-002, RPS-5096-001, RPS-5195-001,  
RPS-5196-002, RPS-5196-003, RPS-5196-004,  
RPS-5197-001  
SD-5194-001

This document was generated on 04/26/2013

**PLEASE CHECK [WWW.MOLEX.COM](http://WWW.MOLEX.COM) FOR LATEST PART INFORMATION**

# Mouser Electronics

Authorized Distributor

Click to View Pricing, Inventory, Delivery & Lifecycle Information:

[Molex:](#)

[08-70-1030](#)