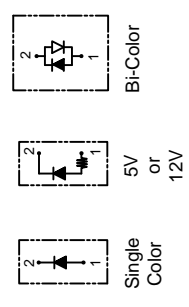
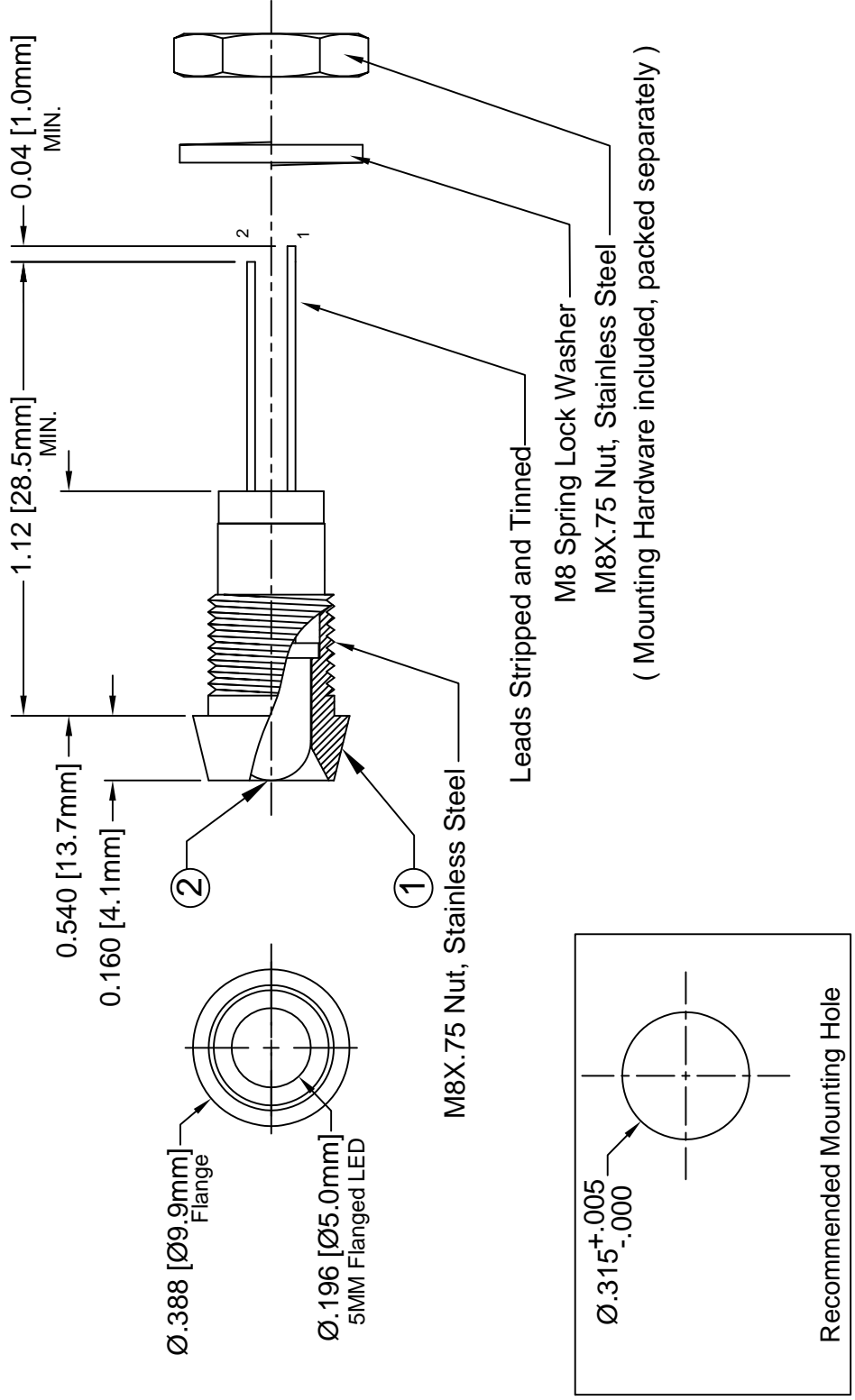


REV.	DESCRIPTION	DATE	APPROVED
A	Engineering Release.	04/05/05	M. C.
B	Corrected LED Lead Polarity	02/01/07	M. C.
C	Removed LEDs From Sheets 2 and 3	06/29/11	T. Y.
D	Updated LED offering	05/07/12	T. Y.
E	Corrected typo on page 4	07/16/12	T. Y.
F	Updated LED Optical Characteristics	09/15/15	J. C.
G	Corrected Dimension	11/29/16	J. C.

ITEM	Q'TY	PART NUMBER	PART DESCRIPTION
1	1	MPR5	Chrome Panel Mount Holder, Recessed, 5mm
2	1	5XX-F	T-1 1/4 (5mm) Flanged LED, See Page 2



LED P/N	(1) Cathode	(2) Cathode
5BC	Green	Red
5BC-Y/G	Green	Yellow
5BC-R/Y	Yellow	Red
5BC-A/G	Green	Amber

Leads Stripped and Tinned
 M8 Spring Lock Washer
 M8X.75 Nut, Stainless Steel
 (Mounting Hardware included, packed separately)

ABSOLUTE MAXIMUM RATINGS (Ta = 25°C)

REVERSE VOLTAGE _____ 5V
 REVERSE CURRENT (VR=5V) _____ 100µA
 OPERATING TEMPERATURE RANGE _____ -40°C ~ 85°C
 STORAGE TEMPERATURE _____ -40°C ~ 100°C
 LEAD SOLDERING TEMPERATURE (1/16" FROM BODY) _____ 260°C for 5 Seconds

BIVAR®
 4 THOMAS, IRVINE, CA. 92618
 TEL: (949) 951-8808 FAX: (949) 951-3974

TITLE: STD METAL PANEL MOUNT INDICATORS

STANDARD TOLERANCE (UNLESS OTHERWISE SPECIFIED)
 DECIMALS .X ±.1
 .XX ±.02
 .XXX ±.010
 ANGULAR X° ±1°

DESIGNED: **D. Green** DATE: **04/05/05**
 CHECKED: **T. Yin** DATE: **04/05/05**

PART NO: **MPR5XX**
 REVISION: **G**
 CAGE CODE: **32559** SHEET # **1 OF 4**
 CAD GENERATED DOCUMENT. DO NOT MEASURE DRAWING.

LED Assy. No.	Chip		Lens Appearance	Electro-Optical Data @ 20mA				Viewing Angle 2 θ ½ (Deg)	LED P/N	
	Material	Peak Wave Length		Emitted Color	If (mA)	Vf (V)				Iv (mcd)
						TYP	MAX			
MPR5BWC	GaN/SiC	430	BLUE	25	4	4.5	30	25	5BWC-F	
MPR5BWD	GaN/SiC	430	BLUE	25	4	4.5	15	40	5BWD-F	
MPR5BWT	GaN/SiC	430	BLUE	25	4	4.5	30	25	5BWT-F	
MPR5GCG	GaP/GaP	568	GREEN	30	2.1	2.8	40	35	5GCG-F	
MPR5GCD	GaP/GaP	568	GREEN	30	2.1	2.8	25	40	5GCD-F	
MPR5GCT	GaP/GaP	568	GREEN	30	2.1	2.8	40	35	5GCT-F	
MPR5PGC	GaP/GaP	555	PURE GREEN	30	2.2	2.8	10	35	5PGC-F	
MPR5PGD	GaP/GaP	555	PURE GREEN	30	2.2	2.8	10	40	5PGD-F	
MPR5PGT	GaP/GaP	555	PURE GREEN	30	2.2	2.8	10	35	5PGT-F	
MPR5YCY	GaAsP/GaP	590	YELLOW	30	2	2.8	40	35	5YCY-F	
MPR5YDY	GaAsP/GaP	590	YELLOW	30	2	2.8	25	40	5YDY-F	
MPR5YTY	GaAsP/GaP	590	YELLOW	30	2	2.8	40	35	5YTY-F	
MPR5YAC	GaAsP/GaP	605	AMBER	30	2	2.8	40	35	5YAC-F	
MPR5YAD	GaAsP/GaP	605	AMBER	30	2	2.8	25	40	5YAD-F	
MPR5YAT	GaAsP/GaP	605	AMBER	30	2	2.8	40	35	5YAT-F	
MPR5YHC	GaAsP/GaP	625	HE RED	30	2	2.8	50	35	5YHC-F	
MPR5YHD	GaAsP/GaP	625	HE RED	30	2	2.8	40	40	5YHD-F	
MPR5YHT	GaAsP/GaP	625	HE RED	30	2	2.8	50	35	5YHT-F	
MPR5YRC	GaP/GaP	700	RED	20	2.1	2.8	2	35	5YRC-F	
MPR5YRD	GaP/GaP	700	RED	20	2.1	2.8	1.5	40	5YRD-F	
MPR5YRT	GaP/GaP	700	RED	20	2.1	2.8	2	35	5YRT-F	
MPR5BC-A/G	GaAsP/GaP	605	AMBER	30	2.0	2.8	6	45	5BC-A/G-F	
	GaP/GaP	568	GREEN	30	2.1	2.8	6			
MPR5BC	GaAsP/GaP	625	RED	30	2.0	2.8	8	45	5BC-F	
	GaP/GaP	568	GREEN	30	2.1	2.8	8			
MPR5BC-R/Y	GaAsP/GaP	625	RED	30	2.0	2.8	8	45	5BC-R/Y-F	
	GaAsP/GaP	590	YELLOW	30	2.0	2.8	6			
MPR5BC-Y/G	GaAsP/GaP	590	YELLOW	30	2.0	2.8	6	45	5BC-Y/G-F	
	GaP/GaP	568	GREEN	30	2.1	2.8	8			

STANDARD TOLERANCE
 (UNLESS OTHERWISE SPECIFIED)
 ±10% ALL VALUES

BIVAR[®]
 4 THOMAS, IRVINE, CA. 92618
 TEL: (949) 951-8808 FAX: (949) 951-3974

TITLE: STD METAL PANEL MOUNT INDICATORS
 PART NO: MPR5XX
 CAGE CODE: 32559 SHEET # 2 OF 4
 CAD GENERATED DOCUMENT. DO NOT MEASURE DRAWING.

DESIGNED: D. Green
 CHECKED: T. Yin
 DATE: 04/05/05
 DATE: 04/05/05



REV.	DESCRIPTION	DATE	APPROVED
SEE SHEET #1			

LED Assy. No.	Chip		Lens Appearance	Electro-Optical Data @ 20mA				Viewing Angle 2θ ½ (Deg)	LED P/N
	Material	Peak Wave Length		Emitted Color	If (mA)	Vf (V)	IV (mcd)		
MPR5UBWC	InGaN/SiC	468	BLUE	50	3.2	8000	15	5BWC2.515F	
MPR5SGC	GaP/GaP	568	GREEN	30	2.1	60	35	5SGC-F	
MPR5SGD	GaP/GaP	568	GREEN	30	2.1	50	40	5SGD-F	
MPR5SGT	GaP/GaP	568	GREEN	30	2.1	60	35	5SGT-F	
MPR5SYC	GaAsP/GaP	590	YELLOW	30	2.0	600	35	5SYC-F	
MPR5SYD	GaAsP/GaP	590	YELLOW	30	2.0	150	40	5SYD-F	
MPR5SYT	GaAsP/GaP	590	YELLOW	30	2.0	600	35	5SYT-F	
MPR5SRC	GaAlAs/GaAs	645	SUPER RED	30	1.7	60	35	5SRC-F	
MPR5SRD	GaAlAs/GaAs	645	SUPER RED	30	1.7	40	40	5SRD-F	
MPR5SRT	GaAlAs/GaAs	645	SUPER RED	30	1.7	60	35	5SRT-F	
MPR5UGC	AlGaInP	570	GREEN	30	2.1	400	35	5UGC-F	
MPR5UGC	AlGaInP	570	GREEN	30	2.1	300	35	5SUGC-F	
MPR5UYC	AlGaInP	590	YELLOW	30	2.0	1000	30	5UYC-F	
MPR5UYC	AlGaInP	590	YELLOW	30	2.0	700	35	5SUYC-F	
MPR5UUYC	AlGaInP	590	YELLOW	30	2.0	500	35	5UUYC-F	
MPR5UOC	AlGaInP	625	ORANGE	30	1.8	1400	35	5UOC-F	
MPR5UOC	AlGaInP	625	ORANGE	30	1.8	1300	35	5SUOC-F	
MPR5URC	GaAlAs/GaAs	645	RED	30	1.7	400	30	5URC-F	
MPR5URC	AlGaInP	640	RED	30	1.8	500	35	5SURC-F	
MPR5UWC	InGaN/SiC	6500K	WHITE	100	3.5	2700	30	5WC2.730F	

STANDARD TOLERANCE
(UNLESS OTHERWISE SPECIFIED)
±10% ALL VALUES
ANGULAR

BIVAR®
4 THOMAS, IRVINE, CA. 92618
TEL: (949) 951-8808 FAX: (949) 951-3974

TITLE: STD METAL PANEL MOUNT INDICATORS

DESIGNED: **D. Green** DATE: **04/05/05**

CHECKED: **T. Yin** DATE: **04/05/05**

PART NO: **MPR5XX** REVISION: **G**

CAGE CODE: **32559** SHEET # **3** OF **4**

CAD GENERATED DOCUMENT. DO NOT MEASURE DRAWING.

LED Assy. No.	Chip		Lens Appearance		Absolute Max. Ratings			Electro-Optical Data @ 2mA			Viewing Angle 2θ 1/2 (Deg)	LED P/N
	Material	Peak Wave Length λp(nm)	Emitted Color	Appearance	Pd (mW)	If (mA)	Peak If(mA)	Vf (V)	Iv (mcd)	Typ		
MPR5BWDL	GaN/AlN	430	BLUE	DIFFUSED	20	7	-	3.8	4.2	4.0	40	5BWDL-F
MPR5GDL	GaP/GaP	568	GREEN	DIFFUSED	10	7	-	2.1	2.6	4.0	40	5GDL-F
MPR5PGDL	GaP/GaP	555	PURE GREEN	DIFFUSED	10	7	-	2.1	2.6	1.0	40	5PGDL-F
MPR5YDL	GaAsP/GaP	590	YELLOW	DIFFUSED	10	7	-	2.0	2.6	4.0	40	5YDL-F
MPR5ADL	GaAsP/GaP	605	AMBER	DIFFUSED	10	7	-	2.0	2.6	4.0	40	5ADL-F
MPR5HDL	GaAsP/GaP	625	HE RED	DIFFUSED	10	7	-	2.0	2.6	5.0	40	5HDL-F
MPR5RDL	GaP/GaP	700	RED	DIFFUSED	10	7	-	2.1	2.6	0.5	40	5RDL-F

LED Assy. No.	Peak Wave Length λp(nm)	Emitted Color	Lens Appearance	Electro-Optical Data						Viewing Angle 2θ 1/2 (Deg)	LED P/N
				If (mA)		Vf (V)		Iv (mcd)			
				MAX	TYP	MAX	TYP	MAX	TYP		
5 Volt											
MPR5BWD5V	BLUE	430	DIFFUSED	-	-	5	15	40	40	40	5BWD5V-F
MPR5GC5V	GREEN	568	WATER CLEAR	-	-	5	40	40	40	40	5GC5V-F
MPR5GD5V	GREEN	568	DIFFUSED	-	-	5	25	40	40	40	5GD5V-F
MPR5GT5V	GREEN	568	TINTED	-	-	5	40	40	40	40	5GT5V-F
MPR5AD5V	AMBER	605	DIFFUSED	-	-	5	25	40	40	40	5AD5V-F
MPR5HD5V	HE RED	625	DIFFUSED	-	-	5	30	40	40	40	5HD5V-F
MPR5RD5V	RED	700	DIFFUSED	-	-	5	1.5	40	40	40	5RD5V-F
MPR5YD5V	YELLOW	590	DIFFUSED	-	-	5	25	40	40	40	5YD5V-F
12 Volt											
MPR5GC12V	GREEN	568	WATER CLEAR	-	-	12	40	35	35	35	5GC12V-F
MPR5GD12V	GREEN	568	DIFFUSED	-	-	12	25	40	40	40	5GD12V-F
MPR5HC12V	HE RED	625	WATER CLEAR	-	-	12	50	35	35	35	5HC12V-F
MPR5HD12V	HE RED	625	DIFFUSED	-	-	12	30	40	40	40	5HD12V-F
MPR5RC12V	RED	700	WATER CLEAR	-	-	12	2	35	35	35	5RC12V-F
MPR5RD12V	RED	700	DIFFUSED	-	-	12	1.5	40	40	40	5RD12V-F
MPR5YC12V	YELLOW	590	WATER CLEAR	-	-	12	25	35	35	35	5YC12V-F
MPR5YD12V	YELLOW	590	DIFFUSED	-	-	12	20	40	40	40	5YD12V-F

BIVAR
 4 THOMAS, IRVINE, CA. 92618
 TEL: (949) 951-8808 FAX: (949) 951-3974

STANDARD TOLERANCE (UNLESS OTHERWISE SPECIFIED)
 ±10% ALL VALUES ANGULAR

TITLE: STD METAL PANEL MOUNT INDICATORS

DESIGNED: **D. Green** DATE: **04/05/05** REVISION: **G**
 CHECKED: **T. Yin** DATE: **04/05/05**

PART NO: **MPR5XX** SHEET # **4 OF 4**
 CAGE CODE: **32559**

CAD GENERATED DOCUMENT. DO NOT MEASURE DRAWING.