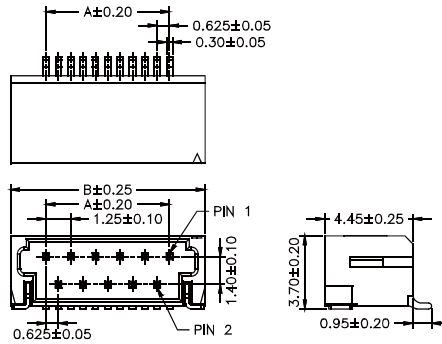


1.25mm Wafer SMT Right Angle Type

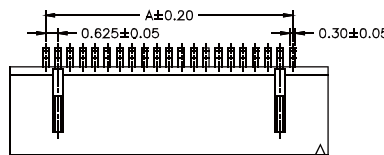
Specifications

Current Rating: 1A AC,DC
 Voltage Rating: 200V AC,DC
 Temperature Range: -25°C to +85°C
 Contact Resistance: 40mΩ Max
 Insulation Resistance: 100MΩ Min
 Withstanding Voltage: 500V AC/minute
 Terminal: Phosphor Bronze / Gold Plated
 Solder Tabs: Phosphor Bronze / Tin Plated
 Material: Nylon 6T,UL94V-0

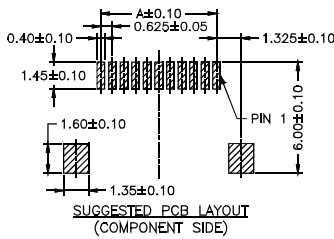
No. of Contacts	Dimensions	
	A	B
5	2,50	6,10
7	3,75	7,35
9	5,00	8,60
11	6,25	9,85
13	7,50	11,10
15	8,75	12,35
17	10,00	13,60
19	11,25	14,85
21	12,50	16,10
31	18,75	22,35
41	25,00	28,60



05,07,09,11 Contacts



13,15,17,19,21,31,41 Contacts



SUGGESTED PCB LAYOUT (COMPONENT SIDE)

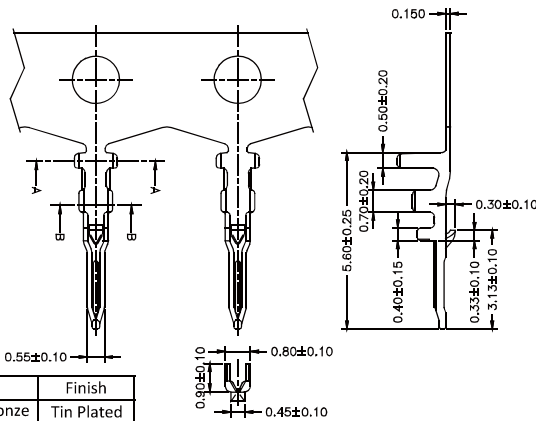
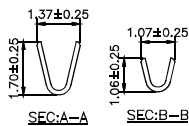


Part No.:1256MRA-XXGB-U

1.25mm Terminal / Housing

Specifications

Current Rating: 1A AC,DC
 Voltage Rating: 125V AC,DC
 Temperature Range: -25°C to +85°C
 Contact Resistance: 20mΩ Max
 Insulation Resistance: 100MΩ Min
 Withstanding Voltage: 500V AC/minute
 Material: Nylon 66, UL94V-0

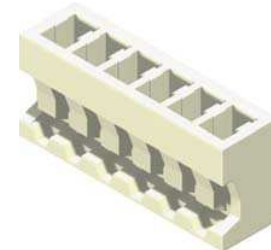
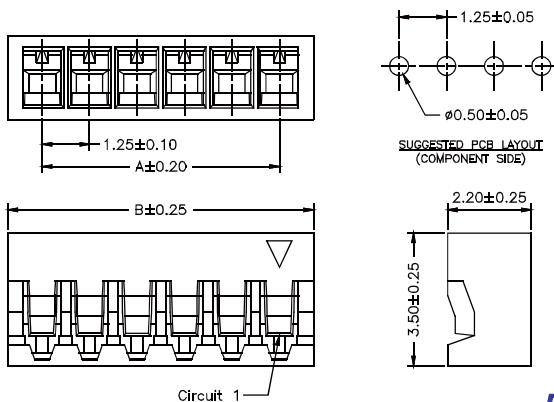


Wire Range	Insulation O.D.	Material	Finish
#28-#32	1.00mm(Max)	Phosphor Bronze	Tin Plated



Part No.:1257-T-L

No. of Contacts	Dimensions	
	A	B
2	1,25	3,05
3	2,50	4,30
4	3,75	5,55
5	5,00	6,80
6	6,25	8,05
7	7,50	9,30
8	8,75	10,55
9	10,00	11,80
10	11,25	13,05
11	12,50	14,30
12	13,75	15,55
13	15,00	16,80
14	16,25	18,05
15	17,50	19,30



Part No.:1257H-XXW-L