

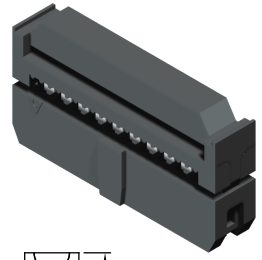
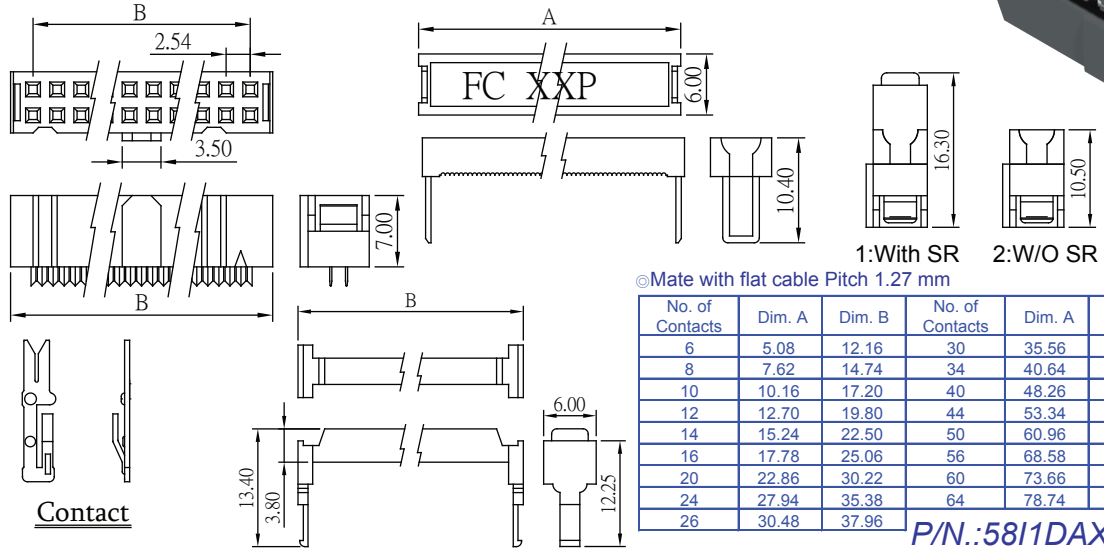
IDC Socket 2.54mm A Type

Specifications

Current Rate:2.5AMP
 Insulation Resistance:1000MΩ Min
 Contact Resistance:20mΩ Max
 Dielectric Voltage:1000V AC for one minute
 Operation Temperature:-55°C to +105°C

Material

Insulator:Polyester,UL 94V-0
 ©Standard:PBT
 Terminal:Copper Alloy



P/N.:581DAX-XXXXA-1

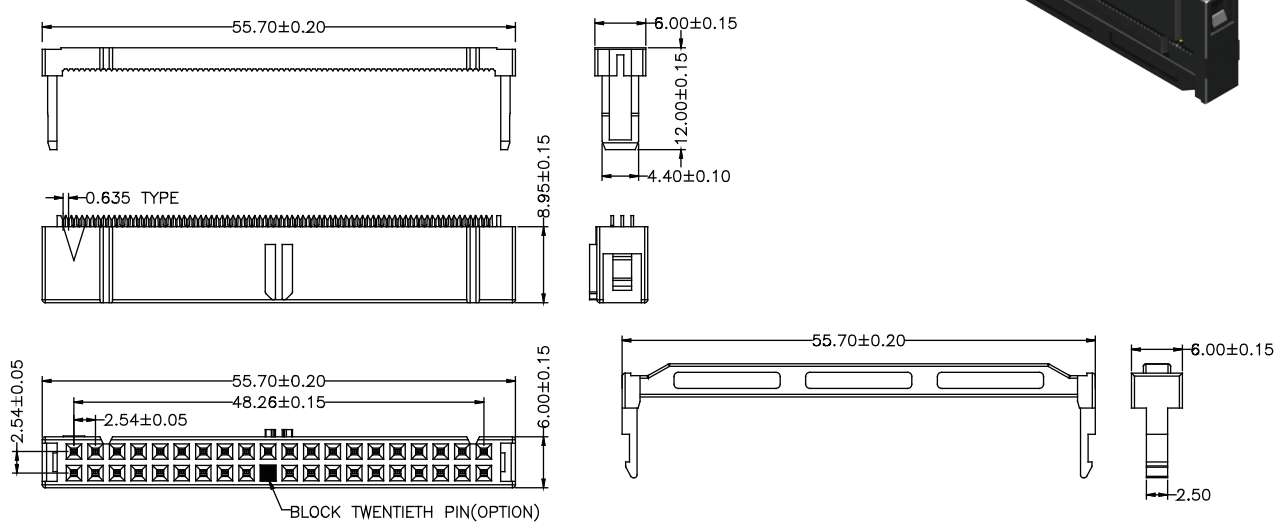
IDC Socket 2.54mm ATA Connector With SR B Type

Specifications

Current Rate:2.5AMP
 Insulation Resistance:1000MΩ Min
 Contact Resistance:20mΩ Max
 Dielectric Voltage:1000V AC for one minute
 Operation Temperature:-55°C to +105°C

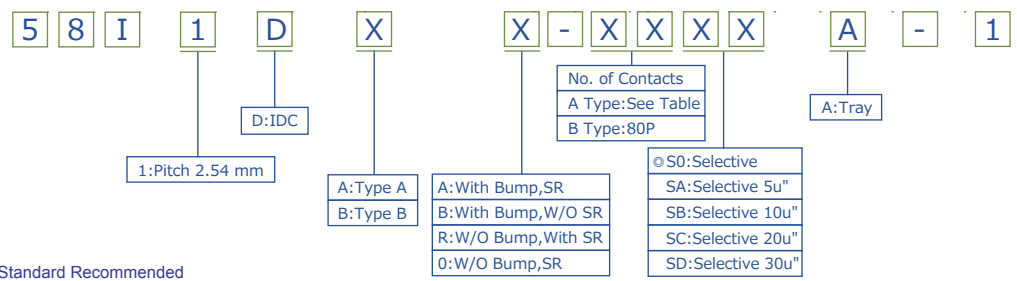
Material

Insulator:Polyester,UL 94V-0
 ©Standard:PBT
 Terminal:Copper Alloy



P/N.:581DBX-80XXA-1

ORDER INFORMATION



©Standard Recommended

Old P/N: IDC1-XX-L
 IDC1C-80-L