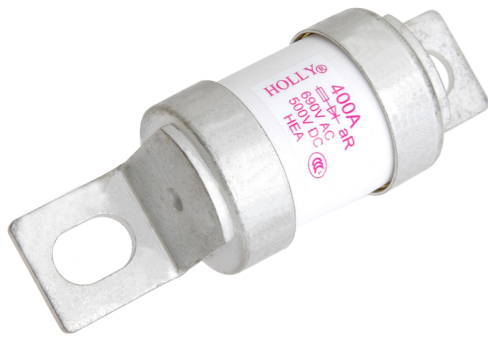




Your Power Safeguard™
您的电路安全卫士



HEA 6A-400A

Class of Operation: aR

保护特性: aR



Standard/ 标准: IEC 60269-4, GB/T 13539.4, UL248-13

INTERRUPTING CAPACITY / 分断能力:
80,000 amperes at 690V AC (6A-400A)
50,000 amperes at 500V DC (6A-400A)

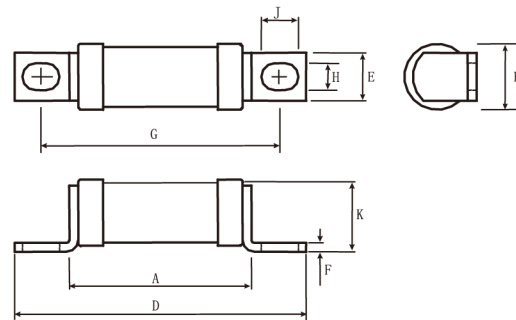
TECHNICAL PARAMETERS/ 技术参数:

CATALOG NO. 目录编号	CURRENT RATING 额定电流	SAFETY APPROVALS 安全认证	
		CCC	cURus
HEA6	6A	●	●
HEA10	10A	●	●
HEA12	12A	●	●
HEA16	16A	●	●
HEA20	20A	●	●
HEA25	25A	●	●
HEA32	32A	●	●
HEA35	35A	●	●
HEA40	40A	●	●
HEA45	45A	●	●
HEA50	50A	●	●
HEA63	63A	●	●
HEA80	80A	●	●
HEA90	90A	●	●
HEA100	100A	●	●
HEA125	125A	●	○
HEA160	160A	●	○
HEA180	180A	●	○
HEA200	200A	●	○
HEA225	225A	●	●
HEA250	250A	●	●
HEA280	280A	●	●
HEA315	315A	●	●
HEA350	350A	●	●
HEA400	400A	●	●

● DENOTES FOR APPROVAL ● 表示已取得安全认证
○ DENOTES FOR PENDING ○ 表示正在申请安全认证

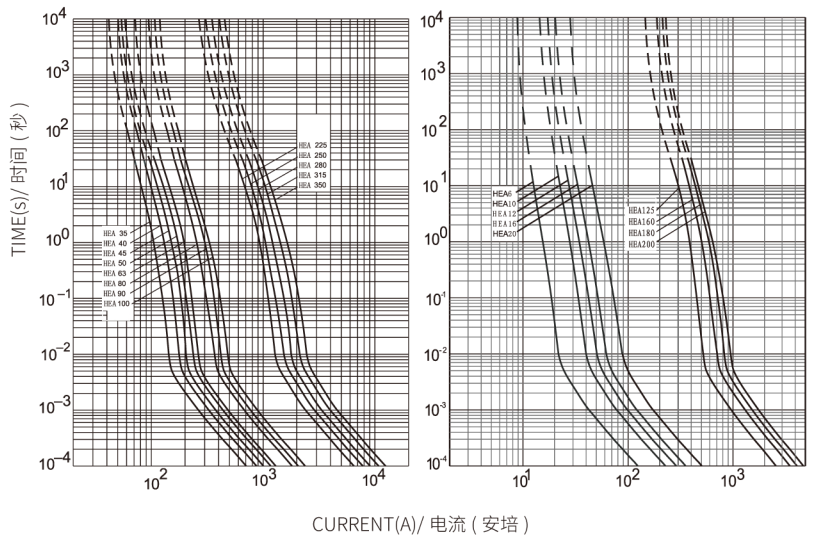
Dimensions/ 尺寸:

Unit 单位: mm



HEA 平均 I-T 曲线图 (仅供参考)

AVERAGE I-T CHARACTERISTICS CURVE
(FOR REFERENCE ONLY)



CURRENT RATING	A	B	D	E	F	G	H	J	K
6A to 100A	44.5	18.0	75.5	12.0	2.0	61	6.3	9.3	19.0
125A to 200A	50.5	27.0	90.5	20	3.0	70.5	9.0	11.0	28.0
225A to 400A	58	38.0	112	26.0	3.0	84.5	12.0	18.0	41.0