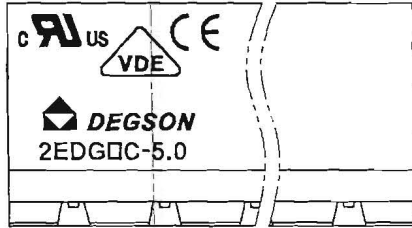
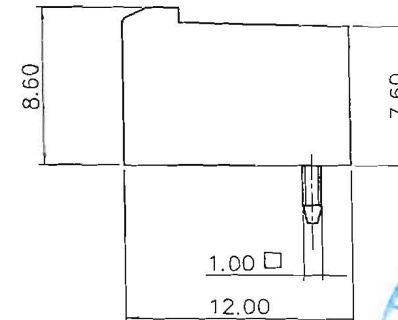
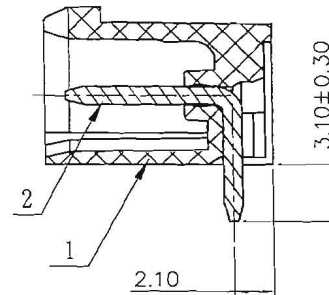
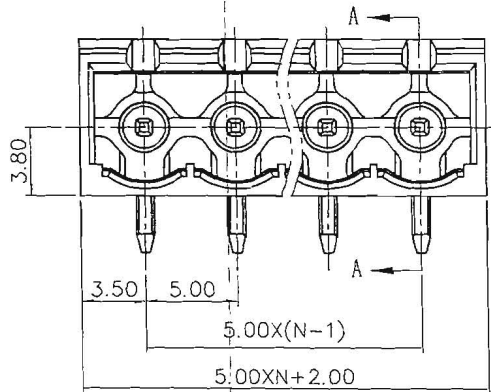


REVISION RECORD				
REV	ECN	DESCRIPTION	DRFT	DATE
△	13-0285	修改技术参数, 增加自动化针	XLM	12/23/13

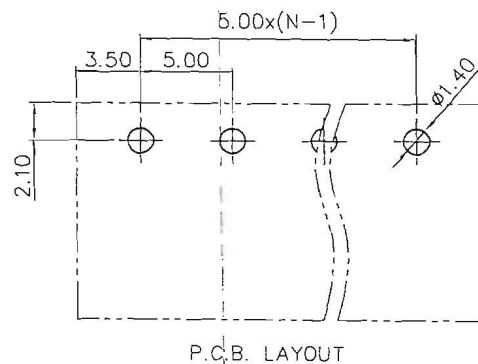


- △ NOTES:
1. DIMENSION SHALL BE INTERPRETED PER ASME Y14.5-2009.
 2. PITCH: 5.0MM, POLES: N=2-24P
 3. RATED VOLTAGE/CURRENT: UL 300V/15A
VDE 320V/20A
 4. OPERATION TEMPERATURES: -40°C~+105°C
 5. RATED IMPULSE VOLTAGE: 2500V
 6. INSULATION RESISTANCE: 5000MΩ/DC1000V
 7. UNDIMENSIONED TOLERANCES:

PITCH RANGE IN MM		NOMINAL DIMENSION RANGE IN MM					
OVER 6 TO TO 6	OVER 10 TO TO 10	OVER 24 TO TO 24	OVER 30 TO TO 30	OVER 60 TO TO 60	OVER 100 TO TO 100	OVER 150 TO TO 150	- C □
±0.10	±0.15	±0.25	±0.20	±0.30	±0.50	±0.70	±1.00 05/10



SEC A-A



P.C.B. LAYOUT

ITEM	NAME OF PART	NO. OF PART	Q'TY	MATERIAL	NOTES
2	2EDGRC-13A Pin	1008B00220(H)	N	COPPER	2-14P Automatic assembly
2	2EDGRC-13A Pin	1008B00150(H)	N	COPPER	2-24P Manual assembly
1	2EDGV/RC-5.0-100A-Housing	1019AOYXXM(H)	1	PA66	UL94V-0

DETACHED LISTS	← MM (INCH) →	MATERIAL:	宁波高正电子有限公司	
	TOLERANCES EXCEPT AS NOTED	FINISH:	DEGSON ® DEGSON ELECTRONICS CO., LTD	
	.X ± .XX ± .XXX ±	PART NO.:	NAME: 2EDGRC-5.0-XXP-1Y-100A(H)	
	.X* ± .XX* ± .XXX* ±	APPD: <i>Sean 12/26/13</i>	TITLE: ASSEMBLY DRAWING	
ANGLES ± 1°	CHKD: <i>Avon 12/24/13</i>	DRAWING NO.: 2EDGRC-5.0-E18	REV	T1
THIRD ANGLE PROJECTION	DRFT: COCO 05/14/11	DO NOT SCALE DRAWING	SCALE	1:1
			SHEET	1/1