

**MODERATE CONFIGURATION | ALUMINUM**

**SPECIFICATIONS**

**Overview**

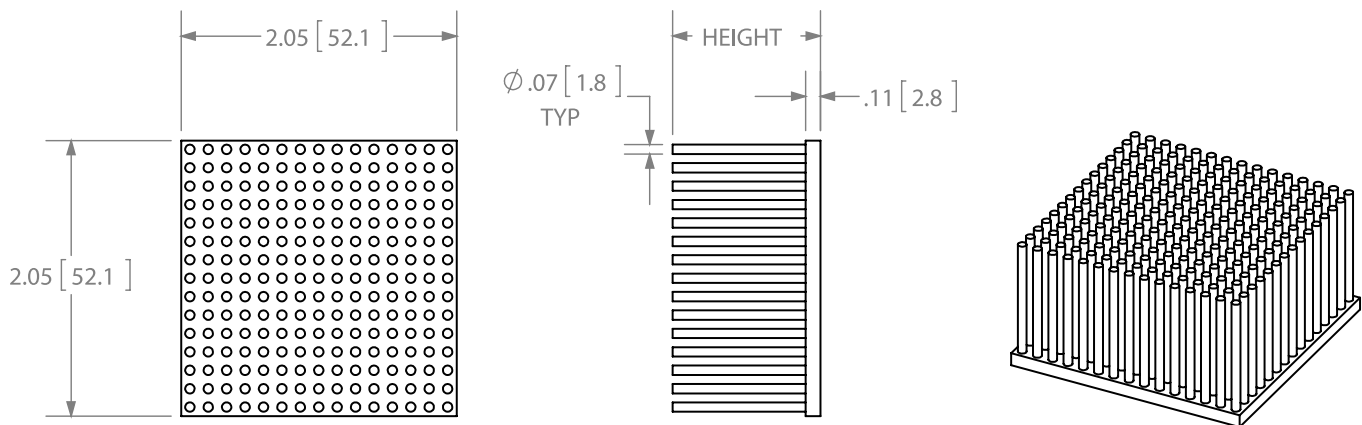
- Provides outstanding cooling power
- Omnidirectional
- Recommended airspeed range: 200 to 1,000 LFM (1 to 5 m/s)
- RoHS compliant

**Technical**

- Material: Pure Aluminum
- Mfg. process: Cold forging
- Plating options: Black/clear anodize, chemical conversion coating
- Base finish: Lapped  
Flatness: Better than 0.001 in/in  
Surface roughness: 16 RMS

**Attachment Methods**

- Mechanical clips (straight & diagonal)
- Double sided thermal tape
- Attachment tabs
- Push pins
- Holes & threads



**A FLEXIBLE APPROACH:** Parts can easily be modified to fit any application

P/N	Height in(mm)	Weight lb(g)	Thermal Resistance in °C/W			
			200(1)*	400(2)	600(3)	800(4)
3-202002U	0.20(5.1)	0.053(24)	6.97	4.21	3.02	2.36
3-202003U	0.30(7.6)	0.061(28)	3.92	2.22	1.55	1.20
3-202004U	0.40(10.2)	0.069(32)	2.74	1.52	1.06	0.81
3-202005U	0.50(12.7)	0.078(35)	2.11	1.16	0.81	0.62
3-202006U	0.60(15.2)	0.086(39)	1.73	0.94	0.65	0.51
3-202007U	0.70(17.8)	0.095(43)	1.46	0.79	0.55	0.43
3-202008U	0.80(20.3)	0.10(47)	1.27	0.69	0.48	0.38
3-202009U	0.90(22.9)	0.11(51)	1.12	0.61	0.43	0.34
3-202010U	1.00(25.4)	0.12(54)	1.01	0.55	0.39	0.30
3-202011U	1.10(27.9)	0.13(58)	0.91	0.50	0.35	0.28